



Chipsmall Limited consists of a professional team with an average of over 10 year of expertise in the distribution of electronic components. Based in Hongkong, we have already established firm and mutual-benefit business relationships with customers from,Europe,America and south Asia,supplying obsolete and hard-to-find components to meet their specific needs.

With the principle of “Quality Parts,Customers Priority,Honest Operation,and Considerate Service”,our business mainly focus on the distribution of electronic components. Line cards we deal with include Microchip,ALPS,ROHM,Xilinx,Pulse,ON,Everlight and Freescale. Main products comprise IC,Modules,Potentiometer,IC Socket,Relay,Connector.Our parts cover such applications as commercial,industrial, and automotives areas.

We are looking forward to setting up business relationship with you and hope to provide you with the best service and solution. Let us make a better world for our industry!



Contact us

Tel: +86-755-8981 8866 Fax: +86-755-8427 6832

Email & Skype: info@chipsmall.com Web: www.chipsmall.com

Address: A1208, Overseas Decoration Building, #122 Zhenhua RD., Futian, Shenzhen, China



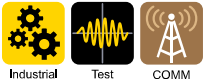
6A to 30A, 250VAC EMC Filters

Features

- ◆ Integrated Terminal Block With Captive Screws
- ◆ Compact Size
- ◆ DIN Rail Mount Accessory Kit
- ◆ Conforms to UL, CSA and EN Safety Agency Certifications

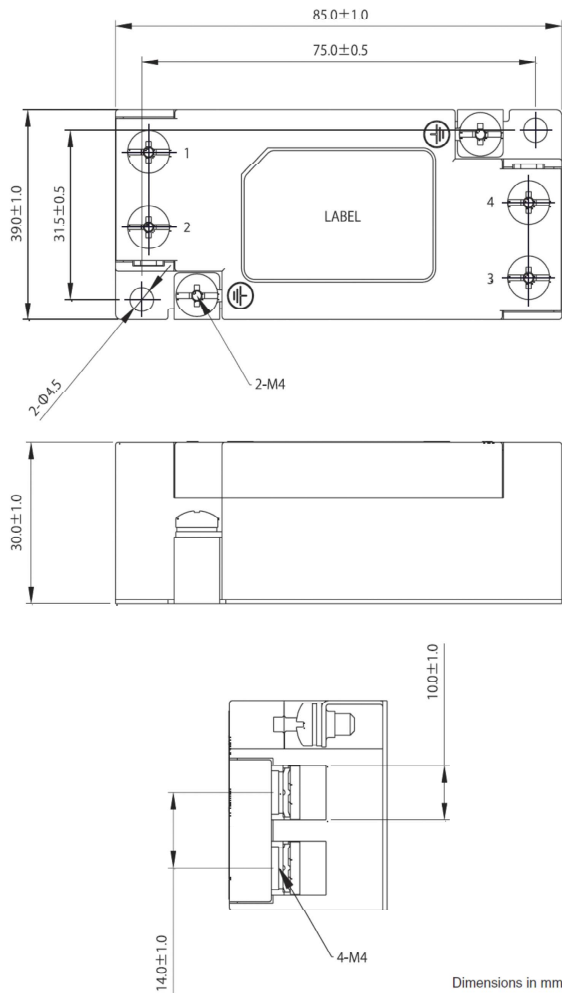


Key Market Segments & Applications



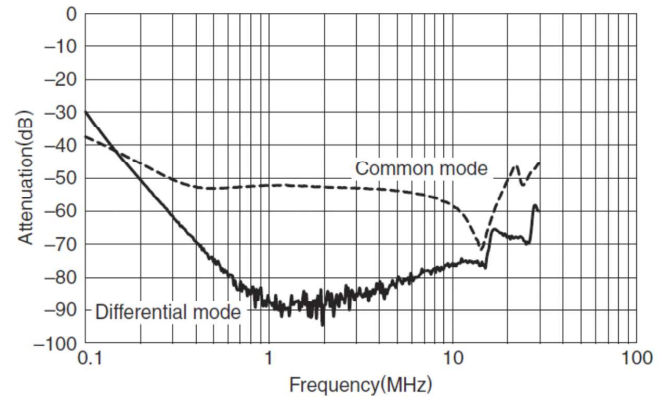
| Specifications | | RSEV-2006 | RSEV-2010 | RSEV-2016 | RSEV-2020 | RSEV-2030 |
|------------------------------|----|--|-----------|-----------|-----------|-----------|
| Rated Voltage (AC, DC) | V | 250V | | | | |
| Rated Current | A | 6A | 10A | 16A | 20A | 30A |
| Withstand Voltage | V | Terminals to Case: 2500VAC (1 Minute) | | | | |
| Isolation Resistance | MΩ | 100MΩ minimum (500VDC, 1 Minute) | | | | |
| Leakage Current (max) | A | 1mA (250VAC, 60Hz) | | | | |
| DC Resistance (total) | mΩ | 110 | 40 | 20 | 10 | 6 |
| Operating Temperature | °C | -25 to +85°C (Derate above 55°C, see derating curve) | | | | |
| Storage Temperature | °C | -25 to +85°C | | | | |
| Safety Agency Certifications | - | UL1283, CSA C22.2 No.8, EN60939-3 | | | | |
| Weight | g | 150g | | | | |
| Size (W x L x H) | mm | 39 x 85 x 30mm | | | | |
| Warranty | yr | 5 Year | | | | |

Outline Drawings

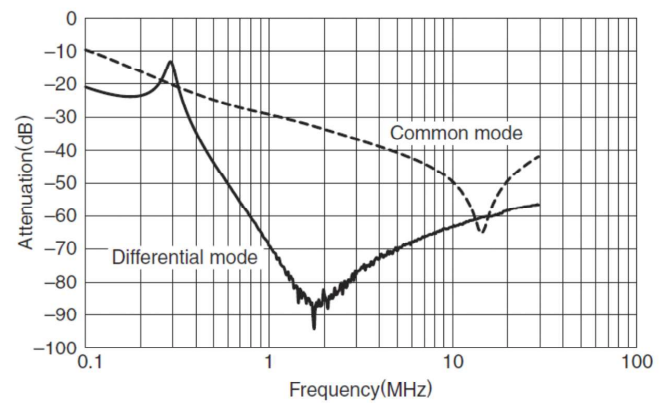


Attenuation Characteristics

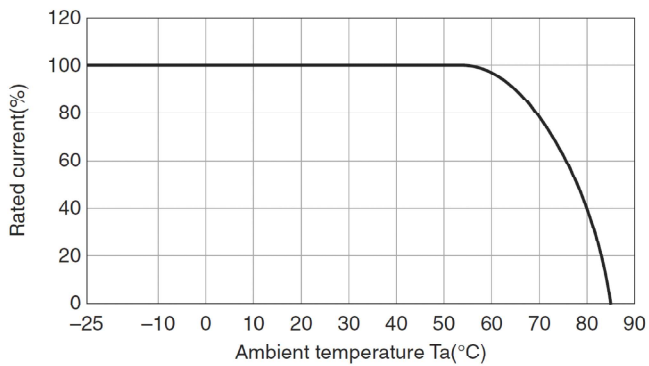
RSEV-2006



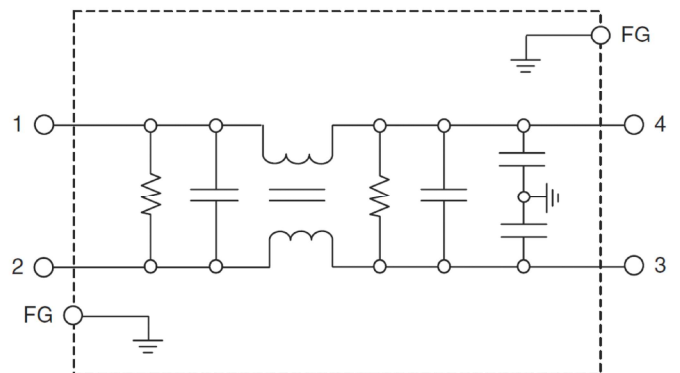
RSEV-2030



Derating



Circuit



Accessory

DIN Rail Mounting Kit

DIN-RSEV

For Additional Information, please visit us.tdk-lambda.com/lp/products/r-series.htm

