



Chipsmall Limited consists of a professional team with an average of over 10 year of expertise in the distribution of electronic components. Based in Hongkong, we have already established firm and mutual-benefit business relationships with customers from,Europe,America and south Asia,supplying obsolete and hard-to-find components to meet their specific needs.

With the principle of “Quality Parts,Customers Priority,Honest Operation,and Considerate Service”,our business mainly focus on the distribution of electronic components. Line cards we deal with include Microchip,ALPS,ROHM,Xilinx,Pulse,ON,Everlight and Freescale. Main products comprise IC,Modules,Potentiometer,IC Socket,Relay,Connector.Our parts cover such applications as commercial,industrial, and automotives areas.

We are looking forward to setting up business relationship with you and hope to provide you with the best service and solution. Let us make a better world for our industry!



Contact us

Tel: +86-755-8981 8866 Fax: +86-755-8427 6832

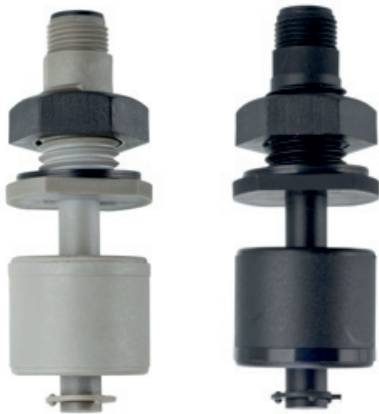
Email & Skype: info@chipsmall.com Web: www.chipsmall.com

Address: A1208, Overseas Decoration Building, #122 Zhenhua RD., Futian, Shenzhen, China



RSF150 Series

Compact Internal Fitting Vertical Switch



- Electrical connection via M12 connector
- Available in Nylon, Polypropylene, PPS & PVDF
- 25VA & 100VA versions
- Many variants are UL recognised components
File No. E171218
- WRAS approved versions

| Technical Specification | RSF153 | RSF154 | RSF158 | RSF156 | RSF157 |
|-------------------------|-----------|--------------------------------|------------------------------|---------------------------------|-----------------------------------|
| Material | Nylon | Polypropylene WRAS approved | Polypropylene UL approved | Polyphenylene Sulphide (PPS) | Polyvinylidene Fluoride (PVDF) |
| Colour | Black | Opaque | White | Grey | Green |
| Temp. Range °C | -20 / +75 | -20 / +100 | -20 / +100 | -10 / +105 | -10 / +105 |
| °F | -4 / +167 | -4 / +212 | -4 / +212 | +14 / +221 | +14 / +221 |
| Min. Fluid SG | 0.8 | 0.65 | 0.8 | 0.85 | 0.85 |
| Must close level (SG=1) | 11.5mm | 15mm | 15mm | 9.5mm | 9.5mm |
| Must open level (SG=1) | 22.5mm | 26mm | 26mm | 20.5mm | 20.5mm |

The RSF150 series are compact vertically mounted devices with a single switch point. Mounting is either from the top or bottom of a tank from the inside, so requires access to the inside of the tank.

These have M12 circular connectors for electrical connection.

Cables are available for use with M12 connectors.

Typical applications include vending machines, printing systems and chemical dosing equipment.

These can be manufactured in a variety of plastics, with a choice of gasket materials, to suit most commonly used liquids.

The switch action may be reversed by removing the float, inverting it, then refitting to the stem.

| Electrical Specification | 25W (Y code) | 100W (H code) |
|--------------------------|--------------|---------------|
| Contact Form | N/O (N/C) | N/O (N/C) |
| Switching Power Max | VA | 25 |
| Switching Voltage AC Max | V | 240 |
| Switching Voltage DC Max | V | 120 |
| Switching Current Max | A | 0.6 |

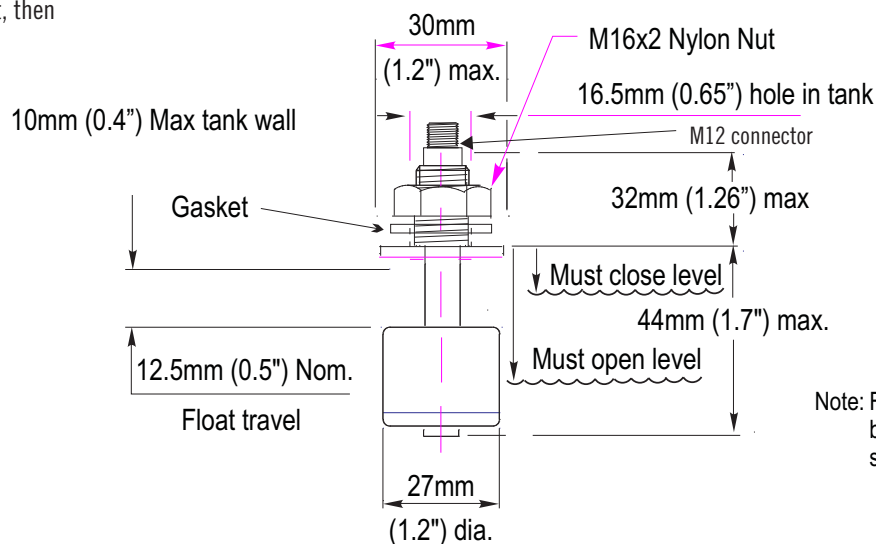
All ratings are for resistive load only.

| Standard Parts | Material | Temp Range | Max Power | Connection | Gasket | Approvals |
|----------------|---------------|-----------------|-----------|--------------|---------|-----------|
| RSF153HFP | Nylon | -20°C to +75°C | 100VA | M12 circular | Nitrile | WRAS |
| RSF153YFP | Nylon | -20°C to +75°C | 25A | M12 circular | Nitrile | WRAS |
| RSF154HFP | Polypropylene | -20°C to +100°C | 100VA | M12 circular | Nitrile | WRAS |
| RSF154YFP | Polypropylene | -20°C to +100°C | 25VA | M12 circular | Nitrile | WRAS |
| RSF156HFP | PPS | -10°C to +105°C | 100VA | M12 circular | Nitrile | WRAS |
| RSF156YFP | PPS | -10°C to +105°C | 25VA | M12 circular | Nitrile | WRAS |
| RSF157HFP | PVDF | -10°C to +105°C | 100VA | M12 circular | Nitrile | UL* |
| RSF157YFP | PVDF | -10°C to +105°C | 25VA | M12 circular | Nitrile | UL* |
| RSF157HGP | PVDF | -10°C to +105°C | 100VA | M12 circular | Viton | UL* |
| RSF157YGP | PVDF | -10°C to +105°C | 25VA | M12 circular | Viton | UL* |
| RSF158HFP | PP (UL) | -20°C to +100°C | 100VA | M12 circular | Nitrile | UL |
| RSF158YFP | PP (UL) | -20°C to +100°C | 25VA | M12 circular | Nitrile | UL |

Custom versions can be made for particular applications. Please contact Cynergy3 with your requirements. * UL approval pending

Mechanical Dimensions

All dimensions are in millimeters (inches)



Switch on Pins 1 & 2

Note: Float Chamber may be inverted for alternative switch action.

Cynergy3 Components Ltd.
7 Cobham Road
Ferndown Industrial Estate
Wimborne, Dorset BH21 7PE
Telephone +44 (0) 1202 897969
Email: sales@cynergy3.com

ISO9001 CERTIFIED

RSF150 2016

www.cynergy3.com