



Chipsmall Limited consists of a professional team with an average of over 10 year of expertise in the distribution of electronic components. Based in Hongkong, we have already established firm and mutual-benefit business relationships with customers from,Europe,America and south Asia,supplying obsolete and hard-to-find components to meet their specific needs.

With the principle of “Quality Parts,Customers Priority,Honest Operation,and Considerate Service”,our business mainly focus on the distribution of electronic components. Line cards we deal with include Microchip,ALPS,ROHM,Xilinx,Pulse,ON,Everlight and Freescale. Main products comprise IC,Modules,Potentiometer,IC Socket,Relay,Connector.Our parts cover such applications as commercial,industrial, and automotives areas.

We are looking forward to setting up business relationship with you and hope to provide you with the best service and solution. Let us make a better world for our industry!



Contact us

Tel: +86-755-8981 8866 Fax: +86-755-8427 6832

Email & Skype: info@chipsmall.com Web: www.chipsmall.com

Address: A1208, Overseas Decoration Building, #122 Zhenhua RD., Futian, Shenzhen, China





RSF20 Series

Low level switch for boiling water



- **Pivot out of liquid**
- **Low level switch position**
- **WRAS approved for use in hot & cold water**
- **Many variants are UL recognised components File No. E171218**
- **Flying lead or M12 connector**

Technical Specification

Material	Polyphenylene Sulphide (PPS)
Colour	Grey
Temp. Range °C	-10 / +120 *
°F	+14 / +248 *
Minimum liquid SG	0.80
Must close level (SG=1)	9mm
Must open level (SG=1)	24mm

* Maximum temperature requires ETFE cable to be specified.

The RSF20 is designed to eliminate the problems associated with limescale build up around the pivot point on a conventional float switch.

This particular series is primarily for applications where a low level condition has to be monitored, in a system where the liquid is usually maintained at a high level, or where a wider differential is required between the opening and closing levels.

The extended drop float actuator allows the switch housing and float pivots to be located above the surface of the liquid, while the excess buoyancy of the float chamber itself ensures that it floats, even when scale builds up on the float chamber.

Typical applications include wall kettles and hot vending machines.

The switch is closed when the level is low(float down) and opens as the liquid level rises. Version are available with either flying leads or M12 circular connector. Cables are available for use with M12 connection versions.

Electrical Specification

Electrical Specification	25W (Y code)	100W (H code)
Contact Form	N/C	N/C
Switching Power Max VA	25	100
Switching Voltage AC Max V	240	300
Switching Voltage DC Max V	120	300
Switching Current Max A	0.6	1

All ratings are for resistive load only.

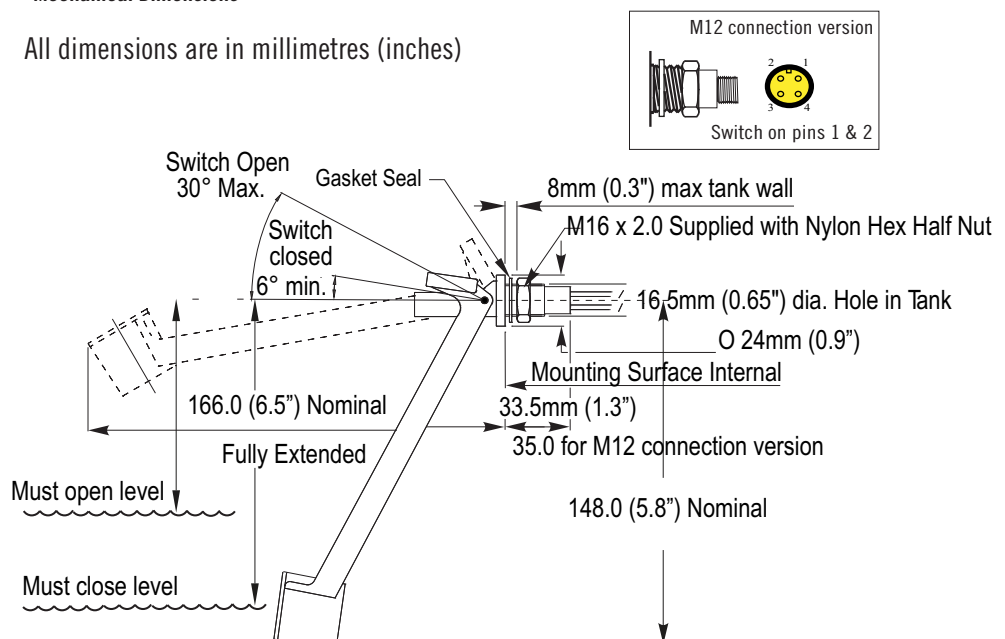
Standard Parts

Standard Parts	Material	Approvals	Max Power	Leadouts	Gasket
RSF26H050TG	PPS	WRAS & UL	100VA	50cm ETFE 19/0.2	Viton
RSF26H100RF	PPS	WRAS & UL	100VA	1 metre PVC 16/0.2	Nitrile
RSF26Y050TG	PPS	WRAS & UL	25VA	50cm ETFE 19/0.2	Viton
RSF26Y100RF	PPS	WRAS & UL	25VA	1 metre PVC 16/0.2	Nitrile
RSF26HFP	PPS	WRAS & UL	100VA	M12 connector	Nitrile
RSF26YFP	PPS	WRAS & UL	25VA	M12 connector	Nitrile

Custom versions can be made for particular applications. Please contact Cynergy3 with your requirements.

Mechanical Dimensions

All dimensions are in millimetres (inches)



Cynergy3 Components Ltd.
7 Cobham Road
Ferndown Industrial Estate
Wimborne, Dorset BH21 7PE
Telephone +44 (0) 1202 897969
Email:sales@cynergy3.com

ISO9001 CERTIFIED

www.cynergy3.com