



Chipsmall Limited consists of a professional team with an average of over 10 year of expertise in the distribution of electronic components. Based in Hongkong, we have already established firm and mutual-benefit business relationships with customers from,Europe,America and south Asia,supplying obsolete and hard-to-find components to meet their specific needs.

With the principle of “Quality Parts,Customers Priority,Honest Operation,and Considerate Service”,our business mainly focus on the distribution of electronic components. Line cards we deal with include Microchip,ALPS,ROHM,Xilinx,Pulse,ON,Everlight and Freescale. Main products comprise IC,Modules,Potentiometer,IC Socket,Relay,Connector.Our parts cover such applications as commercial,industrial, and automotives areas.

We are looking forward to setting up business relationship with you and hope to provide you with the best service and solution. Let us make a better world for our industry!



Contact us

Tel: +86-755-8981 8866 Fax: +86-755-8427 6832

Email & Skype: info@chipsmall.com Web: www.chipsmall.com

Address: A1208, Overseas Decoration Building, #122 Zhenhua RD., Futian, Shenzhen, China





RSF30 Series

100VA Internal fitting switch

- 100VA contacts
- Rugged design
- WRAS approved versions
- Many variants are UL recognised components File No. E171218



Technical Specification	RSF33	RSF34
Material	Nylon	Polypropylene WRAS approved
Colour	Black	Opaque
Temp. Range °C	-20 / +75	-20 / +100
°F	-4 / +167	-4 / +212
Min. Fluid SG	0.85	0.85
Must close level (SG=1)	20mm	23mm
Must open level (SG=1)	47mm	52mm

Electrical Specification	100W
Contact Form	N/O (N/C)
Switching Power Max	100 VA
Switching Voltage AC Max	300 V
Switching Voltage DC Max	300 V
Switching Current Max	3 A

All ratings are for resistive load only.

Standard Parts	Material	Max Power	Leadouts	Gasket	Approvals
RSF33W100RC	Nylon	100VA	100cm PVC 16/0.2	Nitrile	WRAS
RSF34W100RF	Polypropylene	100VA	100cm PVC 16/0.2	Nitrile	

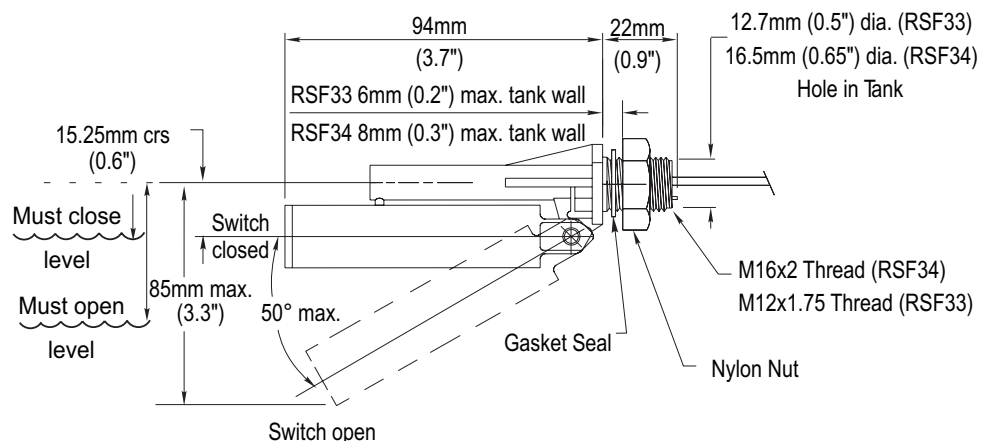
The RSF30 is a higher power side entry, internally fitted switch. These may be used for directly switching some small loads of less than 100VA. Fitting of this type requires access to the inside of the tank.

Available in Nylon or Polypropylene.

The switch action may be reversed by rotating the device through 180°.

Custom versions can be made for particular applications. Please contact Cynergy3 with your requirements.

Mechanical Dimensions



Cynergy3 Components Ltd.
7 Cobham Road
Ferndown Industrial Estate
Wimborne, Dorset BH21 7PE
Telephone +44 (0) 1202 897969

Email: sales@cynergy3.com

ISO9001 CERTIFIED

www.cynergy3.com