



Chipsmall Limited consists of a professional team with an average of over 10 year of expertise in the distribution of electronic components. Based in Hongkong, we have already established firm and mutual-benefit business relationships with customers from,Europe,America and south Asia,supplying obsolete and hard-to-find components to meet their specific needs.

With the principle of “Quality Parts,Customers Priority,Honest Operation,and Considerate Service”,our business mainly focus on the distribution of electronic components. Line cards we deal with include Microchip,ALPS,ROHM,Xilinx,Pulse,ON,Everlight and Freescale. Main products comprise IC,Modules,Potentiometer,IC Socket,Relay,Connector.Our parts cover such applications as commercial,industrial, and automotives areas.

We are looking forward to setting up business relationship with you and hope to provide you with the best service and solution. Let us make a better world for our industry!



## Contact us

Tel: +86-755-8981 8866 Fax: +86-755-8427 6832

Email & Skype: info@chipsmall.com Web: www.chipsmall.com

Address: A1208, Overseas Decoration Building, #122 Zhenhua RD., Futian, Shenzhen, China





# RSF70 Series

## Compact External Fitting via Compression Seal



The RSF70 series is designed for fitting through a tank wall from the outside, where access to the inside for fitting is not possible.

Typical applications include vending machines, commercial dishwashers and auxiliary tanks on vehicles.

These are manufactured in a variety of plastics, with a choice of gasket materials, to suit most commonly used liquids.

The switch action may be reversed by mounting the device with the float able to move upwards away from the body, instead of the more normal downwards direction.

Available with either flying leads or M12 socket for electrical connection. Cable sets with M12 plugs are also available.

- Compression seal fitting
- Flying Lead or M12 plug connection
- Available in Nylon, Polypropylene, PPS & PVDF
- 25VA & 100VA versions available
- Many variants are UL recognised components  
File No. E171218
- WRAS Approved versions available



Technical Specification	RSF73	RSF74	RSF78	RSF76	RSF77
Material	Nylon	Polypropylene	Polypropylene	Polyphenylene Sulphide (PPS)	Polyvinylidene Fluoride (PVDF)
Colour	Black	WRAS approved Opaque	UL approved White	Grey	Green
Temp. Range °C	-20 / +75	-20 / +100	-20 / +100	-10 / +120 *	-10 / +105
°F	-4 / +167	-4 / +212	-4 / +212	+14 / +248 *	-14 / +221
Min. Fluid SG	0.85	0.85	0.80	0.85	0.85
Must close level (SG=1)	7mm	8mm	8mm	9mm	9mm
Must open level (SG=1)	20mm	20mm	20mm	24mm	24mm

\* Maximum temperature requires ETFE cable to be specified.

Electrical Specification	25W (Y code)	100W (H code)
Contact Form	N/O (N/C)	N/O (N/C)
Switching Power Max	VA	100
Switching Voltage AC Max	V	300
Switching Voltage DC Max	V	300
Switching Current Max	A	1

All ratings are for resistive load only.

Standard Parts	Material	Max Power	Leadouts	Gasket	Approvals
RSF73H100RN	Nylon	100VA	100cm PVC 16/0.2	Nitrile	WRAS
RSF73Y100RN	Nylon	25VA	100cm PVC 16/0.2	Nitrile	WRAS
RSF73Y100RM	Nylon	25VA	100cm PVC 16/0.2	Silicone	WRAS
RSF74H100RN	Polypropylene	100VA	100cm PVC 16/0.2	Nitrile	WRAS
RSF74Y100RN	Polypropylene	25VA	100cm PVC 16/0.2	Nitrile	WRAS
RSF74Y100RM	Polypropylene	25VA	100cm PVC 16/0.2	Silicone	WRAS
RSF76H050TV	PPS	100VA	50cm ETFE 19/0.2	Viton	WRAS & UL
RSF76H100RN	PPS	100VA	100cm PVC 16/0.2	Nitrile	WRAS & UL
RSF76Y050TV	PPS	25VA	50cm ETFE 19/0.2	Viton	WRAS & UL
RSF76Y100TV	PPS	25VA	100cm ETFE 19/0.2	Viton	WRAS & UL
RSF76Y100RN	PPS	25VA	100cm PVC 16/0.2	Nitrile	WRAS & UL
RSF77Y100GN	PVDF	25VA	100cm PTFE 7/0.2	Nitrile	UL*
RSF77H100GN	PVDF	100VA	100cm PTFE 7/0.2	Nitrile	UL*
RSF77Y100GV	PVDF	25VA	100cm PTFE 7/0.2	Viton	UL*
RSF77H100GV	PVDF	100VA	100cm PTFE 7/0.2	Viton	UL*
RSF78H100RN	PP (UL)	100VA	100cm PVC 16/0.2	Nitrile	UL
RSF78Y100RN	PP (UL)	25VA	100cm PVC 16/0.2	Nitrile	UL
RSF73HNP	Nylon	100VA	M12 connection	Nitrile	WRAS
RSF73YNP	Nylon	25VA	M12 connection	Nitrile	WRAS
RSF74HNP	Polypropylene	100VA	M12 connection	Nitrile	WRAS
RSF74YNP	Polypropylene	25VA	M12 connection	Nitrile	WRAS
RSF76HNP	PPS	100VA	M12 connection	Nitrile	WRAS & UL
RSF76YNP	PPS	25VA	M12 connection	Nitrile	WRAS & UL
RSF77HNP	PVDF	100VA	M12 connection	Nitrile	UL*
RSF77YNP	PVDF	25VA	M12 connection	Nitrile	UL*
RSF77HVP	PVDF	100VA	M12 connection	Viton	UL*
RSF77YVP	PVDF	25VA	M12 connection	Viton	UL*
RSF78HNP	PP (UL)	100VA	M12 connection	Nitrile	UL
RSF78YNP	PP (UL)	25VA	M12 connection	Nitrile	UL

Custom versions can be made for particular applications. Please contact Cynergy3 with your requirements.

\* UL approval pending

Cynergy3 Components Ltd.  
7 Cobham Road  
Ferndown Industrial Estate  
Wimborne, Dorset BH21 7PE  
Telephone +44 (0) 1202 897969  
Email:sales@cynergy3.com  
www.cynergy3.com

ISO9001 CERTIFIED

RSF70 2016

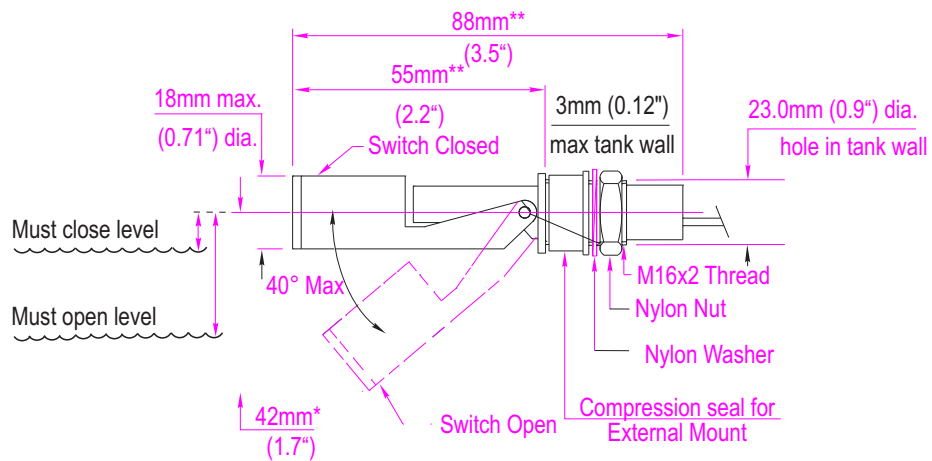
www.cynergy3.com



# RSF70 Series

## Compact External Fitting via Compression Seal

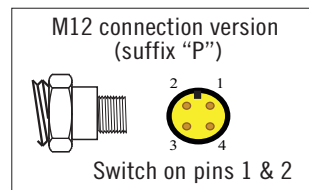
### Mechanical Dimensions



\* 49mm RSF76 & RSF77

\*\* Add 10mm to dims. RSF76 & RSF77

### Electrical Connections



Cynergy3 Components Ltd.  
7 Cobham Road  
Ferndown Industrial Estate  
Wimborne, Dorset BH21 7PE  
Telephone +44 (0) 1202 897969  
Email: sales@cynergy3.com  
www.cynergy3.com

ISO9001 CERTIFIED

www.cynergy3.com