



Chipsmall Limited consists of a professional team with an average of over 10 year of expertise in the distribution of electronic components. Based in Hongkong, we have already established firm and mutual-benefit business relationships with customers from,Europe,America and south Asia,supplying obsolete and hard-to-find components to meet their specific needs.

With the principle of “Quality Parts,Customers Priority,Honest Operation,and Considerate Service”,our business mainly focus on the distribution of electronic components. Line cards we deal with include Microchip,ALPS,ROHM,Xilinx,Pulse,ON,Everlight and Freescale. Main products comprise IC,Modules,Potentiometer,IC Socket,Relay,Connector.Our parts cover such applications as commercial,industrial, and automotives areas.

We are looking forward to setting up business relationship with you and hope to provide you with the best service and solution. Let us make a better world for our industry!



Contact us

Tel: +86-755-8981 8866 Fax: +86-755-8427 6832

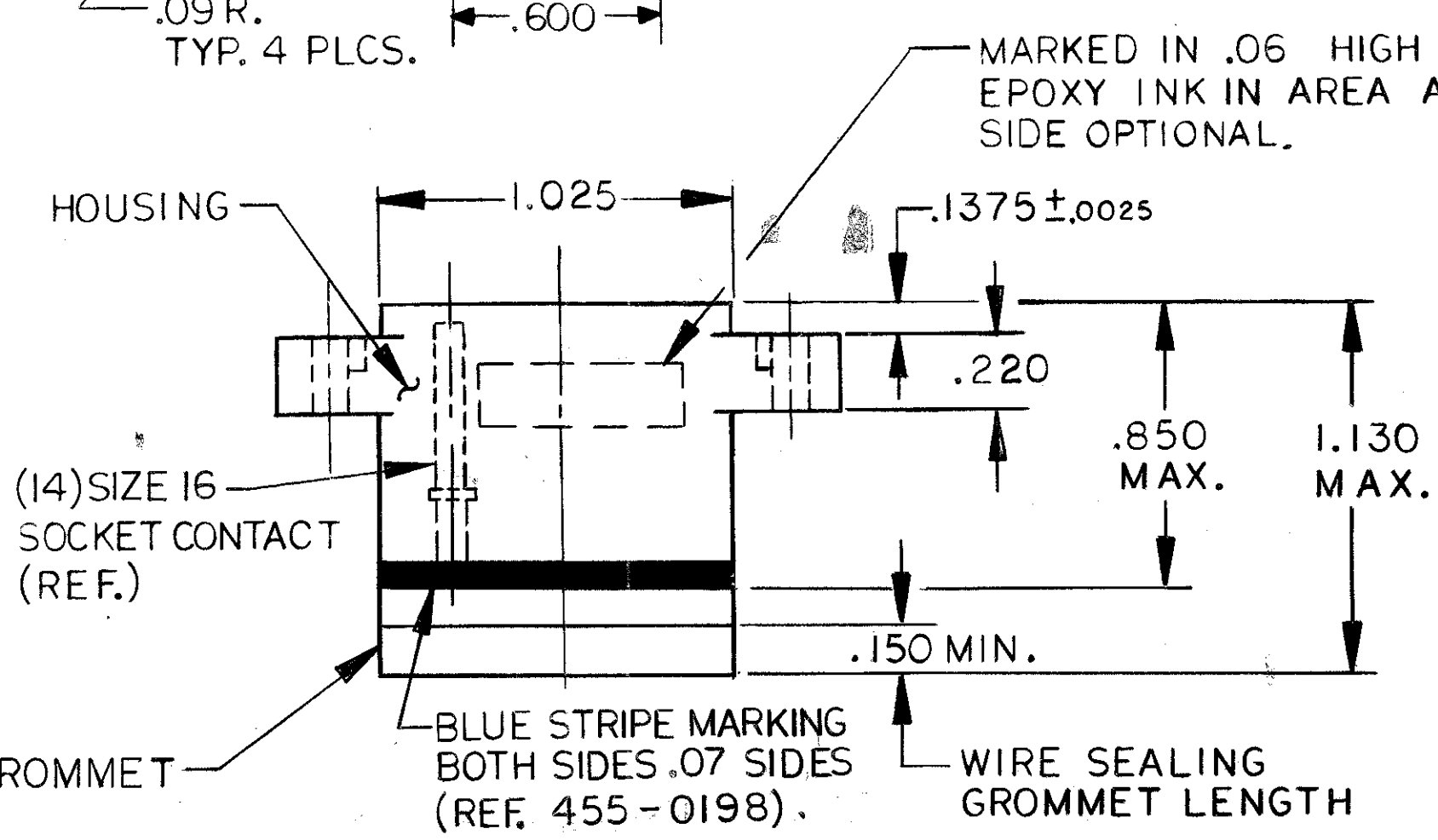
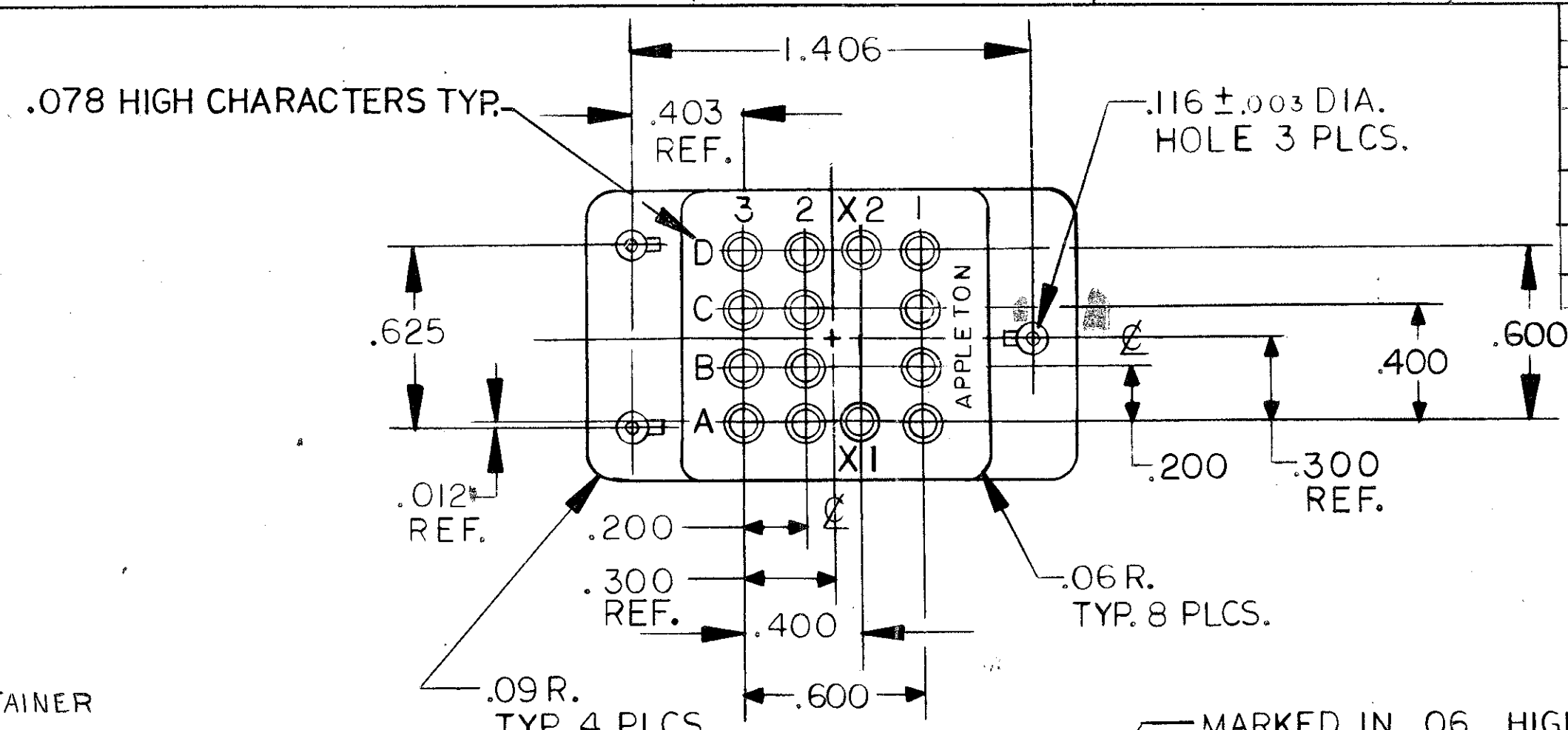
Email & Skype: info@chipsmall.com Web: www.chipsmall.com

Address: A1208, Overseas Decoration Building, #122 Zhenhua RD., Futian, Shenzhen, China



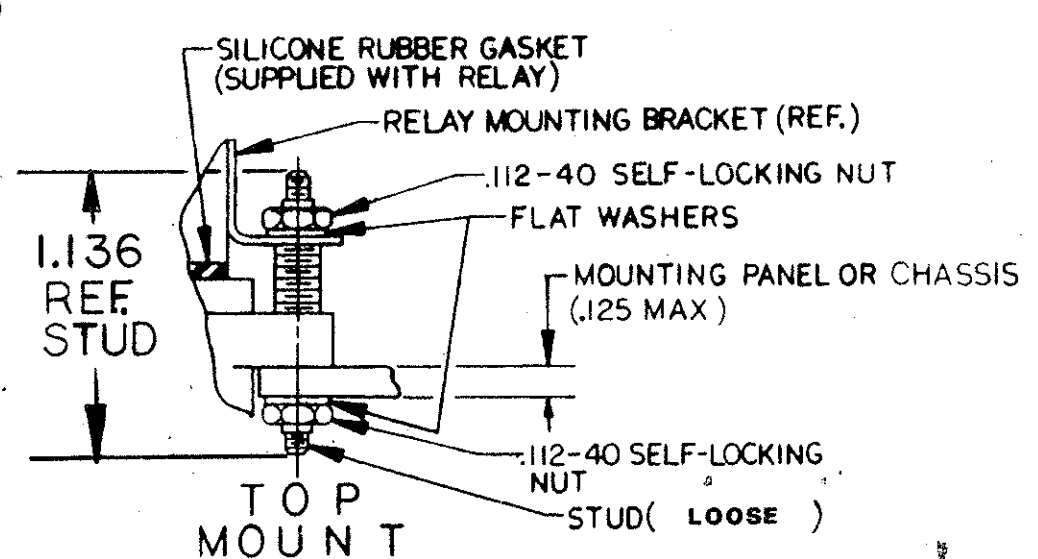
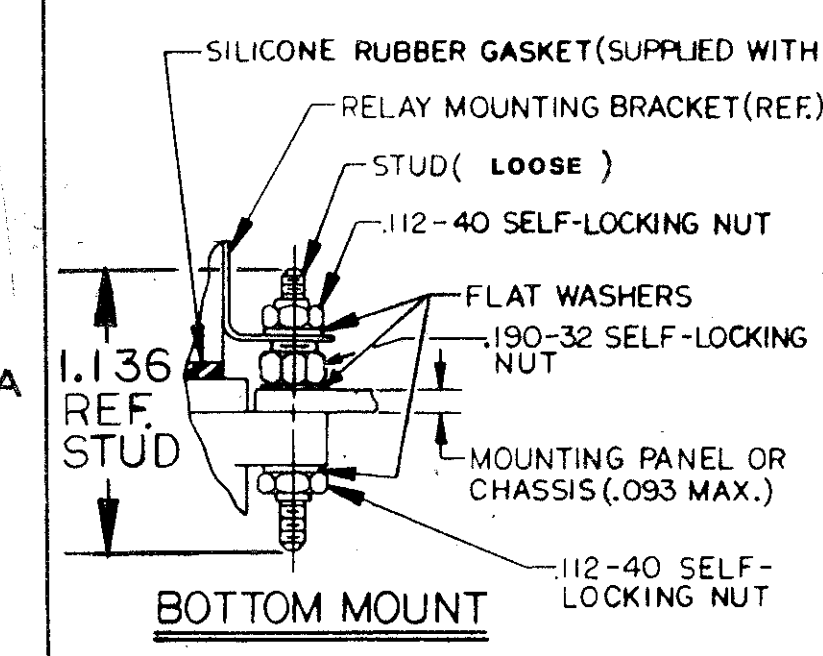
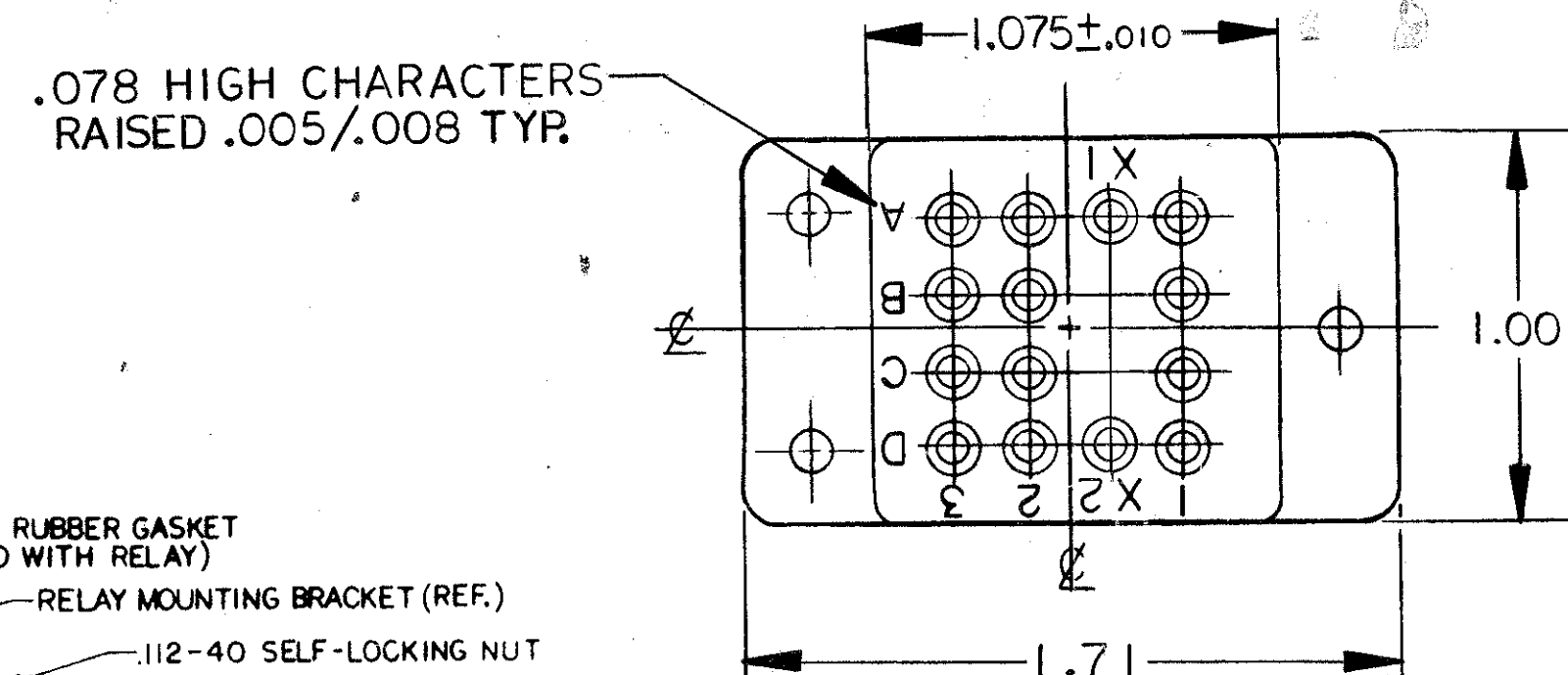
- NOTES**
- HOUSING SHALL BE THERMOSETTING MOLDING MATERIAL PER MIL-M-14, TYPE SDG-F COLOR: GREEN.
 - SEALING GROMMET MATERIAL SHALL BE SILICONE RUBBER PER ZZ-R-765 COLOR: RED.
 - SOCKET CONTACT SHALL BE COPPER ALLOY GOLD PLATED PER MIL-G-45204, TYPE II, GRADE C, CLASS I.
 - STUD MATERIAL AND MOUNTING HARDWARE SHALL BE STAINLESS STEEL PASSIVATED UNLESS OTHERWISE SPECIFIED.
 - SOCKET CONTACTS ARE OF CLOSED ENTRY TYPE AND DESIGNED TO COMPLY WITH TEST REQUIREMENTS OF MIL-C-39029 INCLUDING CRIMP TERMINATION.
 - M22520/1-01 CRIMP TOOL AND M22520/1-02 POSITIONER SHALL BE USED TO TERMINATE SOCKET CONTACTS TO THEIR RESPECTIVE WIRE SIZES.
 - M81969/14-03 AND TOOL(S) SHALL BE USED FOR INSERTING AND REMOVING WIRED SOCKET CONTACTS.
 - ALL HARDWARE SUPPLIED UNASSEMBLED IN SEPARATE BAG WITHIN SOCKET PACKAGE.
 - CONTACTS SUPPLIED UNASSEMBLED IN SEPARATE RIGID CONTAINER WITHIN SOCKET PACKAGE SEE TABLE.
 - WEIGHT: .132 LBS (60g) MAX., INCLUDING HARDWARE AND CONTACTS.
 - INSTALLATION TORQUE REQUIREMENTS:
THREAD SIZE .112-40 = 4 ± 1.0 IN. - LBS.
THREAD SIZE .190-32 = 18 ± 1.0 IN. - LBS.
 - THE SEALING GROMMET IS DESIGNED TO SEAL OVER THE FOLLOWING WIRE DIA'S: SIZE 16 .065 MIN. TO .109 MAX.
 - UNIT PACKAGE RELAY SOCKET PER EC-034, TYPE II.

REVISION				
LTR	ECN	DESCRIPTION	DATE	APPD
-	827	RELEASE PER ECN	9/5/86	JAC
A	1155	UPDATED TO NEW MILITARY NUMBERS	11/6/87	JAC
B	1177	M12883/40-01 VAS M12883/40C-01	12/11/87	JAC
C	1199	ADDED NOTE #13 CHANGED NOTE #9	2/11/88	JAC
D	2414	ADD "J" DESIGNATION	9/5/95	JAC



~~M12883/40-01~~
~~MFR 58982~~
~~RSL116078~~
~~PCD DATE CODE~~
(BOTH PART NUMBERS TO BE MARKED THE SAME.)

"M12883/40-01
J 58982 XXXX
RSL116078
PCD"
DATE CODE



RSL116079	14 SZ. 16/16 SKT. CNT	CNS511600
RSL116078	NONE	//
PCD PART NUMBER	CONTACTS SUPPLIED	CONTACT PART NUMBER

DIMENSIONS ARE IN: INCHES		
USED ON MS27709-2 MR83726 MS27400	TOLERANCES: .X ± .XX ± .01 .XXX ± .005 .XXXX ±	ANGLES: ± 2°
ENG. R. Casarosa	DRAWN BY R. Casarosa	DATE 8-19-86
PROD. ENG. J. Casarosa	CHECKED BY J. Casarosa	DATE 9-4-86
BY DIRECTION OF W. K. K. K.	APPROVED BY W. K. K. K.	DATE 9-5-86

PRECISION CONNECTOR DESIGNS INC. WINCHESTER, MA 01890		TITLE: M12883/40-01 RELAY SOCKET 14 POSITION SIZE 16/16	
MATERIAL: SEE NOTES 1 THRU 4	FINISH: //	CODE IDENT: 58982	PART NUMBER: RSL116078
SCALE: 2 TO 1		SHEET: 1 OF 1	