



Chipsmall Limited consists of a professional team with an average of over 10 year of expertise in the distribution of electronic components. Based in Hongkong, we have already established firm and mutual-benefit business relationships with customers from,Europe,America and south Asia,supplying obsolete and hard-to-find components to meet their specific needs.

With the principle of “Quality Parts,Customers Priority,Honest Operation,and Considerate Service”,our business mainly focus on the distribution of electronic components. Line cards we deal with include Microchip,ALPS,ROHM,Xilinx,Pulse,ON,Everlight and Freescale. Main products comprise IC,Modules,Potentiometer,IC Socket,Relay,Connector.Our parts cover such applications as commercial,industrial, and automotives areas.

We are looking forward to setting up business relationship with you and hope to provide you with the best service and solution. Let us make a better world for our industry!



## Contact us

Tel: +86-755-8981 8866 Fax: +86-755-8427 6832

Email & Skype: info@chipsmall.com Web: www.chipsmall.com

Address: A1208, Overseas Decoration Building, #122 Zhenhua RD., Futian, Shenzhen, China



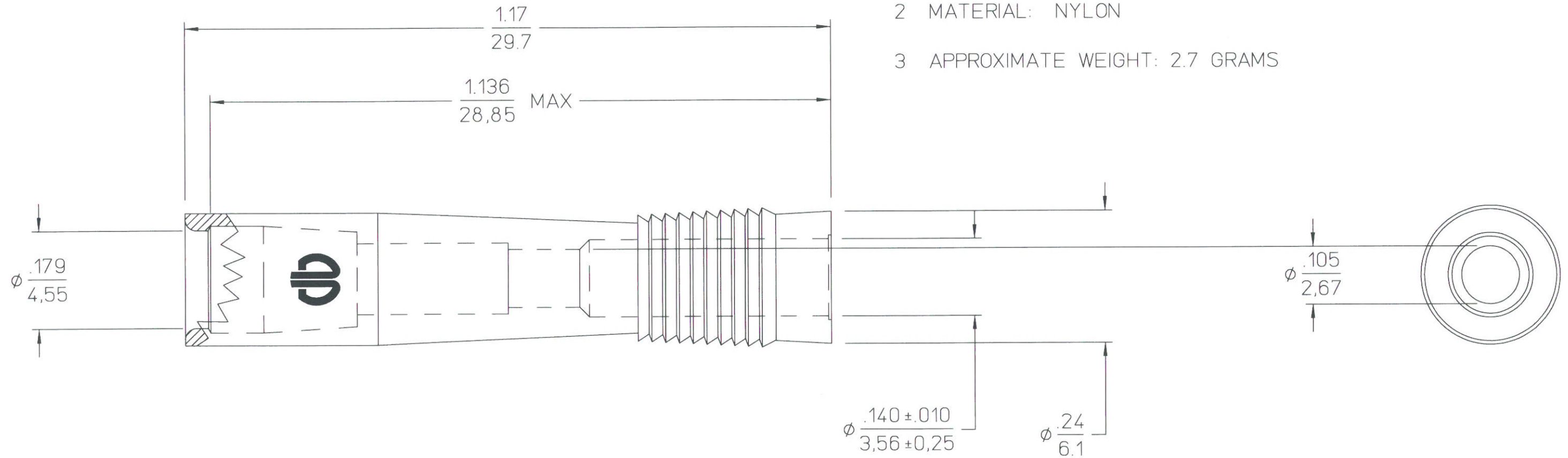


NOTES: UNLESS OTHERWISE SPECIFIED;

1 INTERPRET THIS DRAWING IN ACCORDANCE WITH ANSI Y14.5M-1982.

2 MATERIAL: NYLON

3 APPROXIMATE WEIGHT: 2.7 GRAMS



COLOR TABLE

CATALOG NO.	COLOR
RSMDEX-1	NATURAL (CLEAR TO WHITE)
RSMDEX-5	BLACK
RSMDEX-6	BLUE
RSMDEX-7	BROWN
RSMDEX-8	RED
RSMDEX-9	GREEN
RSMDEX-10	YELLOW
RSMDEX-11	VIOLET (PURPLE)
RSMDEX-12	GRAY
RSMDEX-13	ORANGE

REFERENCE:  
 SD61512 - TRIM TRIO  
 SC60760 - RSCDEX-\_\_  
 SE52918 - SUB-MINIATURE COAX HYFEN  
 SD57870 - SUB-MINIATURE COAX

ACCOMMODATES:  
 RMDX60-2 (SE52918)

SUPERSEDES: SKM13918-0  
 AND SC55386-6

LINEAR MEASURE:	INCH	INCH [mm]
	mm	
THIRD ANGLE PROJECTION		
- TOLERANCES -		
UNLESS OTHERWISE SPECIFIED		
NO OF DECIMAL PLACES IN INCHES	INCH [mm]	
ONE PLACE	±.1 [±.3]	
TWO PLACES	±.02 [±0.5]	
THREE PLACES	±.005 [±0.13]	
ANGLES ±1°		

7	REDRAWN ON CAD WITHOUT CHANGE (ECN3129)	SMM	PJB	10/28/94
REV	REVISION DESCRIPTION	BY	CHKD	DATE
SUB-MINIATURE COAX SPLICE (RECEPT)				
CAT NO RSMDEX-__ (SEE TABLE)				
DWG RELEASED TO CENTRAL FILE 11-1-94				
CAGE NO 09922   ECN 3129   PC 830				
© BURNDY CORPORATION 1994				
APPROVAL	DRWN	RWD	1-14-64	
	CHKD	AR	1-16-64	
	DSGN	HP	1-17-64	
	MKT	MG	10-28-94	
QC	SJ	10-28-94		
DRAWING SCALE 5 : 1				
DRAWING NO				REV
SC55386				7
SHEET 1 OF 1				

