



Chipsmall Limited consists of a professional team with an average of over 10 year of expertise in the distribution of electronic components. Based in Hongkong, we have already established firm and mutual-benefit business relationships with customers from,Europe,America and south Asia,supplying obsolete and hard-to-find components to meet their specific needs.

With the principle of “Quality Parts,Customers Priority,Honest Operation,and Considerate Service”,our business mainly focus on the distribution of electronic components. Line cards we deal with include Microchip,ALPS,ROHM,Xilinx,Pulse,ON,Everlight and Freescale. Main products comprise IC,Modules,Potentiometer,IC Socket,Relay,Connector.Our parts cover such applications as commercial,industrial, and automotives areas.

We are looking forward to setting up business relationship with you and hope to provide you with the best service and solution. Let us make a better world for our industry!



## Contact us

Tel: +86-755-8981 8866 Fax: +86-755-8427 6832

Email & Skype: info@chipsmall.com Web: www.chipsmall.com

Address: A1208, Overseas Decoration Building, #122 Zhenhua RD., Futian, Shenzhen, China

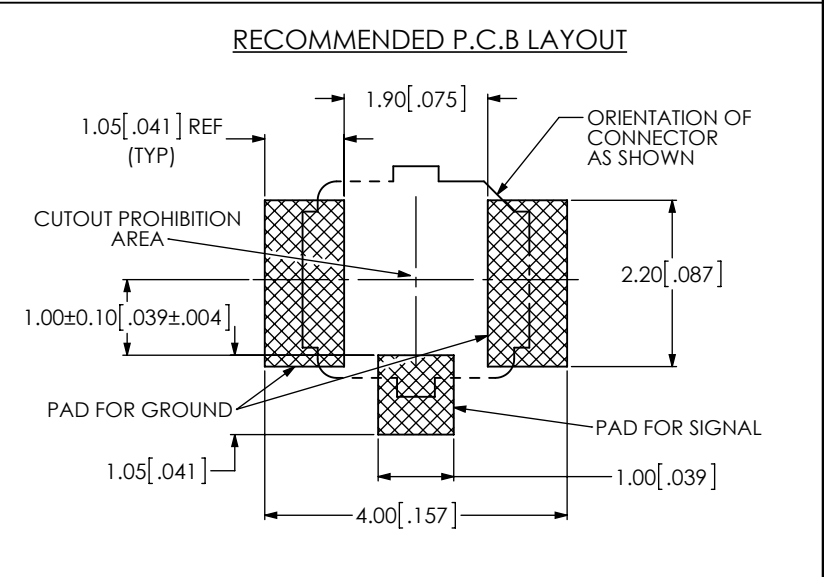
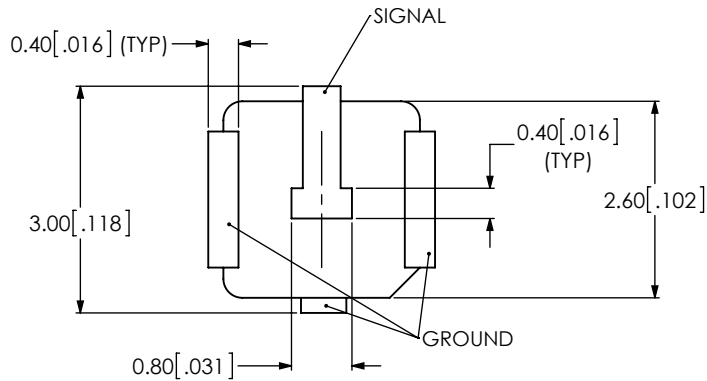
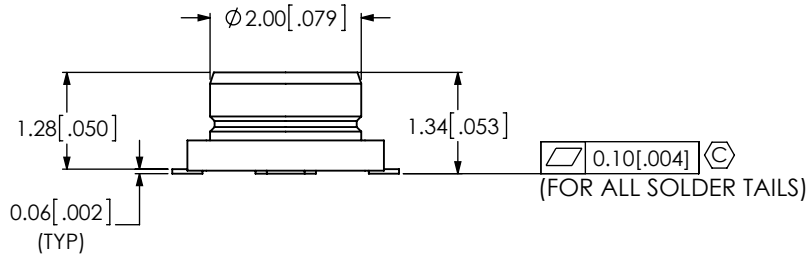
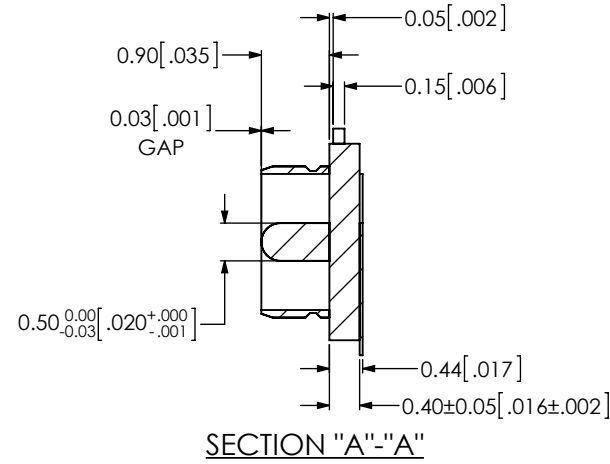
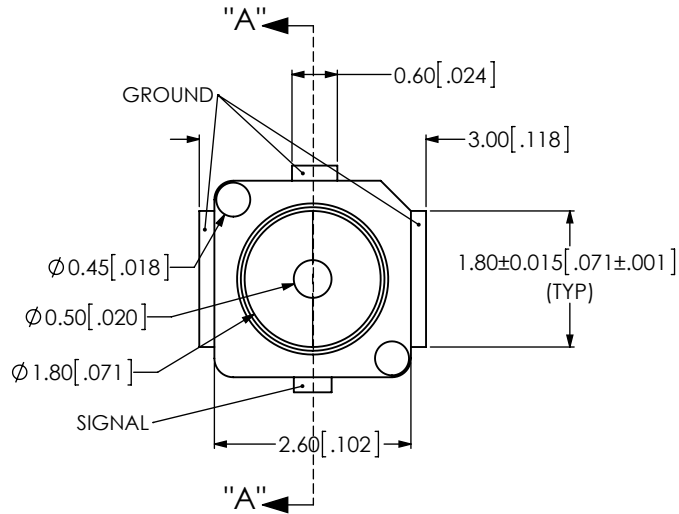


REVISION H

- NOTES:  
 1. NOT AVAILABLE AS STANDARD.  
 2. (C) REPRESENTS A CRITICAL DIMENSION.  
 3. PARTS TO BE PACKAGED IN TAPE & REEL.  
 4. QUANTITIES UNDER 5000 PCS WILL BE SHIPPED IN POCKETS WITH COVER TAPE BUT NOT ON A REEL.  
 5. ROHS COMPLIANT.  
 6. MINIMUM CONTACT RETENTION FORCE : 0.4 N


**SPECIFICATIONS:**  
 ELECTRICAL RATINGS

IMPEDANCE	50 Ω
RATED VOLTAGE	60 V AC (RMS)
RATED FREQUENCY	DC TO 6 GHz
OPERATING TEMP RANGE	-40C to 90C
OPERATING HUMIDITY	90% OR LESS



BY SIGNING THIS DOCUMENT YOU ARE ACCEPTING THE CONDITIONS SET WITHIN. YOUR REQUIREMENTS MUST BE LISTED WITHIN THIS DRAWING. WHERE NO DIRECTION FROM THE CUSTOMER IS IDENTIFIED SAMTEC'S PROCESS REQUIREMENTS WILL BE USED.

DATE: \_\_\_\_\_  
 COMPANY: \_\_\_\_\_  
 CUSTOMER SIGNATURE: \_\_\_\_\_  
 PRINTED NAME: \_\_\_\_\_  
 PHONE NO: \_\_\_\_\_  
 EXCEPTIONS: \_\_\_\_\_

UNLESS OTHERWISE SPECIFIED, DIMENSIONS ARE IN MILLIMETERS. TOLERANCES ARE: DECIMALS            ANGLES .XX: ±.10            5° .XXX: ±.05	PROPRIETARY NOTE THIS DOCUMENT CONTAINS CONFIDENTIAL AND PROPRIETARY INFORMATION AND ALL DESIGN, MANUFACTURING, REPRODUCTION, USE, PATENT RIGHTS AND SALES RIGHTS ARE EXPRESSLY RESERVED BY SAMTEC, INC. THIS DOCUMENT SHALL NOT BE DISCLOSED, IN WHOLE OR PART, TO ANY UNAUTHORIZED PERSON OR ENTITY NOR REPRODUCED, TRANSFERRED OR INCORPORATED IN ANY OTHER PROJECT IN ANY MANNER WITHOUT THE EXPRESS WRITTEN CONSENT OF SAMTEC, INC.	 520 PARK EAST BLVD, NEW ALBANY, IN 47150 PHONE: 812-944-6733    FAX: 812-948-5047 e-Mail info@SAMTEC.com    code 55322	
		DO NOT SCALE DRAWING            SHEET SCALE: 10:1	DESCRIPTION: I-PEX MHF I CONNECTOR RECEPTACLE
MATERIAL: SHELL & CENTER CONTACT: PHOS BRONZE C5191 HOUSING: LCP, UL 94 V-0		DWG. NO. RSP-122811-01	BY: TIM P.            03/17/2006            SHEET 1 OF 1

ITEM NO.	PART NUMBER
1	RSP-122811-01