



Chipsmall Limited consists of a professional team with an average of over 10 year of expertise in the distribution of electronic components. Based in Hongkong, we have already established firm and mutual-benefit business relationships with customers from,Europe,America and south Asia,supplying obsolete and hard-to-find components to meet their specific needs.

With the principle of “Quality Parts,Customers Priority,Honest Operation,and Considerate Service”,our business mainly focus on the distribution of electronic components. Line cards we deal with include Microchip,ALPS,ROHM,Xilinx,Pulse,ON,Everlight and Freescale. Main products comprise IC,Modules,Potentiometer,IC Socket,Relay,Connector.Our parts cover such applications as commercial,industrial, and automotives areas.

We are looking forward to setting up business relationship with you and hope to provide you with the best service and solution. Let us make a better world for our industry!



Contact us

Tel: +86-755-8981 8866 Fax: +86-755-8427 6832

Email & Skype: info@chipsmall.com Web: www.chipsmall.com

Address: A1208, Overseas Decoration Building, #122 Zhenhua RD., Futian, Shenzhen, China



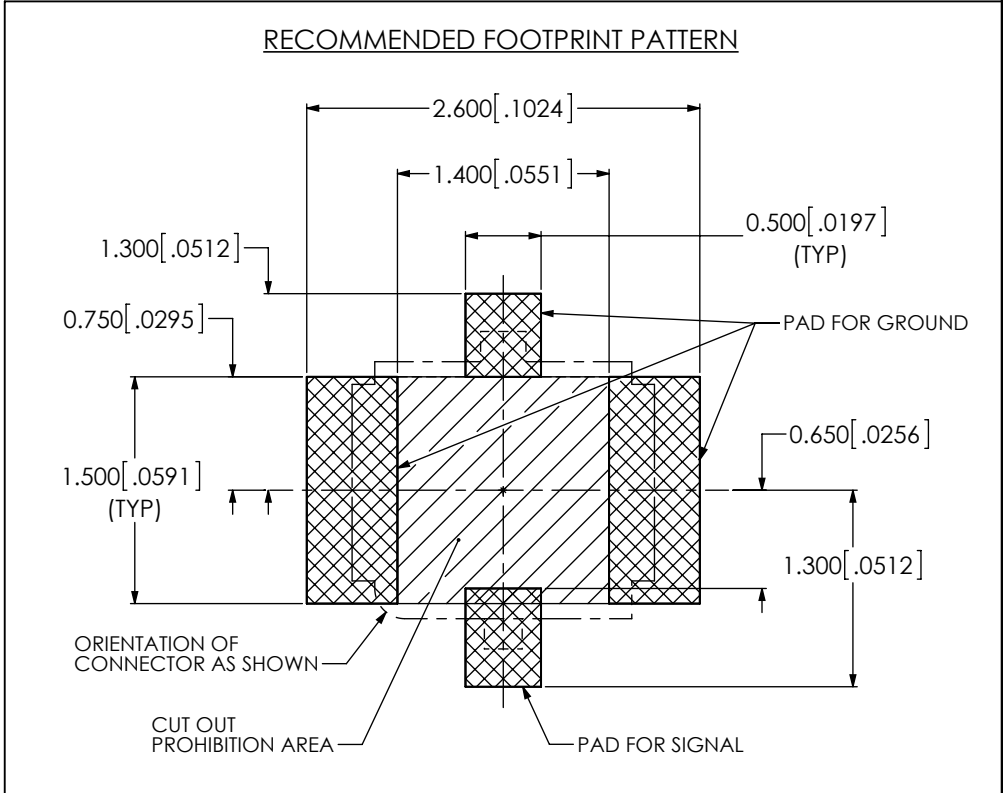
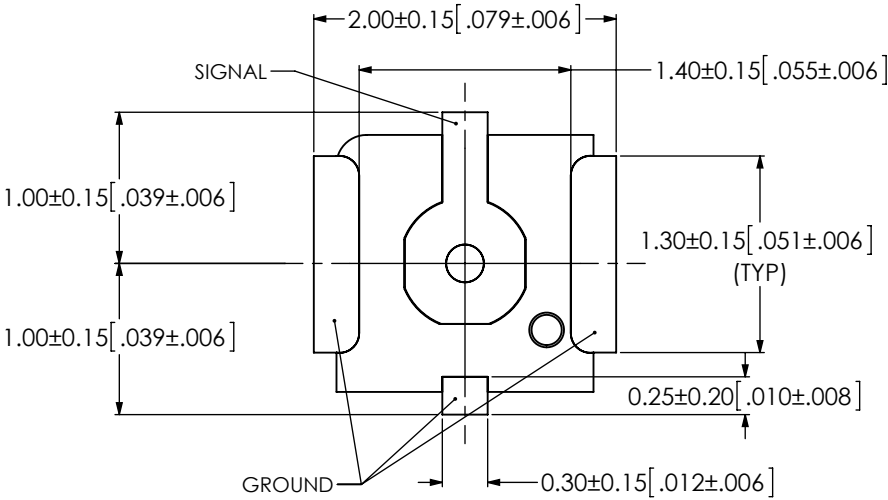
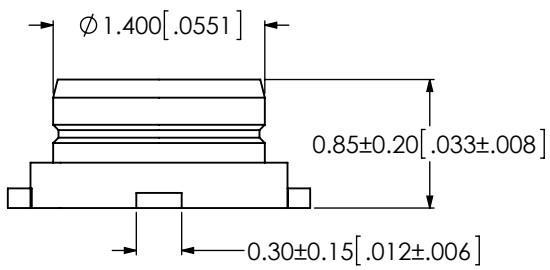
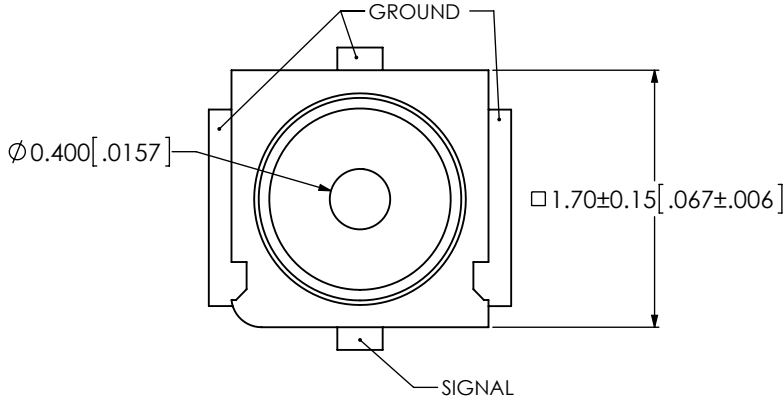
REVISION J

DO NOT SCALE FROM THIS PRINT

- NOTES:
 1. **NOT AVAILABLE AS STANDARD.**
 2. $\text{\textcircled{C}}$ REPRESENTS A CRITICAL DIMENSION.
 3. PARTS TO BE PACKAGED IN TAPE & REEL.
 4. MULTIPLES OF 5000 REQUIRED TO PACKAGE ON A REEL. QUANTITIES UNDER 5000 PCS WILL BE SHIPPED IN POCKETS WITH COVER TAPE BUT NOT ON A REEL.
 5. ROHS COMPLIANT.

SPECIFICATIONS:
ELECTRICAL RATINGS

IMPEDANCE	50 Ω
RATED FREQUENCY	0 ~ 6 GHz
VSWR	1.5 MAX



UNLESS OTHERWISE SPECIFIED, DIMENSIONS ARE IN MILLIMETERS TOLERANCES ARE: DECIMALS ANGLES X.XX: ±0.10 5° X.XXX: ±0.050	PROPRIETARY NOTE THIS DOCUMENT CONTAINS INFORMATION CONFIDENTIAL AND PROPRIETARY TO SAMTEC, INC. AND SHALL NOT BE REPRODUCED OR TRANSFERRED TO OTHER DOCUMENTS OR DISCLOSED TO OTHERS OR USED FOR ANY PURPOSE OTHER THAN THAT WHICH IT WAS OBTAINED WITHOUT THE EXPRESSED WRITTEN CONSENT OF SAMTEC, INC.	
DO NOT SCALE DRAWING SHEET SCALE: 20:1		DESCRIPTION: I-PEX MHF III CONNECTOR RECEPTACLE
PLATING: CONTACT AREA: .000030 GOLD OVER .000050 NICKEL REMAINDER: .000200 REF TIN OVER .000050 NICKEL		DWG. NO. RSP-122811-02
BY: TIM P. 03/28/2006		SHEET 1 OF 1

ITEM NO.	PART NUMBER
1	RSP-122811-02