



Chipsmall Limited consists of a professional team with an average of over 10 year of expertise in the distribution of electronic components. Based in Hongkong, we have already established firm and mutual-benefit business relationships with customers from,Europe,America and south Asia,supplying obsolete and hard-to-find components to meet their specific needs.

With the principle of “Quality Parts,Customers Priority,Honest Operation,and Considerate Service”,our business mainly focus on the distribution of electronic components. Line cards we deal with include Microchip,ALPS,ROHM,Xilinx,Pulse,ON,Everlight and Freescale. Main products comprise IC,Modules,Potentiometer,IC Socket,Relay,Connector.Our parts cover such applications as commercial,industrial, and automotives areas.

We are looking forward to setting up business relationship with you and hope to provide you with the best service and solution. Let us make a better world for our industry!



Contact us

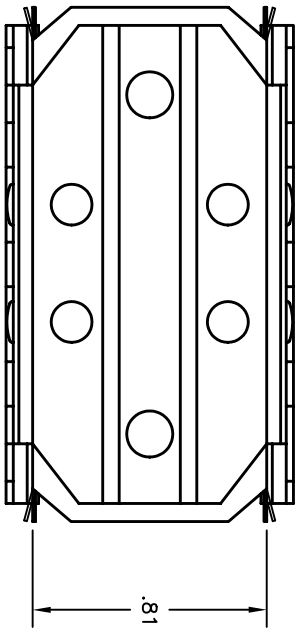
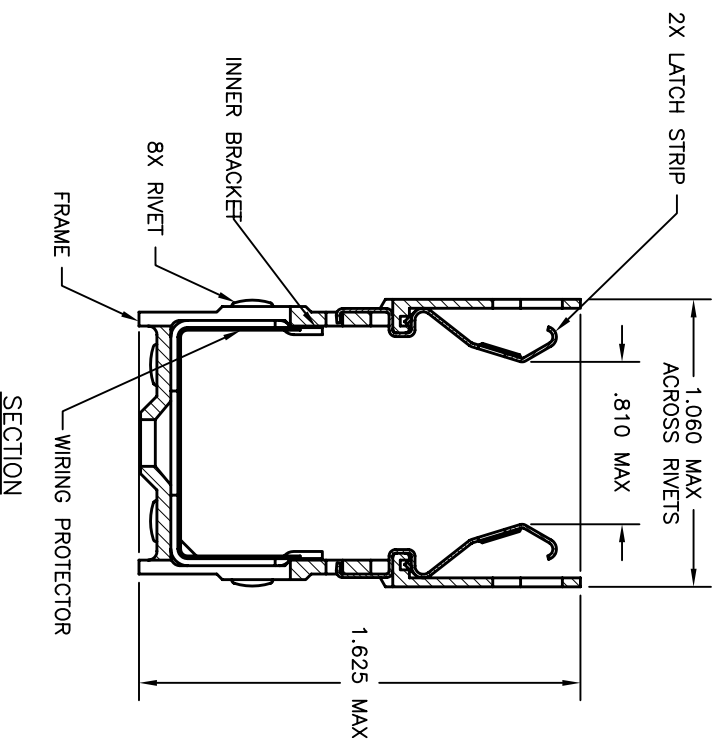
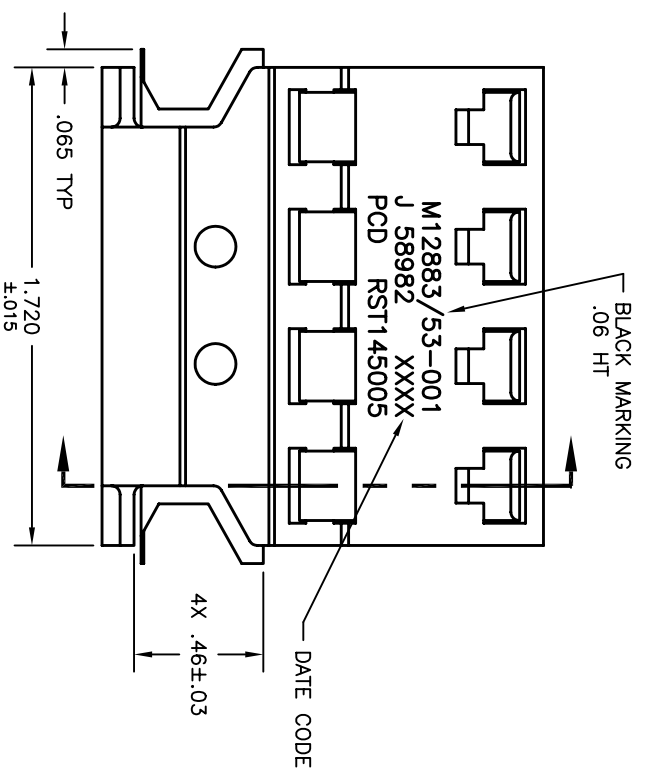
Tel: +86-755-8981 8866 Fax: +86-755-8427 6832

Email & Skype: info@chipsmall.com Web: www.chipsmall.com

Address: A1208, Overseas Decoration Building, #122 Zhenhua RD., Futian, Shenzhen, China



REV	ECN	APP'D
-	4158	



- NOTES:
- MATERIALS:
 OUTER TRACK: ALUMINUM ALLOY PER QQ-A-225. CHEMICAL COATING PER MIL-C-5541, CLASS 3
 INNER BRACKETS AND RIVETS: STAINLESS STEEL PER QQ-S-766, PASSIVATED
 LATCH: BERYLLIUM COPPER #172 PER QQ-C-535, BRIGHT FINISH
 WIRING PROTECTOR: ARAMID PAPER PER MIL-I-24202
 PERFORMANCE SPECIFICATIONS:
 OPERATING TEMPERATURE: -65 TO 125 DEG C
 FOR USE WITH PCD SOCKET PART NO'S RSE116175, RSE116185, AND RSE116195

DIMENSIONS	TOLERANCES	PROJECTION
ANSI Y14.5M UNITS: INCHES ACAD FILE	.XX ±.01 .XXX ±.005 ANGLES ±2°	

SPECIFICATION DRAWING	
CHKD	MEL
ENGR	10/25/00
APPD	

TITLE	
MOUNTING TRACK RELAY SOCKET M12883/53-001	

ORIGINAL	THIS DOCUMENT CONTAINS PROPRIETARY INFORMATION WHICH IS THE CONFIDENTIAL PROPERTY OF PCD, INC. PEABODY, MA, USA	
SIZE	DWG NO.	REV
A	RST145005	-
CODE: 58982	SCALE: NONE	SHEET 1 OF 1