



Chipsmall Limited consists of a professional team with an average of over 10 year of expertise in the distribution of electronic components. Based in Hongkong, we have already established firm and mutual-benefit business relationships with customers from,Europe,America and south Asia,supplying obsolete and hard-to-find components to meet their specific needs.

With the principle of “Quality Parts,Customers Priority,Honest Operation,and Considerate Service”,our business mainly focus on the distribution of electronic components. Line cards we deal with include Microchip,ALPS,ROHM,Xilinx,Pulse,ON,Everlight and Freescale. Main products comprise IC,Modules,Potentiometer,IC Socket,Relay,Connector.Our parts cover such applications as commercial,industrial, and automotives areas.

We are looking forward to setting up business relationship with you and hope to provide you with the best service and solution. Let us make a better world for our industry!



Contact us

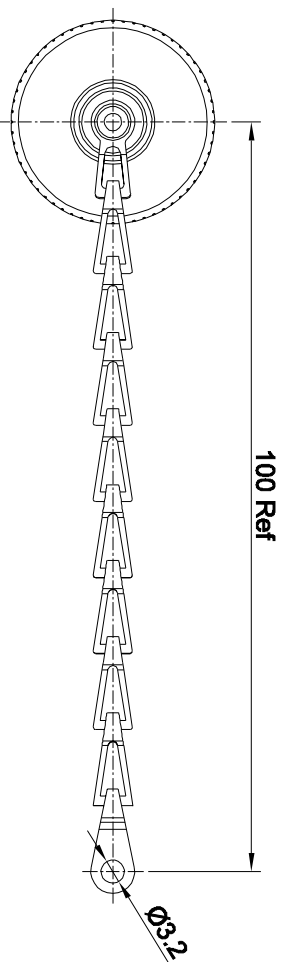
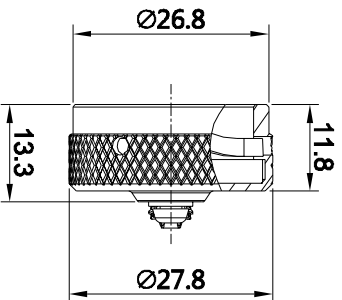
Tel: +86-755-8981 8866 Fax: +86-755-8427 6832

Email & Skype: info@chipsmall.com Web: www.chipsmall.com

Address: A1208, Overseas Decoration Building, #122 Zhenhua RD., Futian, Shenzhen, China



REVISIONS				
REV	ECO	DESCRIPTION	DATE	BY APPR
B1	-	RELEASED DRAWING	JUN-23-2014	BEN TOMMY



RT014DC X X
① ②

P/N	①	②	CHAIN	PLATING
RT014DC	---	---	NO CHAIN	NICKEL PLTING
RT014DCA	---	A	NO CHAIN	BLACK ANODIZING
RT014DCG	G	---	CHAIN	NICKEL PLTING
RT014DCGA	G	A	CHAIN	BLACK ANODIZING

- NOTES : (UNLESS OTHERWISE SPECIFIED)
- MATERIAL :
RIVET : COPPER ALLOY,NICKEL PLATING
CHAIN : STAINLESS STEEL
DUST CAP : AL ALLOY , NICKEL PLATED.
GASKET : EPDM.
 - SPECIFICATIONS :
2.1 OPERATING TEMPERATURE : -40°C ~ +105°C.
2.2 IP--CLASS : IP67.
2.3 MATTING CYCLES DURABILITY : 500 CYCLES MIN.
2.4 ROHS COMPLIANT.
 - ALL DIMENSIONS ARE FOR REFERENCE USE ONLY.

QUANTITY	SEE PART NUMBER CHART	PART NUMBER	DESCRIPTION	ITER
MATERIALS LIST				
UNLESS OTHERWISE SPECIFIED		SIGNATURES	DATE	
1) All dimensions are in millimeters.	2) Tolerances are as follows:	DRAWN: BEN	JUN-23-14	
1 Pl. DEC 20 08	1 Precision 1/16"	CHECKED:		
2 Pl. DEC 20 08	2 Precision 1/32"	ENGINEER:		
3 Pl. DEC 20 08	3 Precision 1/64"	APPROVAL:		
3) Note reference =		CUSTOMER:		
MATERIAL SPECIFICATIONS:		THIS DRAWING IS SUPPLIED FOR SPECIFICATIONS AND PERFORMANCE DATA. THE DRAWING IS NOT TO BE USED FOR REPRODUCTION AND ALL RIGHTS OF REPRODUCTION ARE RESERVED. ALL MANUFACTURING VARIATIONS.		
PROCESS SPECIFICATIONS:		ECO-MATE DUSTCAP FOR RECEPTACLE SIZE 14		
NEXT ASST:		SCALE: NONE	SIZE: B	DWG NO: RT014DCX
			TYPE: C-	REVISION: B1
				SHEET 1 OF 1

Amphenol

Shie Systems - www.amphenol-slie.com
44724 Monkey Drive
Clinton Township, MI 48038

ECO-MATE DUSTCAP FOR RECEPTACLE SIZE 14

SIZE: B
TYPE: C-
DWG NO: RT014DCX

REVISION: B1
SHEET 1 OF 1

TITLE: ECO-MATE DUSTCAP FOR RECEPTACLE SIZE 14

DWG NO: RT014DCX

REV: B1

SH: 1

9F