



Chipsmall Limited consists of a professional team with an average of over 10 year of expertise in the distribution of electronic components. Based in Hongkong, we have already established firm and mutual-benefit business relationships with customers from,Europe,America and south Asia,supplying obsolete and hard-to-find components to meet their specific needs.

With the principle of "Quality Parts,Customers Priority,Honest Operation,and Considerate Service",our business mainly focus on the distribution of electronic components. Line cards we deal with include Microchip,ALPS,ROHM,Xilinx,Pulse,ON,Everlight and Freescale. Main products comprise IC,Modules,Potentiometer,IC Socket,Relay,Connector.Our parts cover such applications as commercial,industrial, and automotives areas.

We are looking forward to setting up business relationship with you and hope to provide you with the best service and solution. Let us make a better world for our industry!



## Contact us

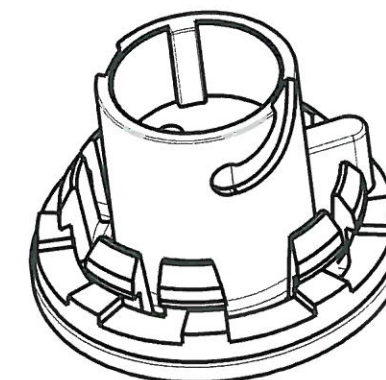
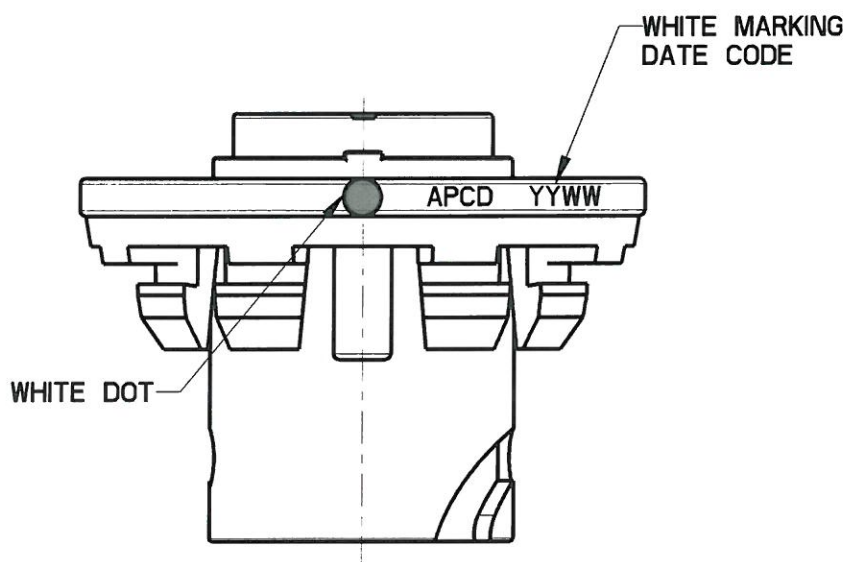
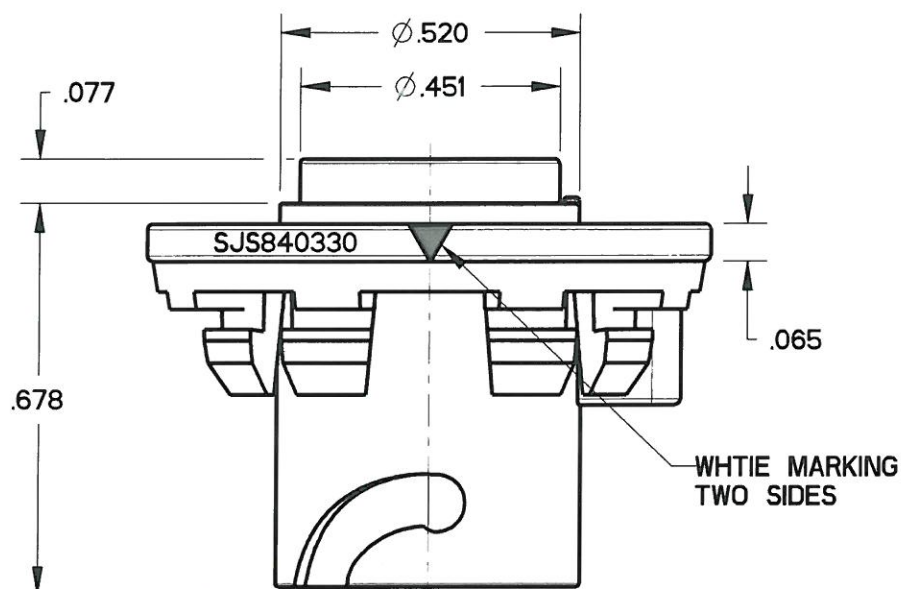
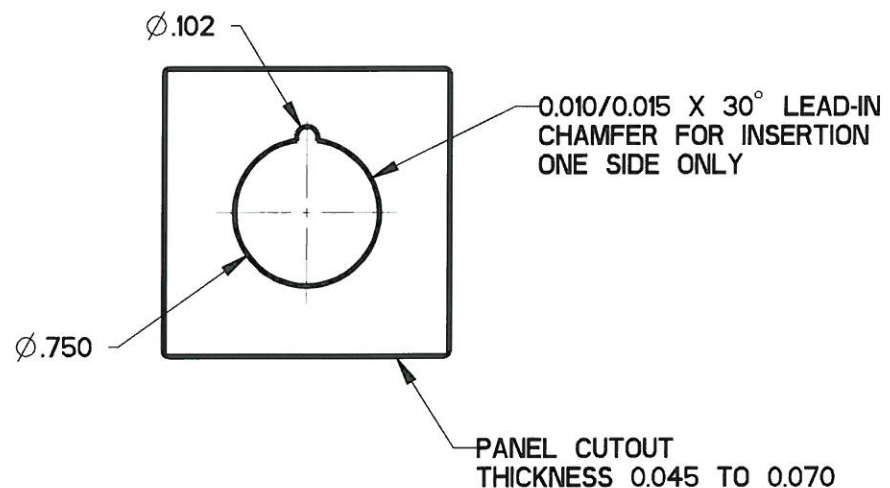
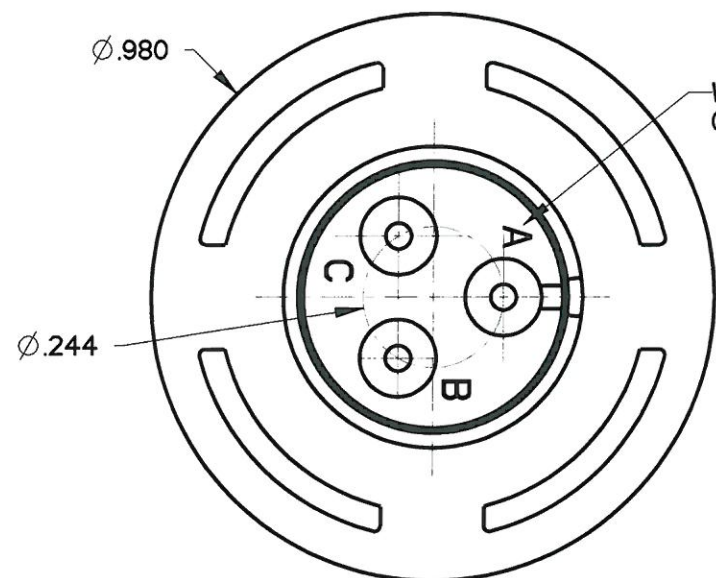
Tel: +86-755-8981 8866 Fax: +86-755-8427 6832

Email & Skype: info@chipsmall.com Web: www.chipsmall.com

Address: A1208, Overseas Decoration Building, #122 Zhenhua RD., Futian, Shenzhen, China

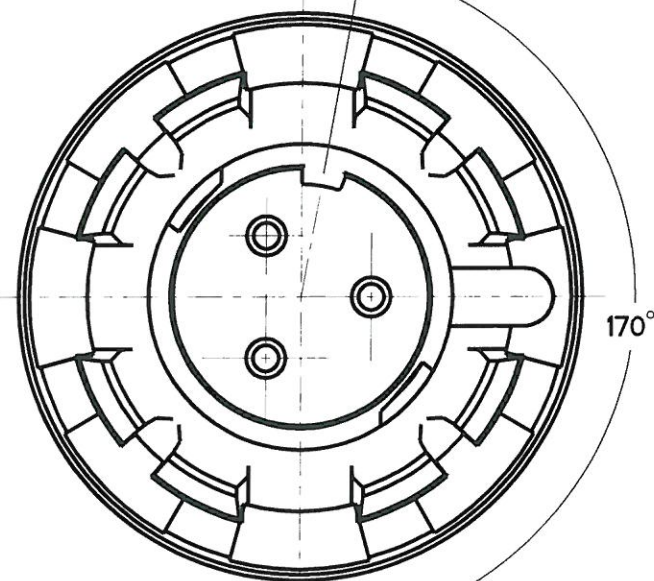


REV	ECN	APP'D
A	6428	JT 10/28/09
B	6473	JT 2/8/10
C	6564	<i>[Signature]</i>



SCALE 2:1

- NOTES:
- MATERIALS:  
HOUSING: PA6/6  
CONTACT RETAINER: STAINLESS STEEL  
GROMMET: SILICONE RUBBER PER A-A-59588
  - ACCEPTS M39029/58-364 PIN CONTACTS (NOT INCLUDED)
  - PART MATES WITH SJS840340
  - WEIGHT: 3.3 GRAMS
  - SUPPLIED WITH DUST CAP



DIMENSIONS	TOLERANCES	PROJECTION	Amphenol Pcd SPECIFICATION DRAWING		TITLE		
ANSI Y14.5M UNITS: INCHES Pro/E FILE	.XX $\pm 0.01$ .XXX $\pm 0.005$ ANGLES $\pm 1.0^\circ$		ENGR Frank.Li	02-Mar-09	3P SZ16 PANEL ALT BLACK RECEPTACLE FOR SJS		
ORIGINAL	THIS DOCUMENT CONTAINS PROPRIETARY INFORMATION WHICH IS THE CONFIDENTIAL PROPERTY OF AMPHENOL PCD INC., BEVERLY, MA	CHKD <i>[Signature]</i>	8/6/10	SIZE B	DWG NO. SJS840330_CE	REV C	
		APPD <i>[Signature]</i>	8/10/10	CODE: 58982	SCALE: 3:1	SHEET 1 OF 1	

SJS840330

SJS840330