



Chipsmall Limited consists of a professional team with an average of over 10 year of expertise in the distribution of electronic components. Based in Hongkong, we have already established firm and mutual-benefit business relationships with customers from,Europe,America and south Asia,supplying obsolete and hard-to-find components to meet their specific needs.

With the principle of “Quality Parts,Customers Priority,Honest Operation,and Considerate Service”,our business mainly focus on the distribution of electronic components. Line cards we deal with include Microchip,ALPS,ROHM,Xilinx,Pulse,ON,Everlight and Freescale. Main products comprise IC,Modules,Potentiometer,IC Socket,Relay,Connector.Our parts cover such applications as commercial,industrial, and automotives areas.

We are looking forward to setting up business relationship with you and hope to provide you with the best service and solution. Let us make a better world for our industry!



Contact us

Tel: +86-755-8981 8866 Fax: +86-755-8427 6832

Email & Skype: info@chipsmall.com Web: www.chipsmall.com

Address: A1208, Overseas Decoration Building, #122 Zhenhua RD., Futian, Shenzhen, China



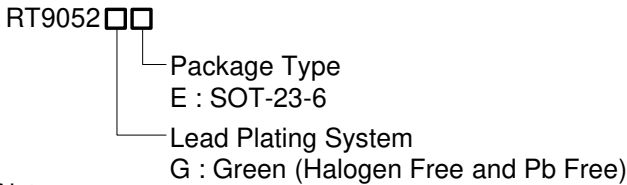
Single Channel LED Current Source Controller

General Description

The RT9052 is a low cost, single channel LED current source controller with a specific $\overline{\text{FAULT}}$ detector. The part can drive an external NPN-BJT for various applications. The RT9052 is operated with V_{cc} power ranging from 3.8V to 13.5V. With such a topology, it's very flexible and cost effective.

The RT9052 comes in a small SOT-23-6 package.

Ordering Information

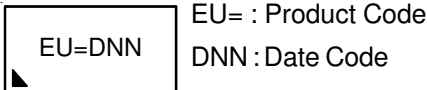


Note :

Richtek products are :

- ▶ RoHS compliant and compatible with the current requirements of IPC/JEDEC J-STD-020.
- ▶ Suitable for use in SnPb or Pb-free soldering processes.

Marking Information



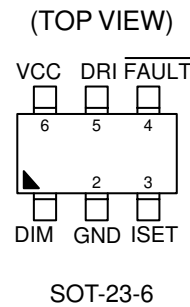
Features

- 3.8V to 13.5V Operation Voltage
- Voltage Reference 0.8V with $\pm 2\%$ High Accuracy
- $\overline{\text{FAULT}}$ Indicator with Delay
- Dimming Control by PWM
- Small Footprint Package SOT-23-6
- RoHS Compliant and Halogen Free

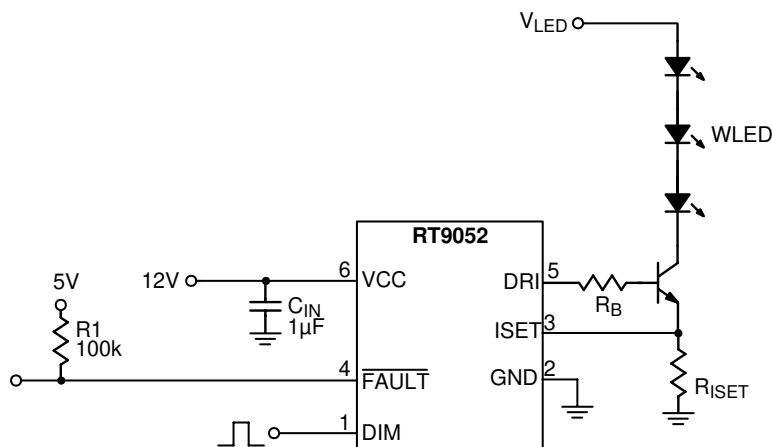
Applications

- LED Backlight applications
- Current Source
- Transistor Driver

Pin Configurations



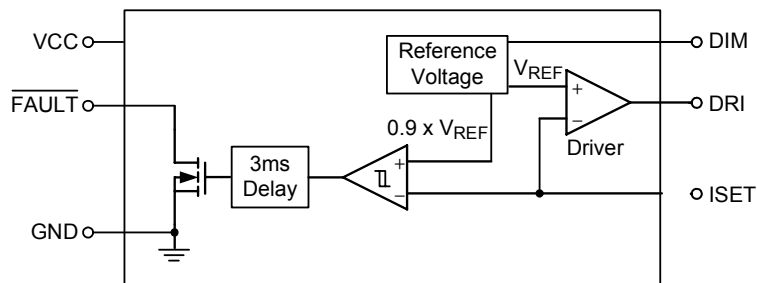
Typical Application Circuit



Functional Pin Description

Pin No.	Pin Name	Pin Function
1	DIM	PWM Dimming Control Input.
2	GND	Ground.
3	ISET	Current Setting Input.
4	$\overline{\text{FAULT}}$	$\overline{\text{FAULT}}$ Signal Open Drain Output.
5	DRI	Driver Output.
6	VCC	Power Supply Input.

Function Block Diagram



Absolute Maximum Ratings (Note 1)

- Supply Input Voltage, V_{CC} ----- 15V
- DIM Voltage ----- 7V
- $\overline{\text{FAULT}}$ Output Voltage ----- 7V
- Power Dissipation, $P_D @ T_A = 25^\circ\text{C}$
SOT-23-6 ----- 0.4W
- Package Thermal Resistance (Note 2)
SOT-23-6, θ_{JA} ----- 250°C/W
- Lead Temperature (Soldering, 10 sec.) ----- 260°C
- Junction Temperature ----- 150°C
- Storage Temperature Range ----- -65°C to 150°C
- ESD Susceptibility (Note 3)
HBM (Human Body Mode) ----- 2kV
MM (Machine Mode) ----- 200V

Recommended Operating Conditions (Note 4)

- Supply Input Voltage, V_{CC} ----- 3.8V to 13.5V
- DIM Voltage ----- 0V to 5.5V
- Junction Temperature Range ----- -40°C to 125°C
- Ambient Temperature Range ----- -40°C to 85°C

Electrical Characteristics

($V_{CC} = 5V/12V$, $T_A = 25^\circ\text{C}$, unless otherwise specified)

Parameter	Symbol	Test Conditions	Min	Typ	Max	Unit
UVLO Threshold		V_{CC} Rising	3.15	3.4	3.65	V
UVLO Hysteresis			0.1	0.2	0.3	V
V_{CC} Supply Current	I_{CC}	$V_{CC} = 12V$	--	0.3	0.8	mA
Driver Source Current		$V_{CC} = 12V$, $V_{DRI} = 6V$	5	--	--	mA
Driver Sink Current		$V_{CC} = 12V$, $V_{DRI} = 6V$	5	--	--	mA
ISET Reference Voltage	V_{REF}	$V_{CC} = 12V$, $V_{DRI} = 5V$	0.784	0.8	0.816	V
ISET Line Regulation		$V_{CC} = 4.5V$ to $13.5V$	--	3	6	mV
Amplifier Voltage Gain		$V_{CC} = 12V$, No Load	--	70	--	dB
$\overline{\text{FAULT}}$ Rising Threshold		$V_{CC} = 12V$	85	90	95	% V_{REF}
$\overline{\text{FAULT}}$ Hysteresis		$V_{CC} = 12V$	--	15	--	% V_{REF}
Sink Capability		$V_{CC} = 12V @ 1mA$	--	0.2	0.4	V
Delay Time	t_{DELAY}	$V_{CC} = 12V$	1	3	10	ms
Falling Delay		$V_{CC} = 12V$	--	15	20	μs
DIM						
DIM Rising Threshold	DIM_{th}	$V_{CC} = 12V$	--	0.7	1	V
DIM Hysteresis		$V_{CC} = 12V$	--	30	--	mV
Standby Current	$I_{STANDBY}$	$V_{CC} = 12V$, $V_{DIM} = 0V$	--	--	5	μA

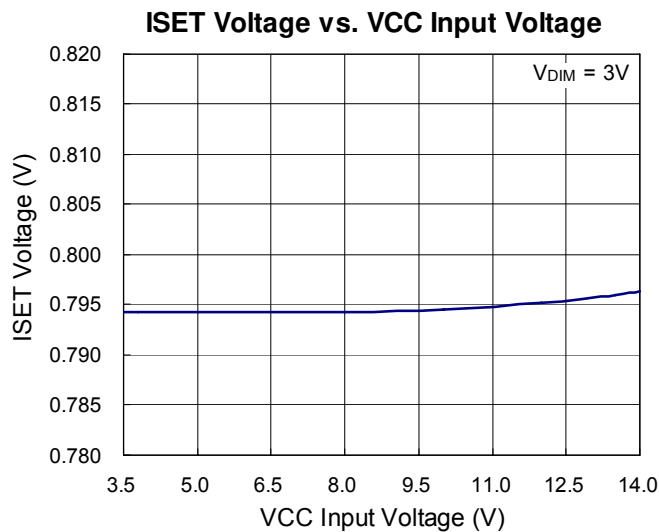
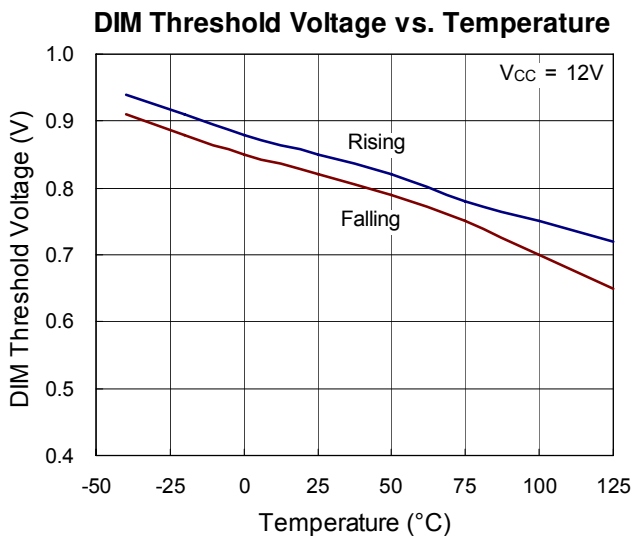
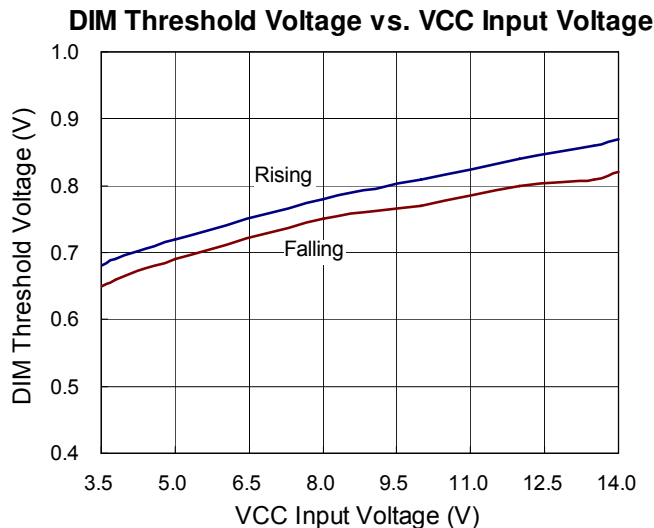
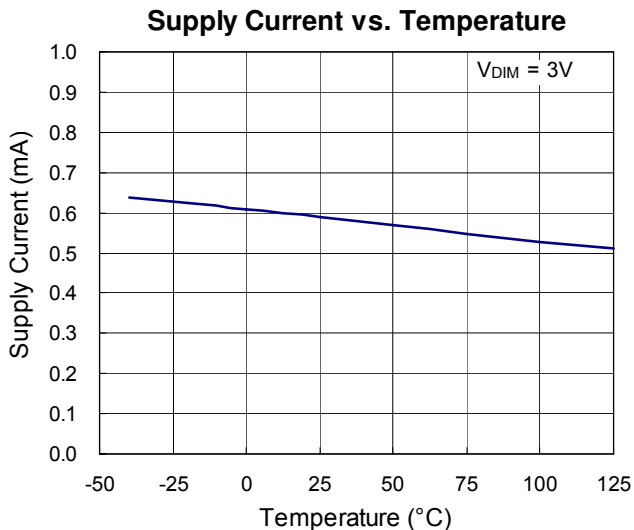
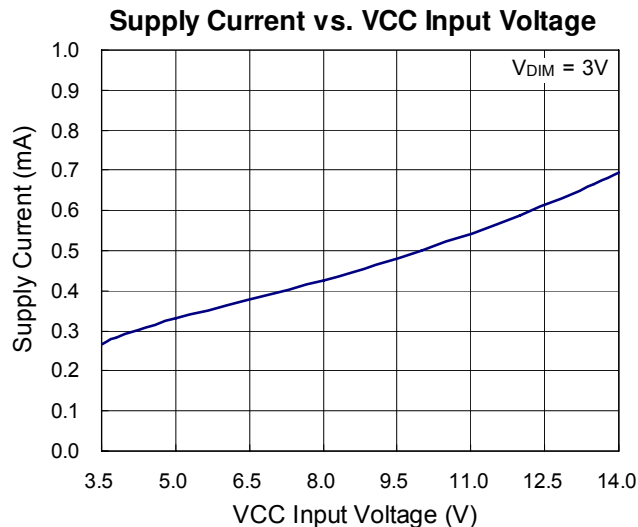
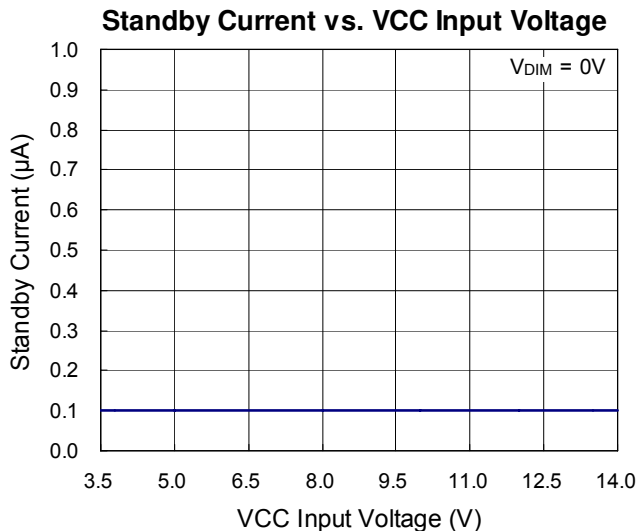
Note 1. Stresses listed as the above "Absolute Maximum Ratings" may cause permanent damage to the device. These are for stress ratings. Functional operation of the device at these or any other conditions beyond those indicated in the operational sections of the specifications is not implied. Exposure to absolute maximum rating conditions for extended periods may remain possibility to affect device reliability.

Note 2. θ_{JA} is measured in natural convection at $T_A = 25^\circ\text{C}$ on a low effective thermal conductivity test board of JEDEC 51-3 thermal measurement standard.

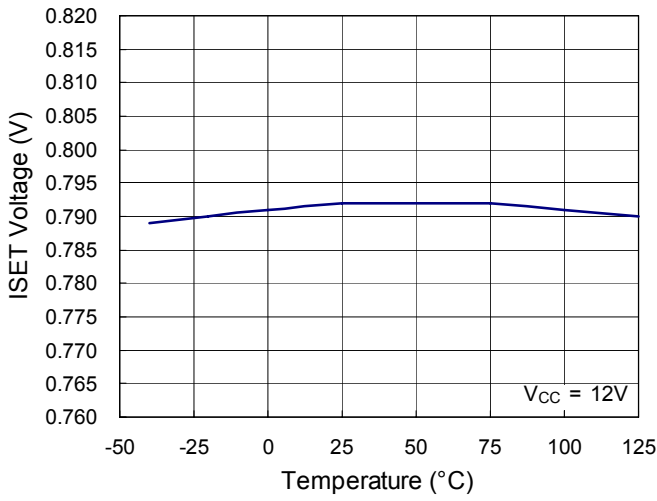
Note 3. Devices are ESD sensitive. Handling precaution is recommended.

Note 4. The device is not guaranteed to function outside its operating conditions.

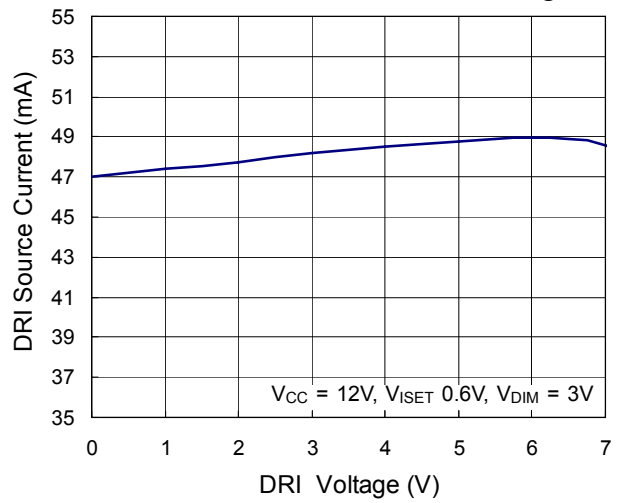
Typical Operating Characteristics



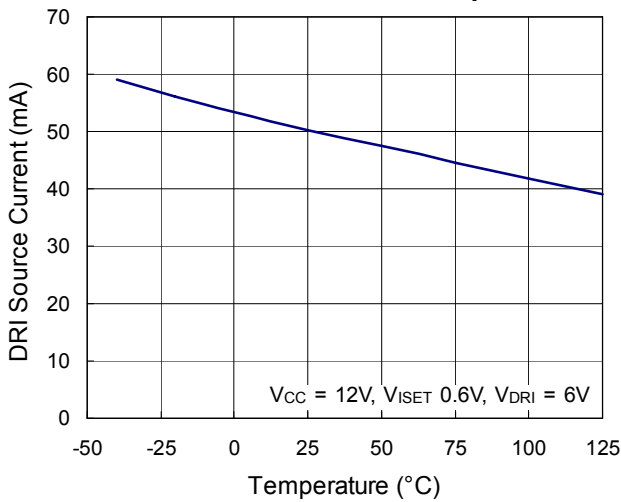
ISET Voltage vs. Temperature



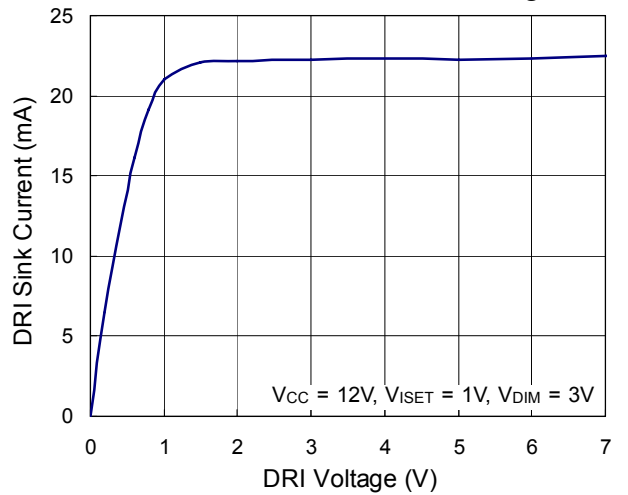
DRI Source Current vs. DRI Voltage



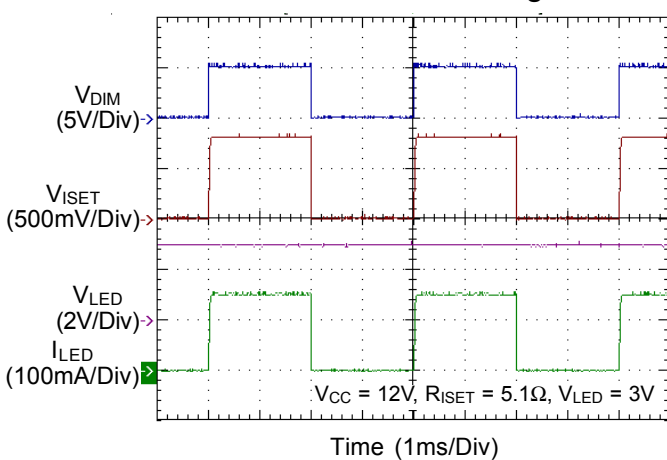
DRI Source Current vs. Temperature



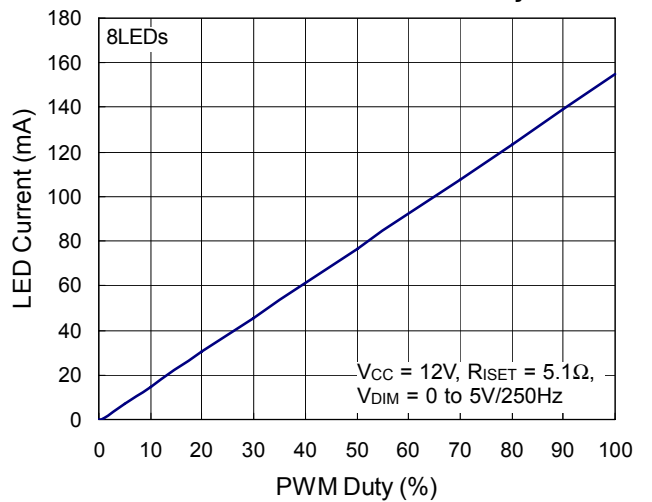
DRI Sink Current vs. DRI Voltage



DIM PWM Dimming



LED Current vs. PWM Duty



Application Information

The RT9052 is a low cost single channel LED current source controller with a specific $\overline{\text{FAULT}}$ indicating scheme. This device can drive an external NPN-BJT for various applications. The RT9052 is operated with VCC power ranging from 3.8V to 13.5V. With such a topology, it is very flexible and cost effective.

Capacitors Selection

Careful selection of the external capacitors for the RT9052 is necessary to maintain high stability and performance. A capacitor $\geq 1\mu\text{F}$ must be connected between VCC and ground to improve supply voltage stability for proper operation.

$\overline{\text{FAULT}}$ Function

The RT9052 has a $\overline{\text{FAULT}}$ function with delay. The $\overline{\text{FAULT}}$ output is an open drain output. Connect a 100k Ω pull up resistor to external 5V source to obtain an output voltage. When the ISET voltage reaches 90% of normal value, $\overline{\text{FAULT}}$ will become active and be pulled high by external circuits with a typical 3ms delay.

LED Current Setting

The RT9052 includes a 0.8V reference voltage for easy setting of the LED current source. As shown in application circuit, the LED current is easily set via an R_{ISET} resistor.

$$I_{\text{LED}} = \frac{0.8 \text{ (V)}}{R_{\text{ISET}} \text{ (\Omega)}} \quad (\text{A})$$

PWM Dimming Operation

For controlling the LED brightness, the RT9052 can perform dimming control by applying a PWM signal to the DIM pin. The average LED current is proportional to the PWM signal duty cycle. Note that the magnitude of the PWM signal needs to be higher than the maximum dimming voltage of the DIM pin, in order to have correct dimming control.

NPN Transistor Selection

The RT9052 drives the NPN transistor via the DRI pin (source Base current I_B). When making an NPN transistor

selection, the following criteria Should be considered : DC current gain h_{FE} , threshold voltage V_{BE} , collector-emitter voltage V_{CE} , maximum collector current I_C package thermal resistance $\theta_{\text{(JA)}}$.

Thermal Considerations

For continuous operation, do not exceed absolute maximum junction temperature. The maximum power dissipation depends on the thermal resistance of the IC package, PCB layout, rate of surrounding airflow, and difference between junction and ambient temperature. The maximum power dissipation can be calculated by the following formula :

$$P_{\text{D(MAX)}} = (T_{\text{J(MAX)}} - T_{\text{A}}) / \theta_{\text{JA}}$$

where $T_{\text{J(MAX)}}$ is the maximum junction temperature, T_{A} is the ambient temperature, and θ_{JA} is the junction to ambient thermal resistance.

For recommended operating condition specifications of the RT9052, the maximum junction temperature is 125°C and T_{A} is the ambient temperature. The junction to ambient thermal resistance, θ_{JA} , is layout dependent. For SOT-23-6 packages, the thermal resistance, θ_{JA} , is 250°C/W on a standard JEDEC 51-3 single-layer thermal test board. The maximum power dissipation at $T_{\text{A}} = 25^\circ\text{C}$ can be calculated by the following formula :

$$P_{\text{D(MAX)}} = (125^\circ\text{C} - 25^\circ\text{C}) / (250^\circ\text{C/W}) = 0.400\text{W for SOT-23-6 package}$$

The maximum power dissipation depends on the operating ambient temperature for fixed $T_{\text{J(MAX)}}$ and thermal resistance, θ_{JA} . For the RT9052 package, the derating curve in Figure 1 allows the designer to see the effect of rising ambient temperature on the maximum power dissipation.

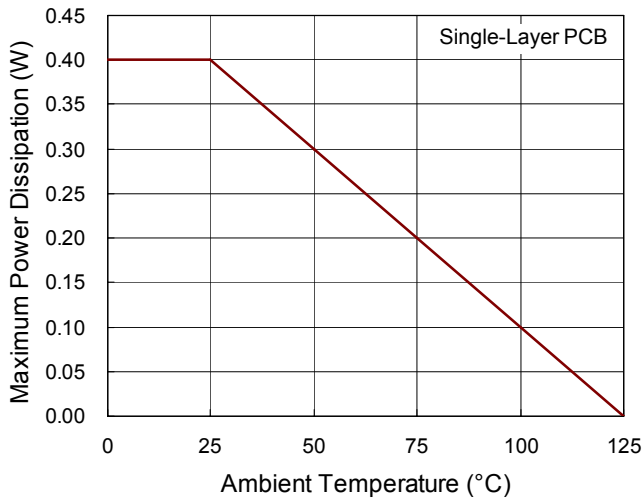


Figure 1. Derating Curve for RT9052 Package

Layout Consideration

There are three critical layout considerations.

- ▶ The current setting resistor should be located as close as possible to the RT9052 to avoid inducing any noise.
- ▶ The input capacitor have to put at near the IC for improved performance.
- ▶ The pass element operating under high power situation may raise the junction temperature above the package thermal resistance limit. (copper area can be added to improve power dissipation.)

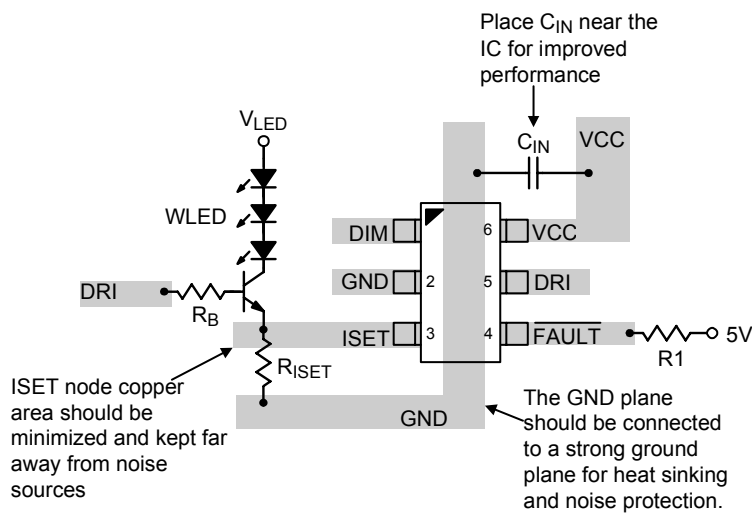
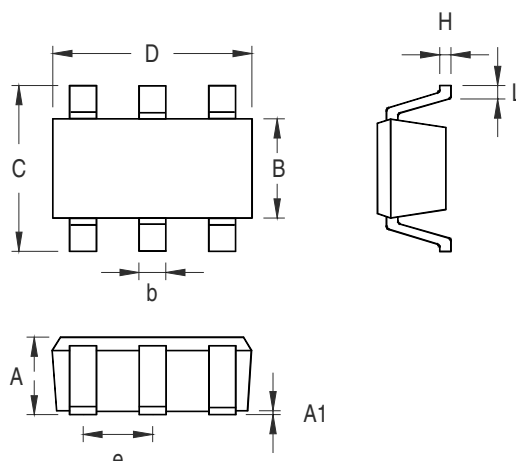


Figure 2. PCB Layout Guide

Outline Dimension



Symbol	Dimensions In Millimeters		Dimensions In Inches	
	Min	Max	Min	Max
A	0.889	1.295	0.031	0.051
A1	0.000	0.152	0.000	0.006
B	1.397	1.803	0.055	0.071
b	0.250	0.560	0.010	0.022
C	2.591	2.997	0.102	0.118
D	2.692	3.099	0.106	0.122
e	0.838	1.041	0.033	0.041
H	0.080	0.254	0.003	0.010
L	0.300	0.610	0.012	0.024

SOT-23-6 Surface Mount Package

Richtek Technology Corporation

Headquarter
 5F, No. 20, Taiyuen Street, Chupei City
 Hsinchu, Taiwan, R.O.C.
 Tel: (8863)5526789 Fax: (8863)5526611

Richtek Technology Corporation

Taipei Office (Marketing)
 5F, No. 95, Minchiuan Road, Hsintien City
 Taipei County, Taiwan, R.O.C.
 Tel: (8862)86672399 Fax: (8862)86672377
 Email: marketing@richtek.com

Information that is provided by Richtek Technology Corporation is believed to be accurate and reliable. Richtek reserves the right to make any change in circuit design, specification or other related things if necessary without notice at any time. No third party intellectual property infringement of the applications should be guaranteed by users when integrating Richtek products into any application. No legal responsibility for any said applications is assumed by Richtek.