



Chipsmall Limited consists of a professional team with an average of over 10 year of expertise in the distribution of electronic components. Based in Hongkong, we have already established firm and mutual-benefit business relationships with customers from,Europe,America and south Asia,supplying obsolete and hard-to-find components to meet their specific needs.

With the principle of “Quality Parts,Customers Priority,Honest Operation,and Considerate Service”,our business mainly focus on the distribution of electronic components. Line cards we deal with include Microchip,ALPS,ROHM,Xilinx,Pulse,ON,Everlight and Freescale. Main products comprise IC,Modules,Potentiometer,IC Socket,Relay,Connector.Our parts cover such applications as commercial,industrial, and automotives areas.

We are looking forward to setting up business relationship with you and hope to provide you with the best service and solution. Let us make a better world for our industry!



## Contact us

Tel: +86-755-8981 8866 Fax: +86-755-8427 6832

Email & Skype: info@chipsmall.com Web: www.chipsmall.com

Address: A1208, Overseas Decoration Building, #122 Zhenhua RD., Futian, Shenzhen, China



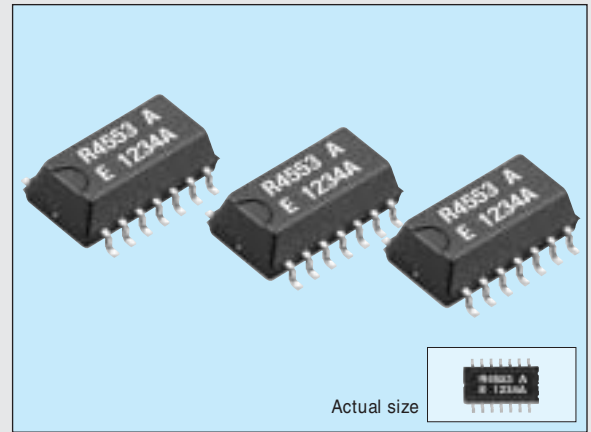
SERIAL-INTERFACE REAL TIME CLOCK MODULE WITH SRAM

# RTC-4553

Product number (please refer to page 2)

**Q4145535xxxxx00**

- Built-in crystal unit allows adjustment-free efficient operation.
- Automatic calendar function (year, month, day, day of the week, hour, minute, second).
- Automatic leap year correction.
- Built-in 30 x 4-bit S-RAM.
- Reference pulse output. (1024 Hz, 1/10 Hz)



The details are mentioned in the application manual.

<http://www.epsondevice.com>

## Specifications (characteristics)

### Absolute Max. rating

Item	Symbol	Condition	Min.	Max.	Unit
Supply voltage	V <sub>DD</sub>	V <sub>DD</sub> to GND		+6.0	V
Input voltage	V <sub>IN</sub>	S <sub>IN</sub> , S <sub>CK</sub> , W <sub>R</sub> , CS <sub>0</sub> , CS <sub>1</sub>	-0.3	V <sub>DD</sub> +0.3	
Output voltage	V <sub>OUT</sub>	S <sub>OUT</sub> , T <sub>P</sub> OUT			
Storage temperature	T <sub>STG</sub>	Stored as bare product after unpacking	-55	+125	°C

### Operating range

Item	Symbol	Condition	Min.	Typ.	Max.	Unit
Power voltage	V <sub>DD</sub>	—	2.7	5.0	5.5	V
Clock voltage	V <sub>CLK</sub>	—	2.0	—	5.5	V
Operating temperature	T <sub>OPR</sub>	No condensation	-30	—	+70	°C

### Frequency characteristics

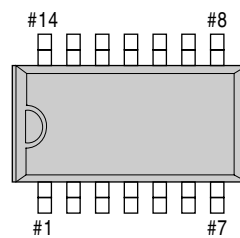
Item	Symbol	Condition	Range	Unit	
Frequency tolerance	Δf/fo	Ta=+25 °C, V <sub>DD</sub> =5 V	AA	5±5	x 10 <sup>-6</sup>
			A	5±10	
			B	5±20	
Oscillation start-up time	t <sub>STA</sub>	Ta=+25 °C, V <sub>DD</sub> = 3.0 V	3.0 Max.	s	
Frequency temperature characteristics	T <sub>OP</sub>	Ta=-10 °C to +70 °C, V <sub>DD</sub> =5 V Reference at +25 °C	+10 -120	x 10 <sup>-6</sup>	
Frequency voltage characteristics	f/V	Ta=Fix, V <sub>DD</sub> =2 V to 5.5 V Reference at 5 V	±5		
Aging	fa	Ta=+25 °C, V <sub>DD</sub> =5 V, first year		x 10 <sup>-9</sup> /year	

### DC characteristics (GND=0 V, V<sub>DD</sub>=5 V ± 10 %, Ta=-30 °C to +70 °C)

Item	Symbol	Condition	Min.	Typ.	Max.	Unit
Current consumption	I <sub>DD1</sub>	S <sub>CK</sub> =500 kHz	—	—	100	μA
	I <sub>DD2</sub>	S <sub>CK</sub> =0 Hz	—	1.0	3.0	
Output voltage	V <sub>OH</sub>	I <sub>OH</sub> =-400 μA	V <sub>DD</sub> -0.4	—	—	V
	V <sub>OL</sub>	I <sub>OL</sub> =1.6 mA	—	—	0.4	
Off leak current	I <sub>OZH</sub>	V <sub>OUT</sub> =5.5 V	-2.0	—	2.0	μA
	I <sub>OZL</sub>	V <sub>OUT</sub> =0 V	—	—	—	
Input voltage	V <sub>IH</sub>	—	4/5 V <sub>DD</sub>	—	—	V
	V <sub>IL</sub>	—	—	—	1/5 V <sub>DD</sub>	
Input current	I <sub>IH</sub>	V <sub>IN</sub> =5.5 V	-2.0	—	2.0	μA
	I <sub>IL</sub>	V <sub>IN</sub> =0 V	—	—	—	

## Terminal connection

### RTC-4553



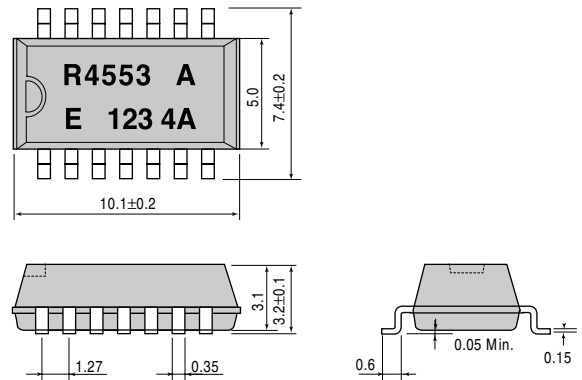
No.	Pin terminal	No.	Pin terminal
1	GND	14	TP <sub>OUT</sub>
2	W <sub>R</sub>	13	S <sub>OUT</sub>
3	S <sub>IN</sub>	12	CS <sub>1</sub>
4	S <sub>CK</sub>	11	CS <sub>0</sub>
5	L1	10	L5
6	L2	9	L4
7	L3	8	V <sub>DD</sub>

L1 to L5 are test pin. Do not connect them to any terminals.

## External dimensions

(Unit: mm)

### RTC-4553 (SOP 14-pin)



Metal may be exposed on the top or bottom of this product. This won't affect any quality, reliability or electrical spec.

## Block diagram

