



Chipsmall Limited consists of a professional team with an average of over 10 year of expertise in the distribution of electronic components. Based in Hongkong, we have already established firm and mutual-benefit business relationships with customers from,Europe,America and south Asia,supplying obsolete and hard-to-find components to meet their specific needs.

With the principle of "Quality Parts,Customers Priority,Honest Operation,and Considerate Service",our business mainly focus on the distribution of electronic components. Line cards we deal with include Microchip,ALPS,ROHM,Xilinx,Pulse,ON,Everlight and Freescale. Main products comprise IC,Modules,Potentiometer,IC Socket,Relay,Connector.Our parts cover such applications as commercial,industrial, and automotives areas.

We are looking forward to setting up business relationship with you and hope to provide you with the best service and solution. Let us make a better world for our industry!



## Contact us

Tel: +86-755-8981 8866 Fax: +86-755-8427 6832

Email & Skype: info@chipsmall.com Web: www.chipsmall.com

Address: A1208, Overseas Decoration Building, #122 Zhenhua RD., Futian, Shenzhen, China



# RTE Series Low Profile Rotary DIP Switches

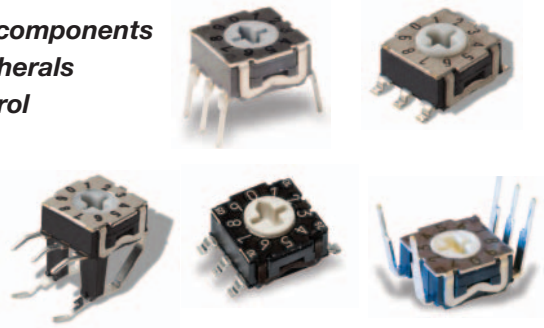
H  
DIP

## Features/Benefits

- Thru-hole and surface mount models
- Miniature size with robust metal cover in black or silver nickel finish
- 2, 3, 4, 10, & 16 positions
- Large choice of codings
- Vertical or reverse versions
- RoHS compliant

## Typical Applications

- Timers, automation components
- Computer and peripherals
- Alarms, access control
- Instrumentation



## Specifications

### CONTACT RATING:

Gold: 100 mA max. 10µ A min. 30 V DC max. 20 mVDC min.

Silver: 100 mA max. 1 mA min. 50 V DC max. 2 VDC min.

MECHANICAL LIFE: RTE02/03: 1,500 actuations; RTE04/10/16: 20,000 actuations

CONTACT RESISTANCE: 100 mΩ max. initial; 150 mΩ after life

INSULATION RESISTANCE: RTE02/03: 10<sup>10</sup> Ω min. RTE04/10/16: 10<sup>10</sup> Ω min. initial

DIELECTRIC STRENGTH: RTE 02/03: 500 Vrms; RTE 10/16: 300 Vrms

OPERATING TEMPERATURE: -25°C to 85°C.

STORAGE TEMPERATURE: -40°C to 85°C.

PACKAGING: N or R terminations in tube.

V termination in box. G termination in reel, 750 pieces per reel. G termination with flush actuator, 1250 pieces per reel.

## Materials

COVER: Brass, nickel plated (black or silver)

BASE: Thermoplastic PPS

ACTUATOR: LCP

KNOB: Thermoplastic

MOVABLE CONTACTS: Bronze, gold or silver plated.

STATIONARY CONTACTS: Brass, gold or silver plated.

TERMINALS: See page I-28 to I-29

O-RING: Silicone

**Note:** Specifications and materials listed above are for switches with standard options. For information on specific and custom switches, consult Customer Service Center.

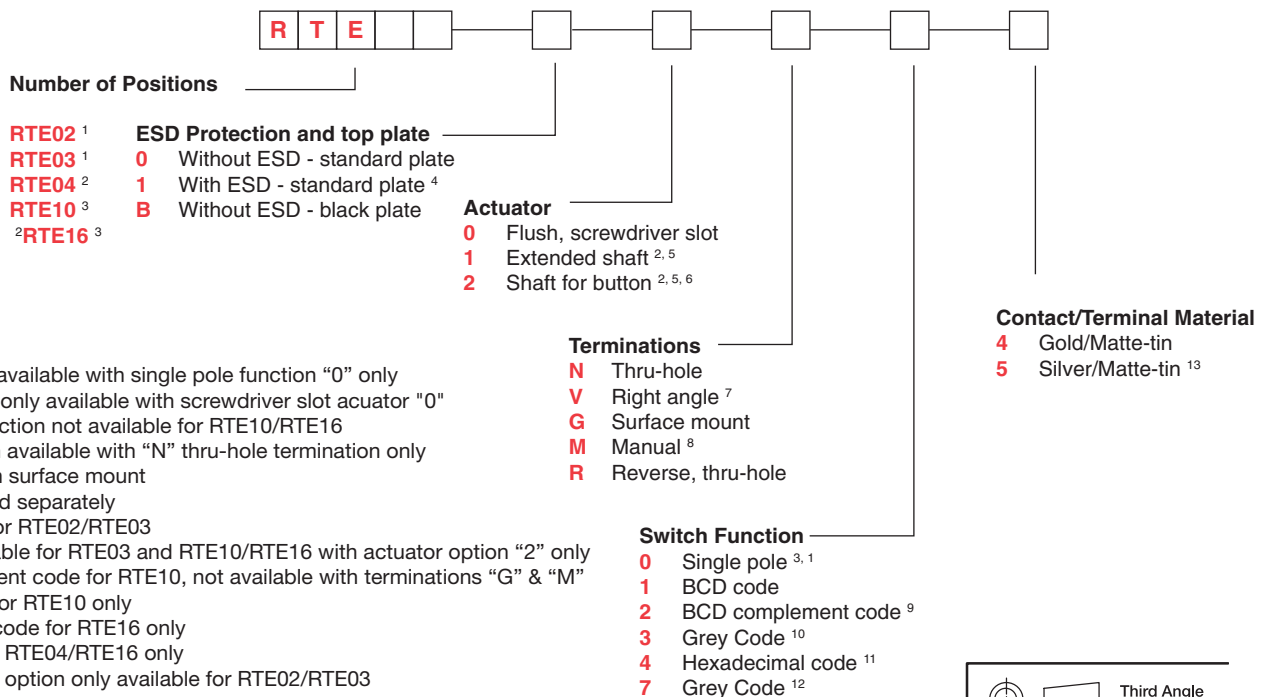
Solderability: Wave soldering 260°/2s.

SMT are reflow compatible according to CECC 00802-NORM.

## How To Order

The Build-A Switch concept allows you to mix and match options to create the switch you need. Below is a complete listing of options shown in catalog. To order, simply select desired option from each category and place in the appropriate box.

**NOTE:** Some of the configurations may not be available or could require some development.



- 1 - RTE02/RTE03 available with single pole function "0" only
- 2 - RTE04 version only available with screwdriver slot actuator "0"
- 3 - Single pole function not available for RTE10/RTE16
- 4 - ESD protection available with "N" thru-hole termination only
- 5 - Not available in surface mount
- 6 - Buttons ordered separately
- 7 - Not available for RTE02/RTE03
- 8 - Manual - available for RTE03 and RTE10/RTE16 with actuator option "2" only
- 9 - BCD complement code for RTE10, not available with terminations "G" & "M"
- 10 - Grey Code - for RTE10 only
- 11 - Hexidecimal code for RTE16 only
- 12 - Grey code for RTE04/RTE16 only
- 13 - Silver contact option only available for RTE02/RTE03



# RTE Series Low Profile Rotary DIP Switches

## SWITCHES WITH STANDARD OPTIONS

### PC Mount-Terminal Option N



| PART NUMBER WITHOUT ESD PIN | WITH ESD PIN      | NO. POS. | FUNCTION    | QTY PER TUBE |
|-----------------------------|-------------------|----------|-------------|--------------|
| <b>RTE0200N04</b>           | <b>RTE0210N04</b> | 2        | SPDT        | 65           |
| <b>RTE0300N04</b>           | <b>RTE0310N04</b> | 3        | SP3T        | 65           |
| <b>RTE0400N04</b>           | <b>RTE0410N04</b> | 4        | SP4T        | 65           |
| <b>RTE1000N14</b>           | <b>RTE1010N14</b> | 10       | BCD         | 65           |
| <b>RTE1600N44</b>           | <b>RTE1610N44</b> | 16       | HEXADECIMAL | 65           |

### Right Angle Mount-Terminal Option V



| PART NUMBER       | NO. POS. | FUNCTION    | QUANTITY    |
|-------------------|----------|-------------|-------------|
| <b>RTE0400V04</b> | 4        | SP4T        | 150 per box |
| <b>RTE1000V14</b> | 10       | BCD         | 150 per box |
| <b>RTE1600V44</b> | 16       | HEXADECIMAL | 150 per box |

### Surface Mount-Terminal Option G



| PART NUMBER       | NO. POS. | FUNCTION    | QUANTITY PER REEL |
|-------------------|----------|-------------|-------------------|
| <b>RTE0200G04</b> | 02       | SPDT        | 1250              |
| <b>RTE0300G04</b> | 03       | SP3T        | 1250              |
| <b>RTE0400G04</b> | 04       | SP4T        | 1250              |
| <b>RTE1000G14</b> | 10       | BCD         | 1250              |
| <b>RTE1600G44</b> | 16       | HEXADECIMAL | 1250              |



Third Angle  
Projection

Dimensions are shown: Inch (mm)  
Specifications and dimensions subject to change

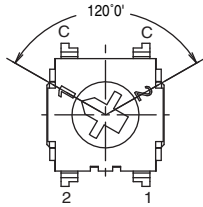
# RTE Series Low Profile Rotary DIP Switches



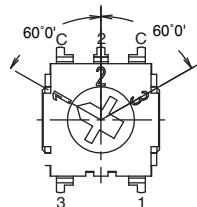
H  
DIP

## NUMBER OF POSITIONS

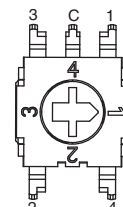
**RTE02\*** 2 POSITION



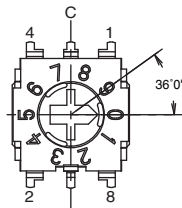
**RTE03** 3 POSITION



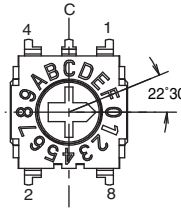
**RTE04** 4 POSITION



**RTE10** 10 POSITION

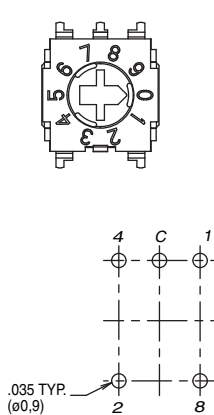


**RTE16** 16 POSITION

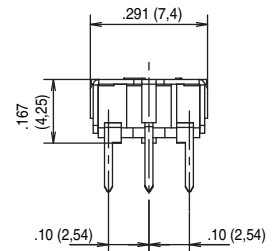
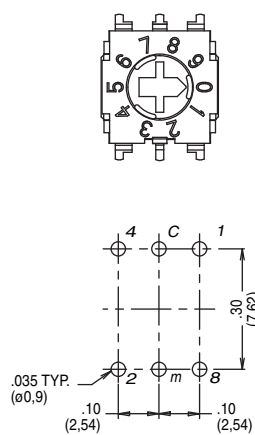
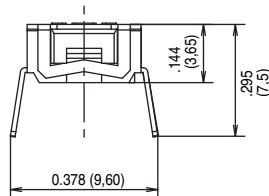


## ESD PROTECTION

**0** WITHOUT

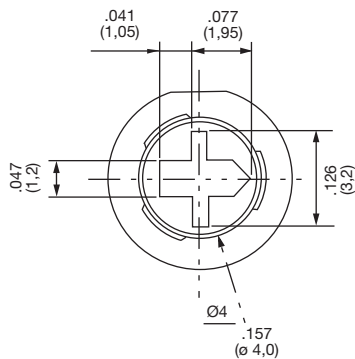


**1** WITH

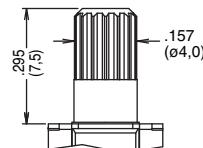


## ACTUATOR

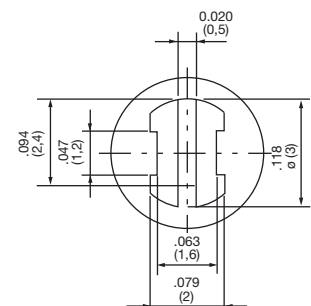
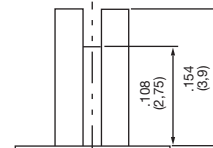
**0** FLUSH, SCREWDRIVER SLOT



**1** EXTENDED SHAFT  
(not available in surface mount)



**2** SHAFT FOR BUTTON



Dimensions are shown: Inch (mm)  
Specifications and dimensions subject to change

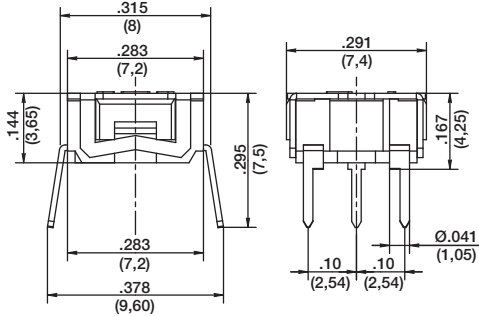


# RTE Series Low Profile Rotary DIP Switches

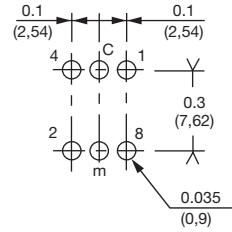
## TERMINATIONS



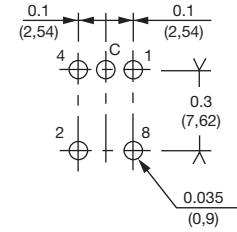
### N THRU-HOLE



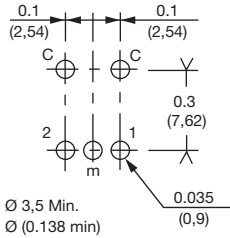
RTE10, RTE 04 or RTE16  
with ground terminal



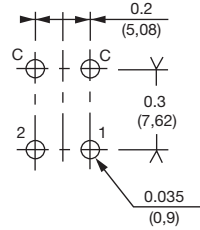
RTE10, RTE 04 or RTE16  
without ground terminal



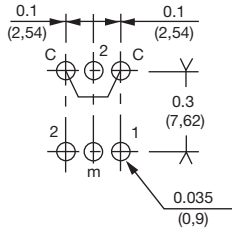
RTE02 with  
ground terminal



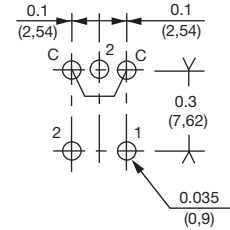
RTE02 without  
ground terminal



RTE03 with  
ground terminal

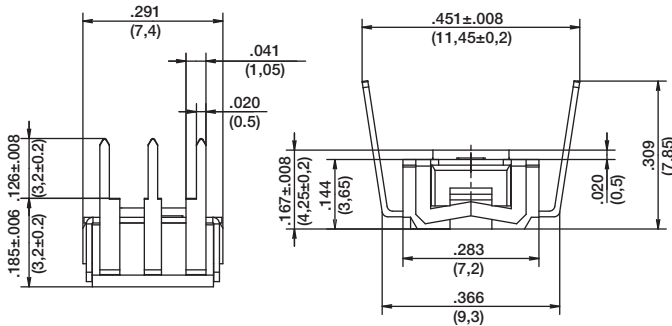


RTE03 without  
ground terminal

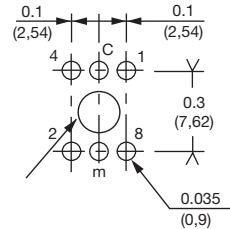


Ø in PC Board for screw driver operation must be 3.5 mm

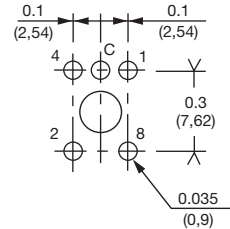
### R REVERSE, THRU-HOLE



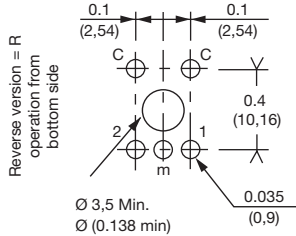
RTE10, RTE 04 or RTE16  
with ground terminal



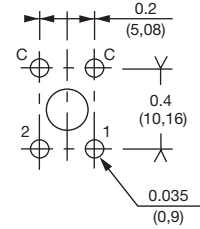
RTE10, RTE 04 or RTE16  
without ground terminal



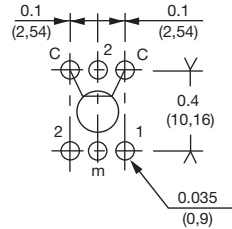
RTE02 with  
ground terminal



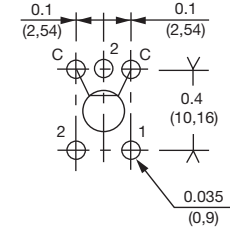
RTE02 without  
ground terminal



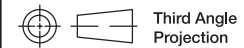
RTE03 with  
ground terminal



RTE03 without  
ground terminal



Ø in PC Board for screw driver operation must be 3.5 mm

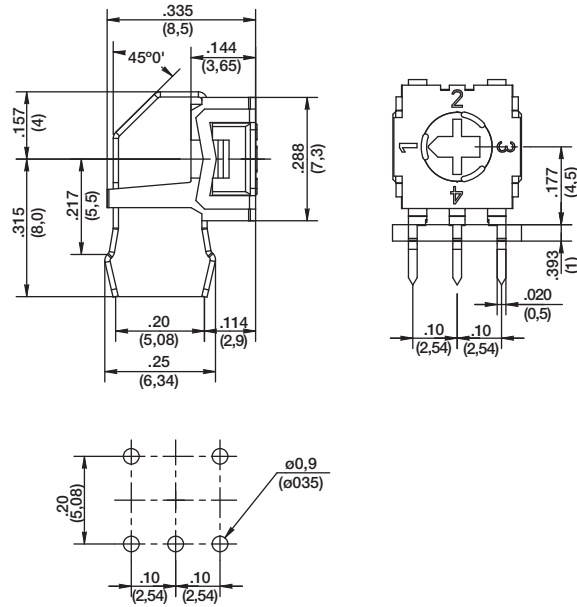


Third Angle  
Projection

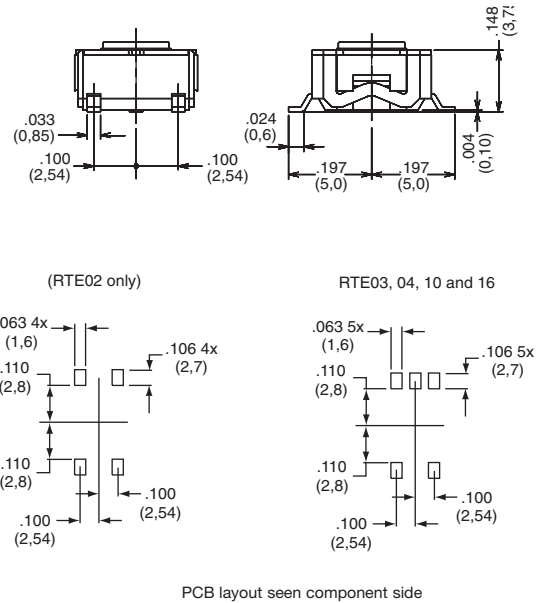
# RTE Series Low Profile Rotary DIP Switches

## TERMINATIONS

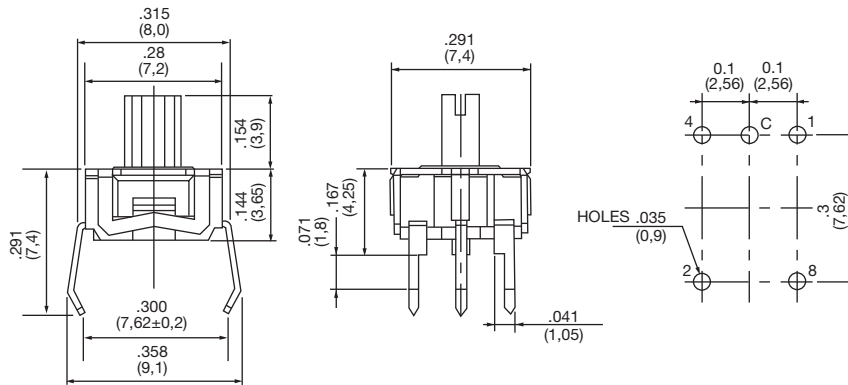
**V** RIGHT ANGLE, THRU-HOLE



**G** SURFACE MOUNT



**M** OPTION



Dimensions are shown: Inch (mm)  
Specifications and dimensions subject to change



H  
DIP

# RTE Series Low Profile Rotary DIP Switches



DIP

## SWITCH FUNCTION

### 0 SINGLE POLE

| POS. | 1 | 2 | 3 | 4 |
|------|---|---|---|---|
| C    | ● | ● | ● | ● |
| 1    | ● |   |   |   |
| 2    |   | ● |   |   |
| 3    |   |   | ● |   |
| 4    |   |   |   | ● |

### 1 BCD CODE

| POS. | 0 | 1 | 2 | 3 | 4 | 5 | 6 | 7 | 8 | 9 |
|------|---|---|---|---|---|---|---|---|---|---|
| C    | ● | ● | ● | ● | ● | ● | ● | ● | ● | ● |
| 1    |   | ● |   | ● |   | ● |   | ● |   | ● |
| 2    |   |   | ● | ● |   |   | ● | ● |   |   |
| 4    |   |   |   |   | ● | ● | ● | ● |   |   |
| 8    |   |   |   |   |   |   |   |   | ● | ● |

### 2 BCD COMPLEMENT CODE

| POS. | 0 | 1 | 2 | 3 | 4 | 5 | 6 | 7 | 8 | 9 |
|------|---|---|---|---|---|---|---|---|---|---|
| C    | ● | ● | ● | ● | ● | ● | ● | ● | ● | ● |
| 1    | ● |   | ● |   | ● |   | ● |   | ● |   |
| 2    | ● | ● |   |   | ● | ● |   |   | ● | ● |
| 4    | ● | ● | ● | ● |   |   |   |   | ● | ● |
| 8    | ● | ● | ● | ● | ● | ● | ● |   |   |   |

Other codes available by request.

### 3 GREY CODE ( for RTE10 only )

| POS. | 0 | 1 | 2 | 3 | 4 | 5 | 6 | 7 | 8 | 9 |
|------|---|---|---|---|---|---|---|---|---|---|
| C    | ● | ● | ● | ● | ● | ● | ● | ● | ● | ● |
| 1    |   | ● | ● |   |   | ● | ● |   |   | ● |
| 2    |   |   | ● | ● | ● | ● |   |   |   |   |
| 4    |   |   |   | ● | ● | ● | ● | ● | ● | ● |
| 8    |   |   |   |   |   |   |   |   | ● | ● |

### 4 HEXADECIMAL CODE

| POS. | 0 | 1 | 2 | 3 | 4 | 5 | 6 | 7 | 8 | 9 | 10 | 11 | 12 | 13 | 14 | 15 |
|------|---|---|---|---|---|---|---|---|---|---|----|----|----|----|----|----|
| C    | ● | ● | ● | ● | ● | ● | ● | ● | ● | ● | ●  | ●  | ●  | ●  | ●  | ●  |
| 1    |   | ● |   | ● |   | ● |   | ● |   | ● |    | ●  |    | ●  |    | ●  |
| 2    |   |   | ● | ● |   |   | ● | ● |   |   | ●  | ●  |    |    | ●  | ●  |
| 4    |   |   |   |   | ● | ● | ● | ● |   |   |    | ●  | ●  | ●  | ●  | ●  |
| 8    |   |   |   |   |   |   |   |   | ● | ● | ●  | ●  | ●  | ●  | ●  | ●  |

### 7 GREY CODE (for RTE04 only)

| POS. | 1 | 2 | 3 | 4 |
|------|---|---|---|---|
| C    | ● | ● | ● | ● |
| 1    | ● |   |   |   |
| 2    |   | ● |   |   |
| 4    |   |   | ● |   |
| 8    |   |   |   | ● |

(for RTE16 only)

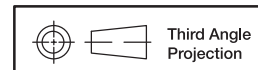
| POS. | 0 | 1 | 2 | 3 | 4 | 5 | 6 | 7 | 8 | 9 | A | B | C | D | E | F |
|------|---|---|---|---|---|---|---|---|---|---|---|---|---|---|---|---|
| C    | ● | ● | ● | ● | ● | ● | ● | ● | ● | ● | ● | ● | ● | ● | ● | ● |
| 1    |   | ● |   | ● |   | ● |   | ● |   | ● |   | ● |   | ● |   | ● |
| 2    |   |   | ● | ● |   |   | ● | ● |   |   | ● | ● |   |   | ● | ● |
| 4    |   |   |   |   | ● | ● | ● | ● |   |   |   | ● | ● | ● | ● | ● |
| 8    |   |   |   |   |   |   |   |   | ● | ● | ● | ● | ● | ● | ● | ● |

## CONTACT MATERIAL

| OPTION CODE | RoHS COMPLIANT * | RoHS COMPATIBLE * | CONTACT MATERIAL | TERMINAL PLATING | RATINGS     |            |              |
|-------------|------------------|-------------------|------------------|------------------|-------------|------------|--------------|
|             |                  |                   |                  |                  |             |            |              |
| *4          | YES              | YES **            | GOLD             | MATTE TIN        | 100 mA max. | 10µ A min. | 30 V DC max. |
| *5          | YES              | YES **            | SILVER           | MATTE TIN        | 100 mA max. | 1 mA min.  | 50 V DC max. |

\* Note: See Technical Data section of this catalog for RoHS compliant and compatible definitions and specifications.

\*\* When selecting contact material option 4 and 5 with RTE02, RTE03 and or "V" terminations, these combinations are RoHS compliant but not currently compatible (i.e. they do not sustain the high temperatures of the leadfree soldering process). All other options and terminations are RoHS compatible. Please contact customer service for RoHS compatible versions of the RTE02 and RTE03.



Third Angle Projection

Dimensions are shown: Inch (mm)  
Specifications and dimensions subject to change

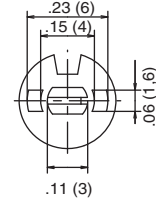
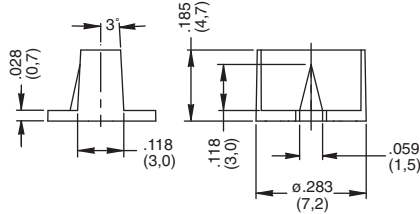
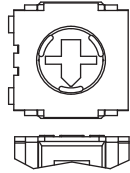


# RTE Series Low Profile Rotary DIP Switches

## BUTTONS AVAILABLE

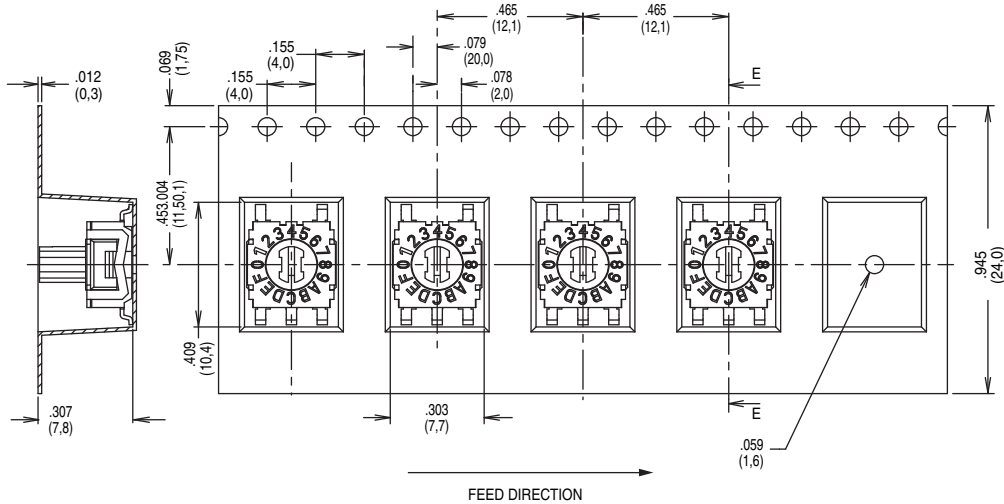
Buttons are ordered separately, shipped in bulk.

| Part Number       | Color |
|-------------------|-------|
| <b>BTN RTE 40</b> | Red   |
| <b>BTN RTE 50</b> | Green |
| <b>BTN RTE 90</b> | Black |

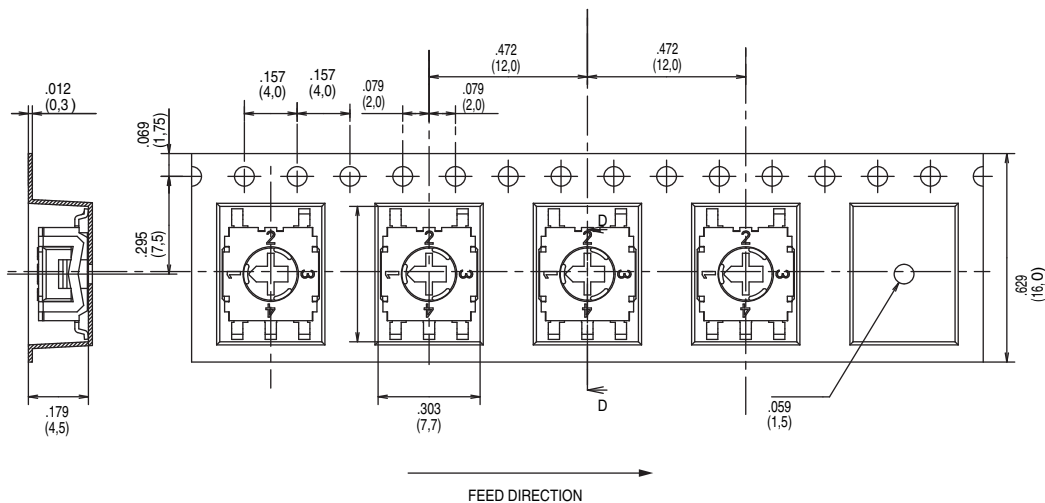


## TAPE AND REEL

Tape and reel for RTExx02Gxx  
750 pieces per reel.



Tape and reel for RTExx00Gxx  
1,250 pieces per reel.



Third Angle  
Projection

Dimensions are shown: Inch (mm)  
Specifications and dimensions subject to change



H  
DIP