



Chipsmall Limited consists of a professional team with an average of over 10 year of expertise in the distribution of electronic components. Based in Hongkong, we have already established firm and mutual-benefit business relationships with customers from,Europe,America and south Asia,supplying obsolete and hard-to-find components to meet their specific needs.

With the principle of “Quality Parts,Customers Priority,Honest Operation,and Considerate Service”,our business mainly focus on the distribution of electronic components. Line cards we deal with include Microchip,ALPS,ROHM,Xilinx,Pulse,ON,Everlight and Freescale. Main products comprise IC,Modules,Potentiometer,IC Socket,Relay,Connector.Our parts cover such applications as commercial,industrial, and automotives areas.

We are looking forward to setting up business relationship with you and hope to provide you with the best service and solution. Let us make a better world for our industry!



Contact us

Tel: +86-755-8981 8866 Fax: +86-755-8427 6832

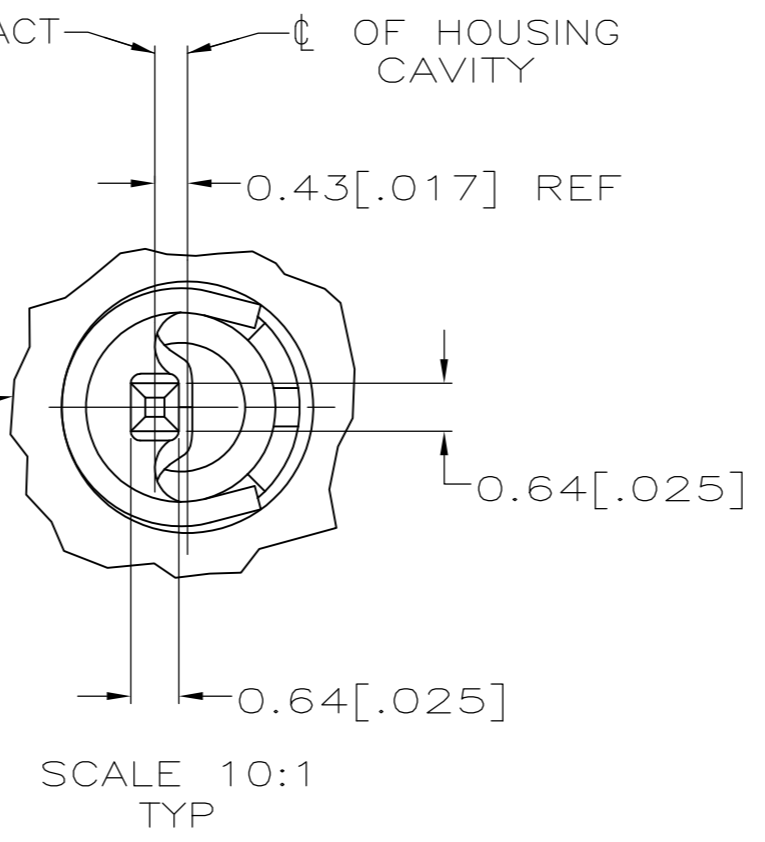
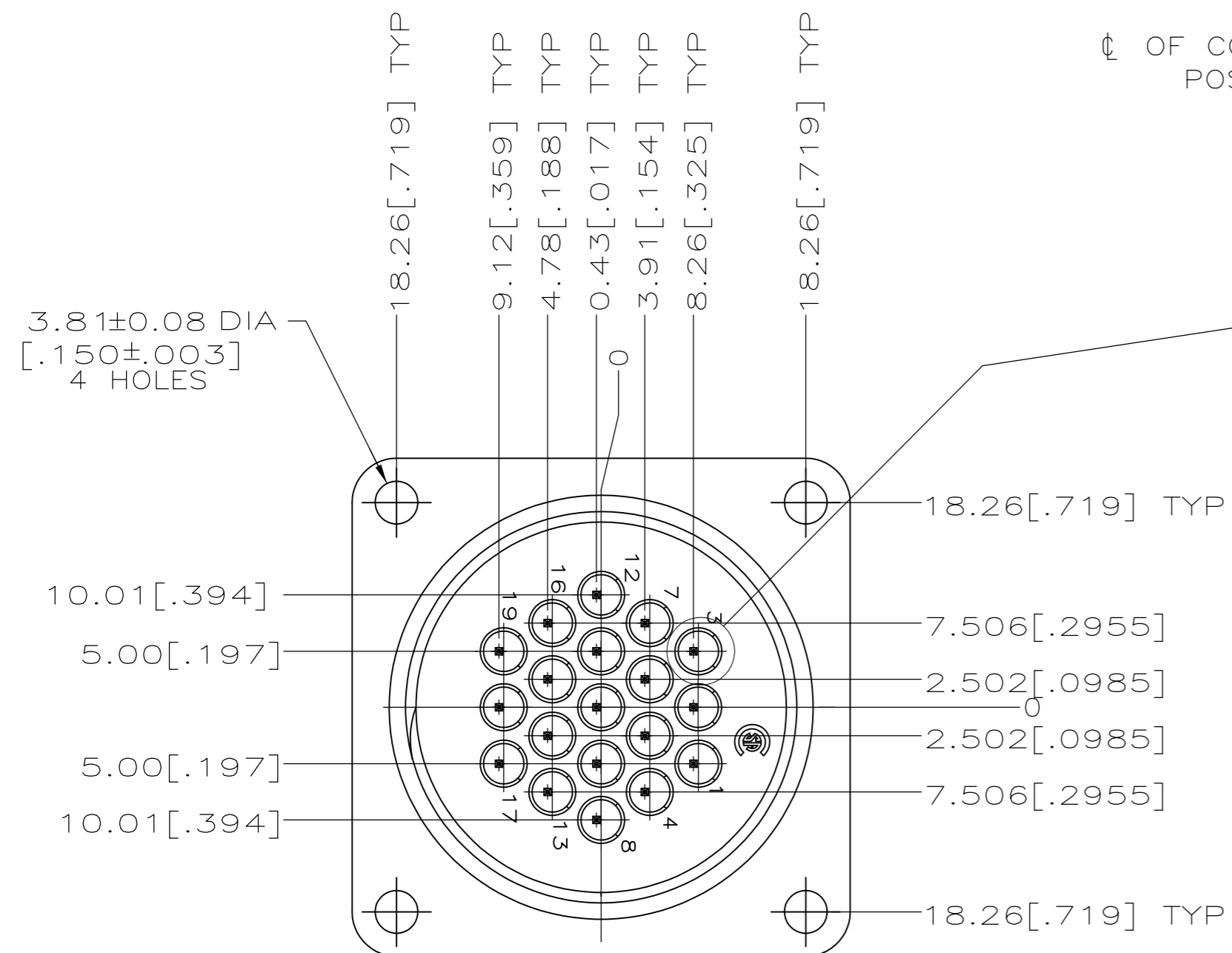
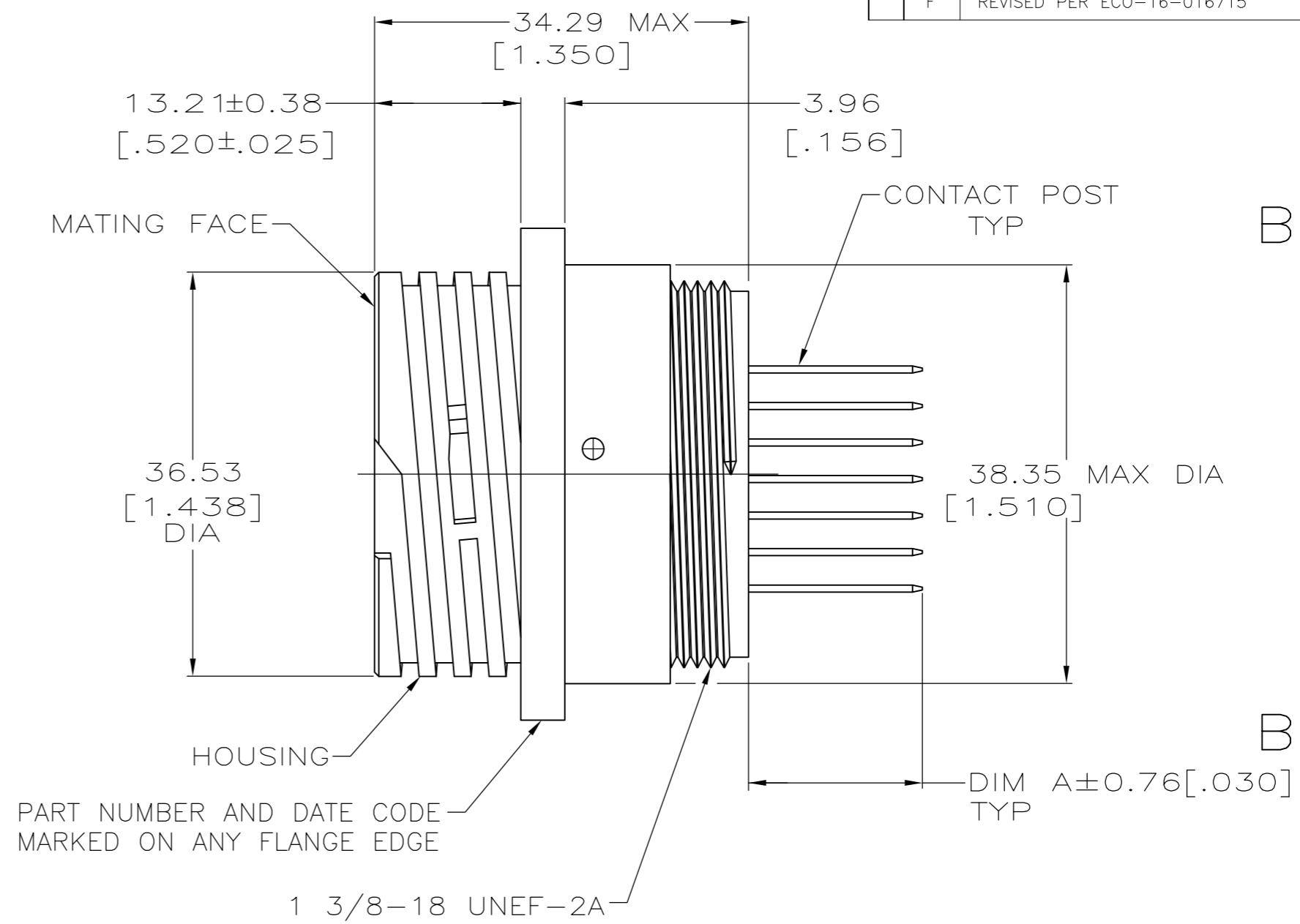
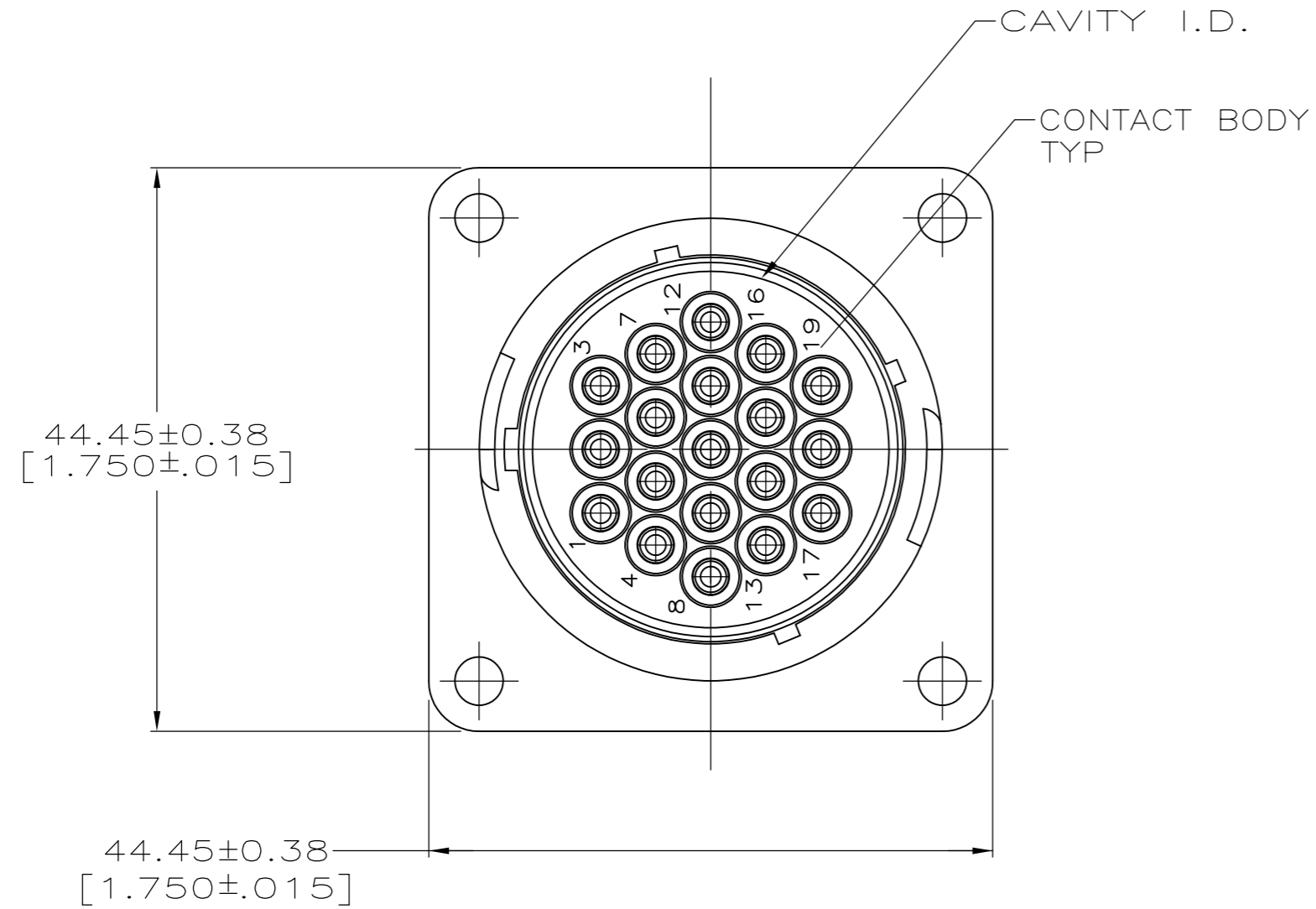
Email & Skype: info@chipsmall.com Web: www.chipsmall.com

Address: A1208, Overseas Decoration Building, #122 Zhenhua RD., Futian, Shenzhen, China



THIS DRAWING IS UNPUBLISHED. RELEASED FOR PUBLICATION
 © COPYRIGHT - By - ALL RIGHTS RESERVED.

REVISIONS				
P	LTR	DESCRIPTION	DATE	APVD
F		REVISED PER ECO-16-016715	23NOV2016	RS MZ



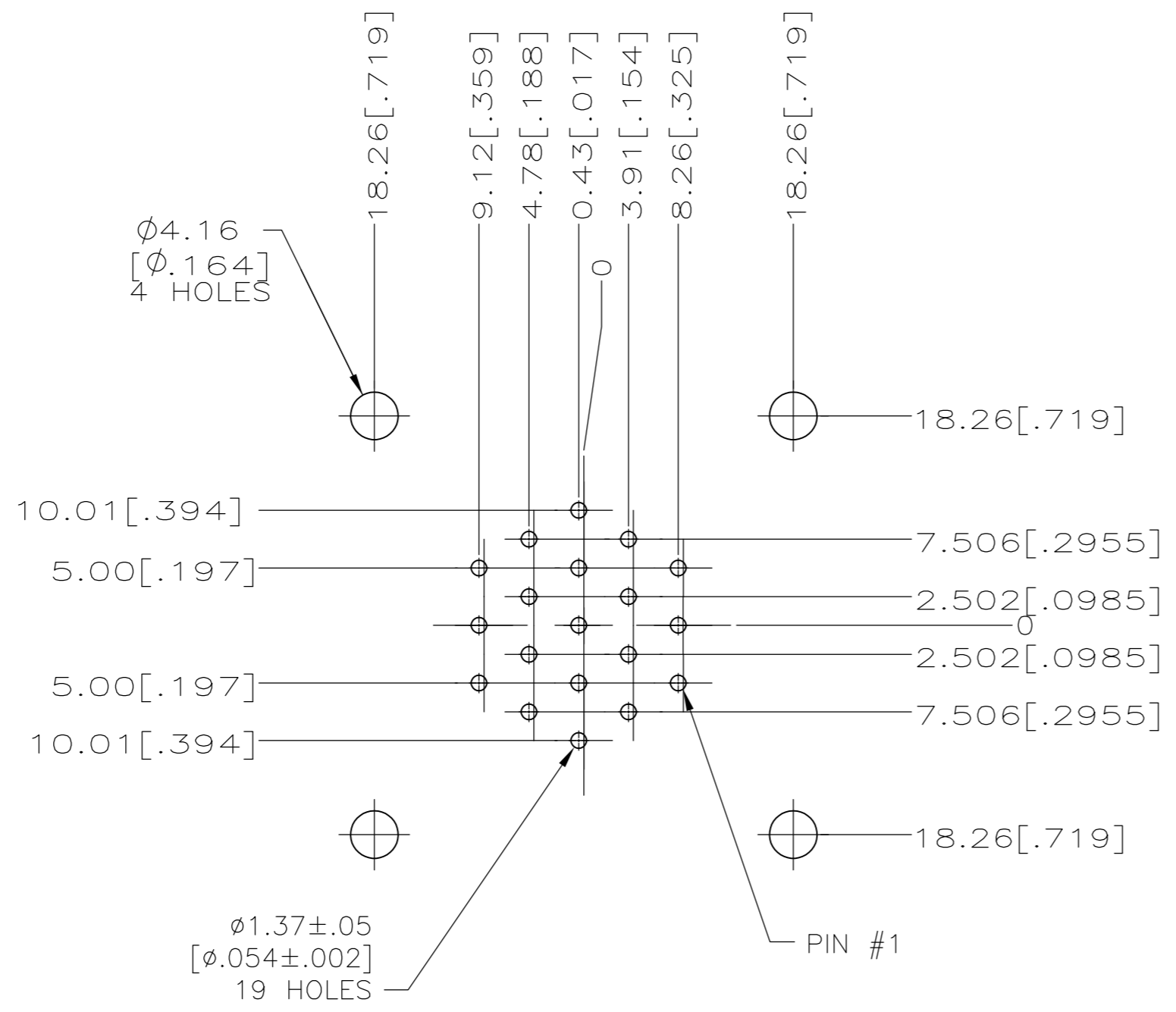
VIEW B-B

OBSOLETE	6.10 [.240]	△6	-213859-4-
	6.20 [.244]	△4	213859-3
	15.70 [.618]	△6	213859-2
OBSOLETE	15.70 [.618]	△4	-213859-1-
	DIM A	CONTACT FINISH	PART NUMBER

THIS DRAWING IS A CONTROLLED DOCUMENT.		DWN D.HARDY 01-06-95	TE Connectivity	
DIMENSIONS: mm [INCHES]		CHK R.STONE 01-09-95		
TOLERANCES UNLESS OTHERWISE SPECIFIED:		APVD -	NAME	
0 PLC ± -		PRODUCT SPEC	108-10024	
1 PLC ± -		APPLICATION SPEC	114-10038	
2 PLC ± 0.25 [.010]		SIZE	CAGE CODE	DRAWING NO
3 PLC ± 0.127 [.0050]		WEIGHT	A2	00779
4 PLC ± -		CUSTOMER DRAWING	C=213859	
ANGLES ± -		SCALE	2:1	
FINISH		SHEET	1 of 2	
CONTACT: SEE TABLE		REV	F	

THIS DRAWING IS UNPUBLISHED. RELEASED FOR PUBLICATION
 © COPYRIGHT - By - ALL RIGHTS RESERVED.

REVISIONS					
P	LTR	DESCRIPTION	DATE	DWN	APVD
-	-	SEE SHEET 1	-	-	-



- 1 NYLON, UL94V-0 RATED, BLACK.
- 2 STAINLESS STEEL.
- 3 BRASS
- 4 CONTACT BODY: 0.76um [0.000030] MIN GOLD FOR A LENGTH OF 5.08 [0.200] MIN FROM MATING END. GOLD FLASH ON REMAINDER, BOTH OVER 1.27um [0.000050] MIN NICKEL. CONTACT POST: 2.54um [0.000100] MIN TIN-LEAD OVER 1.27um [0.000050] MIN NICKEL.
- 5 RECOMMENDED PC BOARD HOLE SIZE FOR CONTACT POST = 0.89 ± 0.08 [0.035 ± 0.003] DIA.
- 6 CONTACT BODY: 0.76um [0.000030] MIN GOLD FOR A LENGTH OF 5.08 [0.200] MIN FROM MATING END. GOLD FLASH ON REMAINDER, BOTH OVER 1.27um [0.000050] MIN NICKEL. CONTACT POST: 2.54um [0.000100] MIN TIN OVER 1.27um [0.000050] MIN NICKEL.

RECOMMENDED P.C. BOARD LAYOUT

THIS DRAWING IS A CONTROLLED DOCUMENT.		DWN D.HARDY 01-06-95																				
DIMENSIONS: mm [INCHES]		CHK R.STONE 01-09-95																				
TOLERANCES UNLESS OTHERWISE SPECIFIED:		APVD -	NAME RECEPTACLE ASSEMBLY, POSTED, STANDARD SEX, 23-19, CPC																			
<table border="0"> <tr><td>0 PLC</td><td>±</td><td>-</td></tr> <tr><td>1 PLC</td><td>±</td><td>-</td></tr> <tr><td>2 PLC</td><td>±</td><td>0.25 [0.010]</td></tr> <tr><td>3 PLC</td><td>±</td><td>0.127 [0.0050]</td></tr> <tr><td>4 PLC</td><td>±</td><td>-</td></tr> <tr><td>ANGLES</td><td>±</td><td>-</td></tr> </table>		0 PLC	±	-	1 PLC	±	-	2 PLC	±	0.25 [0.010]	3 PLC	±	0.127 [0.0050]	4 PLC	±	-	ANGLES	±	-	PRODUCT SPEC 108-10024	SIZE A2	
0 PLC	±	-																				
1 PLC	±	-																				
2 PLC	±	0.25 [0.010]																				
3 PLC	±	0.127 [0.0050]																				
4 PLC	±	-																				
ANGLES	±	-																				
MATERIAL: HOUSING: CONTACT SPRING: CONTACT BODY & POST:		APPLICATION SPEC 114-10038	CAGE CODE 00779	DRAWING NO C=213859																		
FINISH CONTACT: SEE TABLE		WEIGHT -	SCALE 2:1	SHEET 2 OF 2																		
CUSTOMER DRAWING		REV F		RESTRICTED TO -																		