



Chipsmall Limited consists of a professional team with an average of over 10 year of expertise in the distribution of electronic components. Based in Hongkong, we have already established firm and mutual-benefit business relationships with customers from,Europe,America and south Asia,supplying obsolete and hard-to-find components to meet their specific needs.

With the principle of “Quality Parts,Customers Priority,Honest Operation,and Considerate Service”,our business mainly focus on the distribution of electronic components. Line cards we deal with include Microchip,ALPS,ROHM,Xilinx,Pulse,ON,Everlight and Freescale. Main products comprise IC,Modules,Potentiometer,IC Socket,Relay,Connector.Our parts cover such applications as commercial,industrial, and automotives areas.

We are looking forward to setting up business relationship with you and hope to provide you with the best service and solution. Let us make a better world for our industry!



## Contact us

Tel: +86-755-8981 8866 Fax: +86-755-8427 6832

Email & Skype: info@chipsmall.com Web: www.chipsmall.com

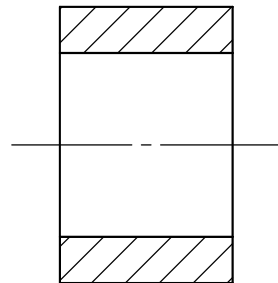
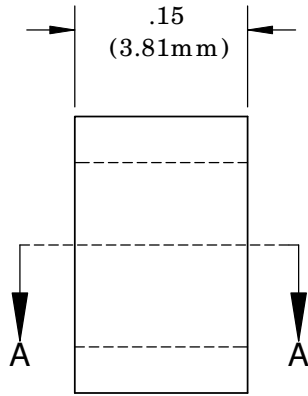
Address: A1208, Overseas Decoration Building, #122 Zhenhua RD., Futian, Shenzhen, China



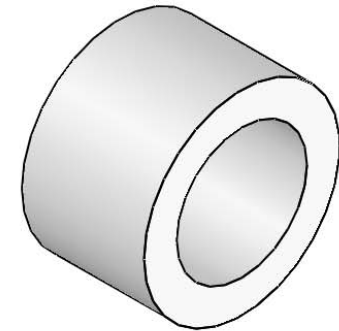
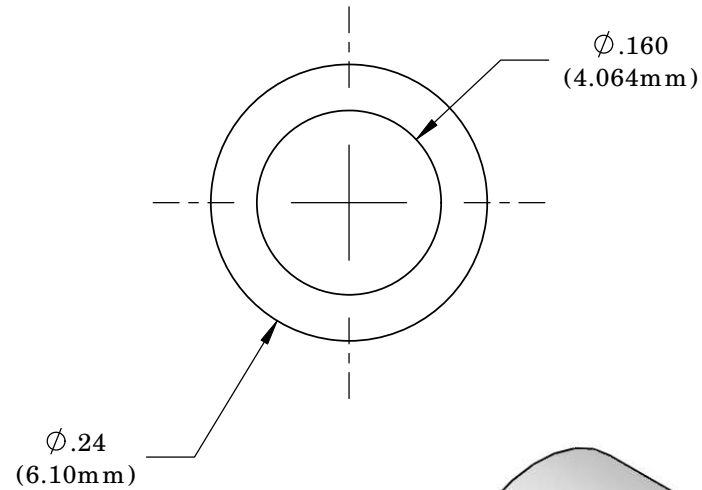
**NOTES:**

1) U.S. & Foreign Pat. Issued & Pending.

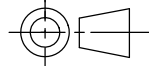
| REVISIONS |     |                           |         |          |
|-----------|-----|---------------------------|---------|----------|
| ECN #     | REV | DESCRIPTION               | DATE    | INITIALS |
|           | N/A | INITIAL RELEASE           | 6/16/99 | JS       |
|           | 001 | REVISED PER EC R11109AZ01 | 2/1/10  | KH       |
| 145       | 002 | CHANGE IN MATERIAL        | 7/12/10 | KH       |



SECTION A-A



ISOMETRIC VIEW

|  |                                      |             |  |                            |
|--|--------------------------------------|-------------|--|----------------------------|
| <small>UNLESS OTHERWISE SPECIFIED<br/>DIMENSIONS ARE IN INCHES:<br/>ANGLES DECIMALS<br/>± 1' .X ±.020<br/>          .XX ±.010<br/>FINISH .XXX ±.005</small><br><br><small>BREAK ALL CORNERS AND SHARP<br/>EDGES .050 MAX</small><br><br><br><small>THIRD ANGLE PROJECTION</small> | <b>MATERIAL</b><br><br>TPE,<br>BLACK |             | <b>VISUAL COMMUNICATIONS COMPANY</b><br>190 Bosstick Boulevard, Suite 101 San Marcos, CA 92069 USA<br>Phone (760) 560-1300 Fax (760) 560-1301 email vccsales@vcclite.com |                            |
|  | <b>FINISH</b><br><br>SEE NOTES       |             | <b>TITLE:</b><br><br>CLIPLITE RTN 150  |                            |
|  | <b>APPROVALS</b>                     | <b>DATE</b> | <b>SIZE</b><br><b>A</b>  | <b>DWG. NO.</b><br>RTN 150 |
|  | DRAWN K.HOWARD                       | 2/1/10      |  | REV<br>002                 |
|  | CHECKED DPZ                          | 2/22/10     | SCALE: 6:1   |                            |
| DO NOT SCALE DRAWING   |                                      |             | SHEET 1 OF 1   |                            |