



Chipsmall Limited consists of a professional team with an average of over 10 year of expertise in the distribution of electronic components. Based in Hongkong, we have already established firm and mutual-benefit business relationships with customers from,Europe,America and south Asia,supplying obsolete and hard-to-find components to meet their specific needs.

With the principle of “Quality Parts,Customers Priority,Honest Operation,and Considerate Service”,our business mainly focus on the distribution of electronic components. Line cards we deal with include Microchip,ALPS,ROHM,Xilinx,Pulse,ON,Everlight and Freescale. Main products comprise IC,Modules,Potentiometer,IC Socket,Relay,Connector.Our parts cover such applications as commercial,industrial, and automotives areas.

We are looking forward to setting up business relationship with you and hope to provide you with the best service and solution. Let us make a better world for our industry!



Contact us

Tel: +86-755-8981 8866 Fax: +86-755-8427 6832

Email & Skype: info@chipsmall.com Web: www.chipsmall.com

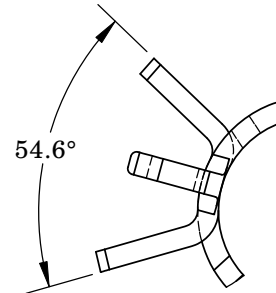
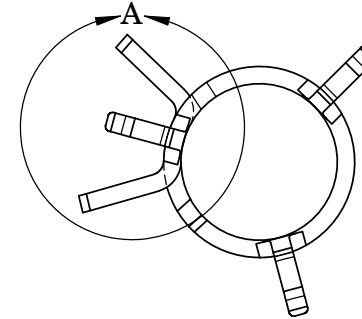
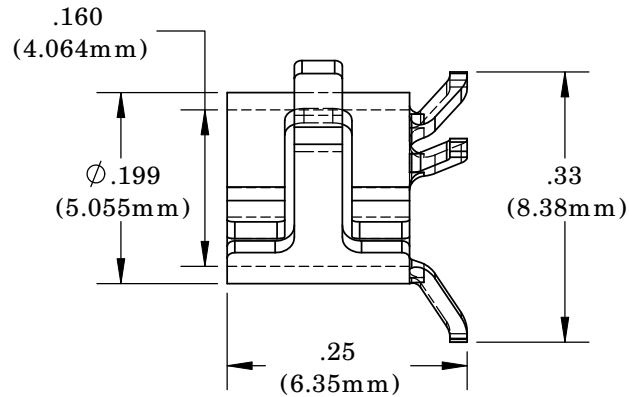
Address: A1208, Overseas Decoration Building, #122 Zhenhua RD., Futian, Shenzhen, China



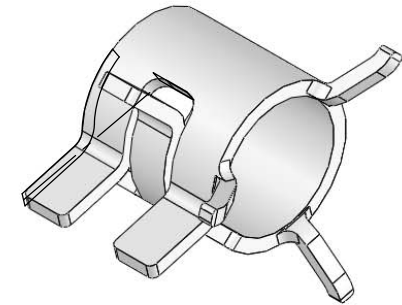
NOTES:

- 1) FINISH: Nickel Plate
- 2) U.S. & Foreign Pat. Issued & Pend.

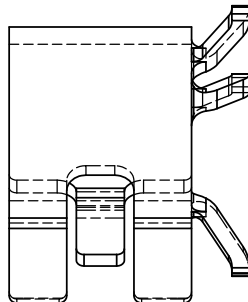
REVISIONS				
ECN #	REV	DESCRIPTION	DATE	INITIALS
	N/A	INITIAL RELEASE	2/17/99	JS
	A	CHANGE R.005 TO R.015;P/N WAS CLV NOW RTN	5/00	JS
	B	CHANGE ϕ .090 TO ϕ .070	6/28/02	JS
	001	REVISED PER ECR111009AZ01	2/16/10	KH

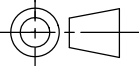


**DETAIL A
SCALE 6 : 1**



ISOMETRIC VIEW



<small>UNLESS OTHERWISE SPECIFIED DIMENSIONS ARE IN INCHES: ANGLES DECIMALS $\pm 1'$.X \pm.020 .XX \pm.010 FINISH .XXX \pm.005 BREAK ALL CORNERS AND SHARP EDGES .250 MAX  THIRD ANGLE PROJECTION <small>PROPRIETARY AND CONFIDENTIAL THE INFORMATION CONTAINED IN THIS DRAWING IS THE SOLE PROPERTY OF VISUAL COMMUNICATIONS COMPANY, INC. ANY REPRODUCTION IN PART OR AS A WHOLE WITHOUT THE WRITTEN PERMISSION OF VISUAL COMMUNICATIONS COMPANY, INC. IS PROHIBITED.</small> </small>	MATERIAL		VISUAL COMMUNICATIONS COMPANY 190 Bosstick Boulevard, Suite 101 San Marcos, CA 92069 USA Phone (760) 560-1300 Fax (760) 560-1301 email vccsales@vccllite.com	
	SPRING STEEL (C1050)			
	FINISH		TITLE: <h2 style="text-align: center;">RTN 250</h2>	
	SEE NOTES			
APPROVALS	DATE	SIZE	DWG. NO.	REV
DRAWN K.Howard	2/16/10	A	RTN 250	001
CHECKED DPZ	2/22/10			
DO NOT SCALE DRAWING		SCALE: 5:1		SHEET 1 OF 1