



Chipsmall Limited consists of a professional team with an average of over 10 year of expertise in the distribution of electronic components. Based in Hongkong, we have already established firm and mutual-benefit business relationships with customers from,Europe,America and south Asia,supplying obsolete and hard-to-find components to meet their specific needs.

With the principle of “Quality Parts,Customers Priority,Honest Operation,and Considerate Service”,our business mainly focus on the distribution of electronic components. Line cards we deal with include Microchip,ALPS,ROHM,Xilinx,Pulse,ON,Everlight and Freescale. Main products comprise IC,Modules,Potentiometer,IC Socket,Relay,Connector.Our parts cover such applications as commercial,industrial, and automotives areas.

We are looking forward to setting up business relationship with you and hope to provide you with the best service and solution. Let us make a better world for our industry!



## Contact us

Tel: +86-755-8981 8866 Fax: +86-755-8427 6832

Email & Skype: info@chipsmall.com Web: www.chipsmall.com

Address: A1208, Overseas Decoration Building, #122 Zhenhua RD., Futian, Shenzhen, China





2 W Conductive Plastic  
Potentiometers  
**380 Series, RV4 Series, 485 Series,  
53C Series, 385 Series**



# Conductive Plastic Potentiometers

Potentiometers convert rotary motion into a change of resistance, supplying a smooth transition of voltage or current levels. The resulting voltage output may be used to control position transducers in a wide variety of potential applications.

The five series listed below are all 2 W plastic potentiometers and are available in resistances from 100 Ohm to 5 MOhm, inclusive. Available tapers include linear, log, and antilog to meet a wide range of application requirements. These single turn devices have a 6,35 mm [0.250 in] diameter shaft that is available in a range of lengths. Most shafts are nickel-plated brass. Most configurations have a standard 3/8-32 NEF-2A bushing; a high torque version is also available. Termination types are solder lug (with or without a center tap), PC pin or fast-on, all are solder-dipped. Custom designs are available upon request.

- **380 Series:** 2 W conductive plastic potentiometer offering low contact resistance variation and a long rotational life
- **RV4 Series:** Military version of the 380 Series; meets MIL-R-94 requirements (non RoHS compliant)
- **485 Series:** Custom version of the 380 Series
- **53C Series:** Cost-effective version of the 380 Series
- **385 Series:** Custom version of the 53C Series

## Table of Contents

|                                       |           |
|---------------------------------------|-----------|
| General Specifications . . . . .      | 3-6       |
| General Configuration Guide . . . . . | 7         |
| 380 Series:                           |           |
| Specific Configurations . . . . .     | 8         |
| Order Guides . . . . .                | 9-15      |
| RV4 Series:                           |           |
| Specific Configurations . . . . .     | 16        |
| Order Guides . . . . .                | 17-18     |
| 485 Series:                           |           |
| Specific Configurations . . . . .     | 19-21     |
| Order Guides . . . . .                | 22-31     |
| 53C Series:                           |           |
| Specific Configurations . . . . .     | 32        |
| Order Guides . . . . .                | 33-37     |
| 385 Series:                           |           |
| Specific Configurations . . . . .     | 38-39     |
| Order Guides . . . . .                | 40-46     |
| Additional Information. . . . .       | back page |

## Key Features and Benefits

- **Cost-effective:** Supplies good performance at a reasonable price
- **Wide range of resistance values (100 Ohm to 5 MOhm, inclusive):** Promotes flexibility in the applications
- **Wide variety of tapers:** Creates flexibility in output signal profile, allowing use in a wide variety of applications

## Potential Applications

### INDUSTRIAL/COMMERCIAL

- Audio and visual equipment (e.g., musical instruments, sound mixers, projectors, amplifiers)
- Foot pedal controls (e.g., guitars, sewing machines, woodworking equipment)
- Machine controls (e.g., joysticks)
- Welding equipment (e.g., MIG wire feed, foot pedal controls, adjustment knobs)

### TRANSPORTATION

- Foot pedal controls (e.g., golf carts)
- Gear shifter, joystick, and throttle position (e.g., construction/agricultural vehicles)

# General Specifications

**Table 1. Electrical Specifications**

| Characteristic   | 380 Series   | RV4 Series | 485 Series   | 53C Series | 385 Series |
|--|--|------------|--|------------|------------|
| Maximum working voltage:<br>linear tapers<br>log, reverse log tapers |  |            | 500 Vdc<br>350 Vdc                                   |            |            |
| Dielectric strength  | 1000 Vac for 60 s at 1 mPa [atm], 450 Vac for 60 s at 11,5 kPa [3.4 inHg]    |            |  |            |            |
| Power rating   | 2 W at 70 °C [158 °F], derated to 120 °C [248 °F]                            |            |  |            |            |
| Taper  | See Order Guides under each series   |            |  |            |            |
| CRV <sup>1</sup> :<br>linear tapers<br>log, reverse log tapers       |  |            | 3% max. total resistance<br>3% max. total resistance |            |            |
| Resistance   | 100 Ohm to 5 MOhm, inclusive. See individual Order Guides under each series. |            |  |            |            |
| Resistance tolerance   | See Order Guides under each series.  |            |  |            |            |
| End resistance   | See Order Guides under each series.  |            |  |            |            |
| Linearity  | ±5%  |            |  |            |            |
| Electrical rotation  | See Order Guides under each series.  |            |  |            |            |

<sup>1</sup>Contact resistance variation is the maximum momentary change in contact resistance that occurs when the wiper is moved from one location to another location. The larger this change, the more difficult it is to set the trimmer potentiometer and the more unstable the long term setting will be.

**Table 2. Mechanical Specifications**

| Characteristic   | 380 Series                           | RV4 Series  | 485 Series  | 53C Series | 385 Series                                       |
|--|--------------------------------------|---|---|------------|--|
| Shaft:<br>material<br>diameter   |                                      |   | nickel-plated brass <sup>1</sup><br>6,35 mm [0.250 in]  |            |  |
| Retaining ring<br>material   | nickel-plated brass                  |   | nickel-plated<br>beryllium copper   |            | nickel-plated brass                              |
| Bushing:<br>material<br>thread   |                                      |   | nickel-plated brass<br>3/8-32 NEF-2A  |            |  |
| Termination base<br>material   | thermoset                            |   |   |            |  |
| Terminal material  | brass; solder<br>(SAC305) dip finish | brass; solder<br>(SAC305) dip or<br>tin-lead finish | brass; solder<br>(SAC305) dip finish  |            | brass; solder (SAC305) dip or<br>tin-lead finish |
| Housing material   | stainless steel                      |   |   |            |  |
| Base material  | thermoset plastic                    |   |   |            |  |
| Mounting<br>hardware material:<br>jam nut<br>mounting nut<br>lock washer<br>o-ring |                                      |   | nickel-plated brass<br>nickel-plated brass<br>nickel-plated brass phospher bronze <sup>1</sup><br>silicone rubber |            |  |
| Operating torque   | See Order Guides under each series.  |   |   |            |  |
| Stop torque  | See Order Guides under each series.  |   |   |            |  |
| Weight (approx.)   | 32.7 g [0.072 lb]                    |   |   |            |  |

<sup>1</sup>Unless otherwise specified on the Order Guides under each series.

# General Specifications

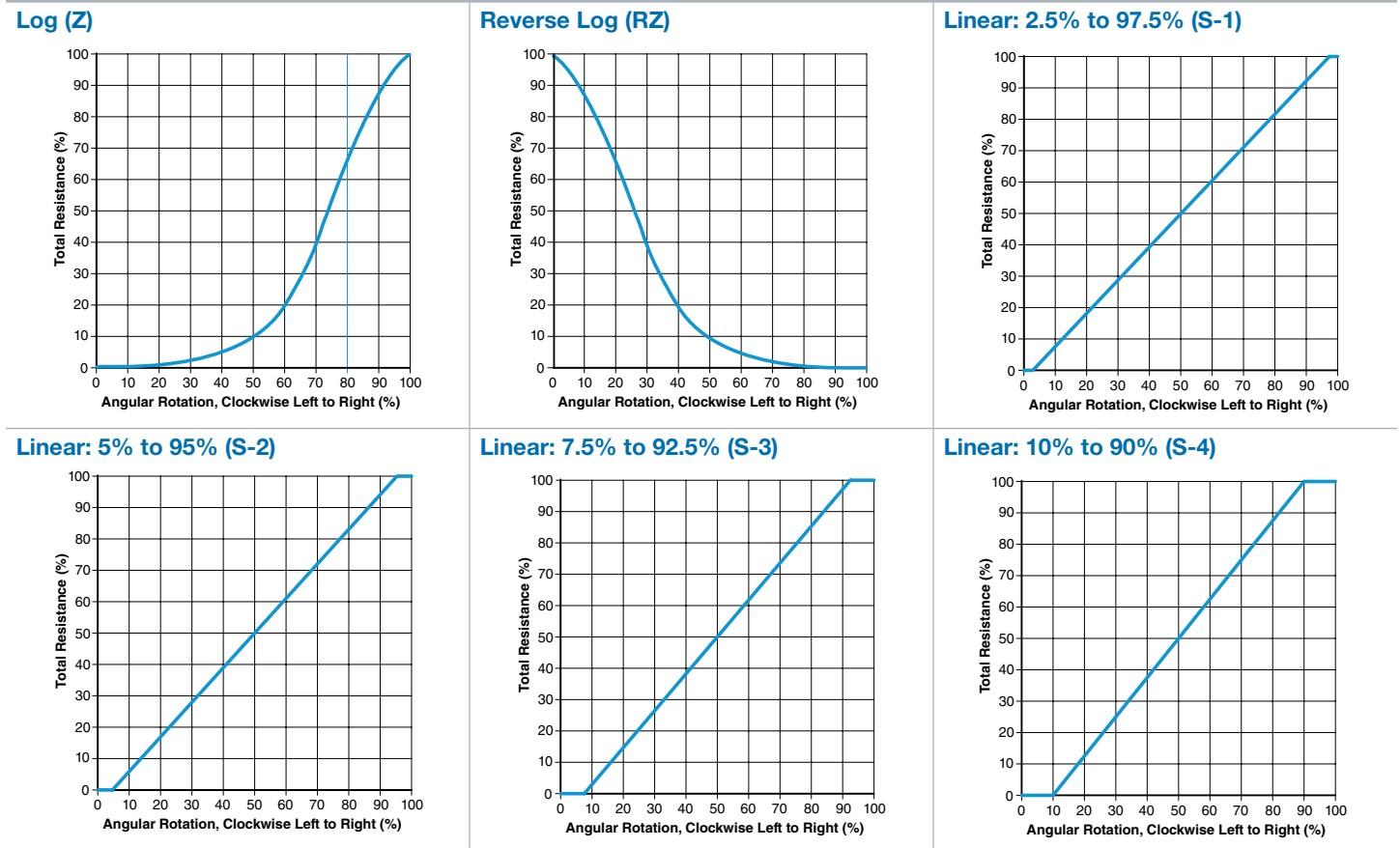
Table 3. Environmental Specifications

| Characteristic        | 380 Series                          | RV4 Series | 485 Series | 53C Series | 385 Series |
|-----------------------|-------------------------------------|------------|------------|------------|------------|
| Operating temperature | -55 °C to 120 °C [-67 °F to 248 °F] |            |            |            |            |
| Rotational life       | tested to 25,000 cycles             |            |            |            |            |

Table 4. Maximum Percent Temporary Resistance from 25 °C [77 °F]

| Nominal Resistance | Temperature     |                 |              |               |                |                |                 |
|--------------------|-----------------|-----------------|--------------|---------------|----------------|----------------|-----------------|
|                    | -55 °C [-67 °F] | -40 °C [-40 °F] | 0 °C [32 °F] | 25 °C [77 °F] | 55 °C [131 °F] | 85 °C [185 °F] | 120 °C [248 °F] |
| 100 Ohm            | ±5.0            | ±4.0            | ±1.5         | 0             | ±1.5           | ±2.0           | ±3.5            |
| 10 kOhm            | +7.0            | +5.5            | +2.0         | 0             | ±1.5           | ±2.5           | ±5.5            |
| 100 kOhm           | +8.0            | +6.0            | +2.5         | 0             | ±2.0           | ±3.5           | ±6.0            |
| 1 MOhm             | +10.0           | +8.0            | +3.0         | 0             | ±2.5           | ±4.0           | ±7.5            |

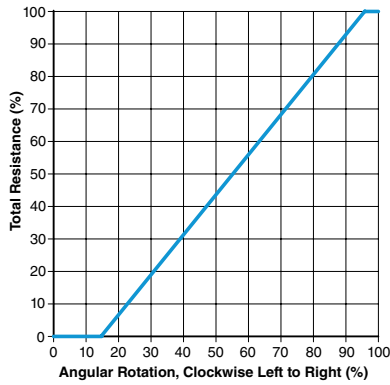
Figure 1. Electrical Taper Diagrams (For reference only.)



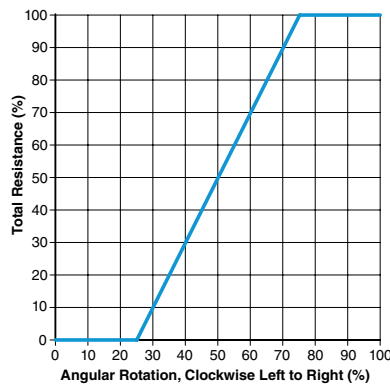
# General Specifications

Figure 1. Electrical Taper Diagrams (continued)

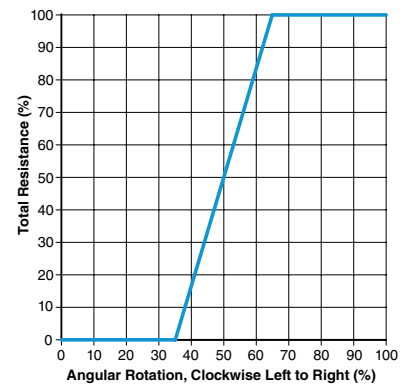
**Linear: 15% to 95% (S-5)**



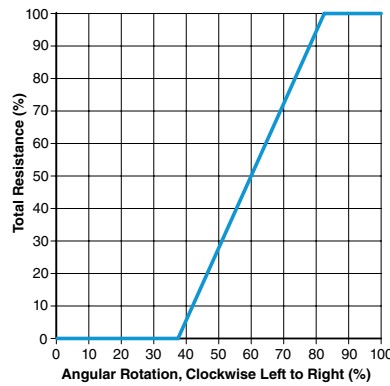
**Linear: 25% to 75% (S-6)**



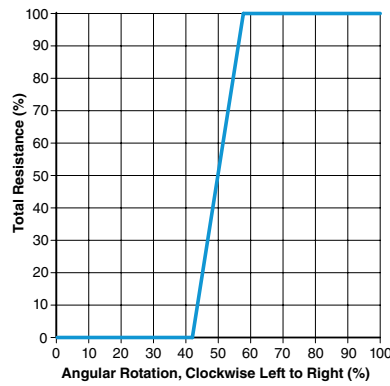
**Linear: 35% to 65% (S-7)**



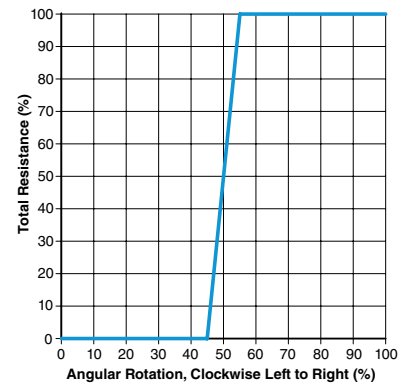
**Linear: 37.5% to 82.5% (S-8)**



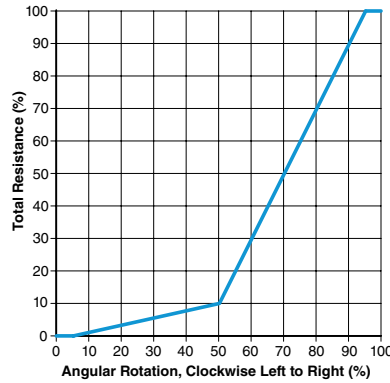
**Linear: 42.5% to 57.5% (S-9)**



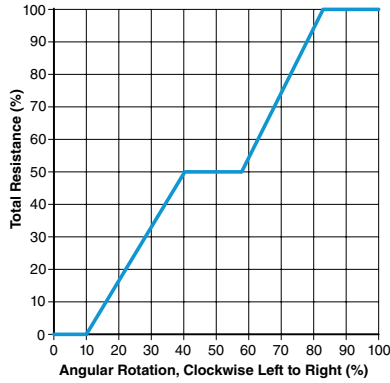
**Linear: 45% to 55% (S-10)**



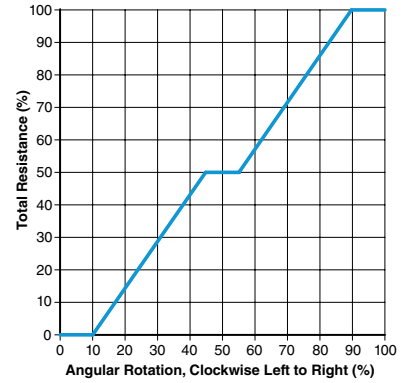
**Linear: 5% to 50%; 50% to 90% (S-11)**



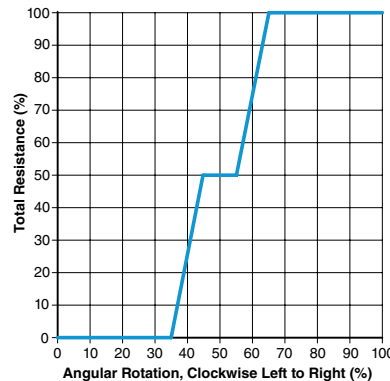
**Linear: 10% to 40%; 57.5% to 82.5% (S-12)**



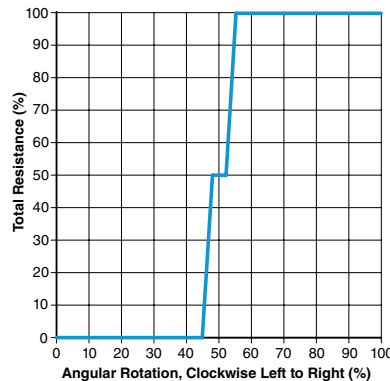
**Linear: 10% to 45%; 55% to 90% (S-13)**



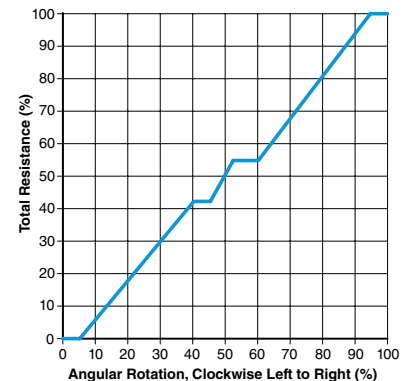
**Linear: 35% to 45%; 55% to 65% (S-14)**



**Linear: 45% to 47.5%; 47.5% to 52.5%; 52.5% to 55% (S-15)**



**Linear: 5% to 40%; 45% to 52.5%; 60% to 95% (S-16)**



# General Specifications

Figure 2. Power Derating Curve

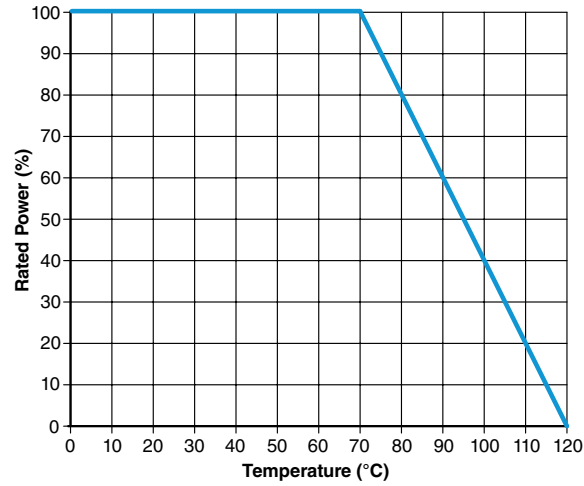
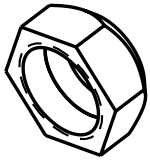


Figure 3. Mounting Hardware

### Jam Nut

7,94 mm [5/16 in] across flats  
3,97 mm [5/32 in] thick



### Mounting Nut

1/4 x 32 thread  
7,94 mm [5/16 in] across flats



### Lock Washer

10,32 mm [5/16 in] outside  
diameter 0,64 mm [0.025 in] thick



### O-Ring

6,35 mm [0.25 in] outside diameter  
1,78 mm [0.070 in] thick

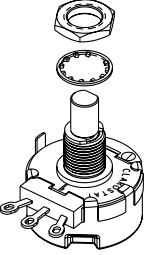
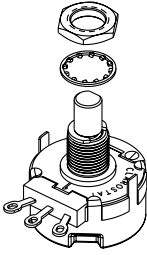
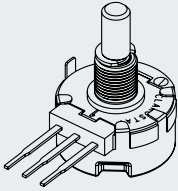
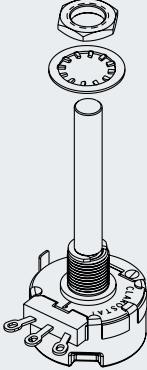
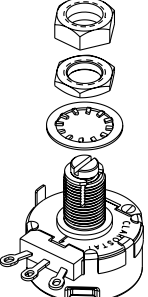
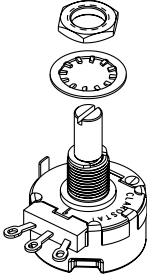
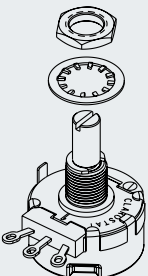
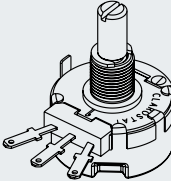
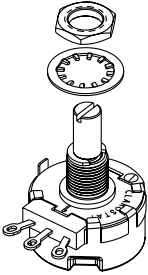






# 380 Series Specific Configurations

Table 5. 380 Series Specific Configurations

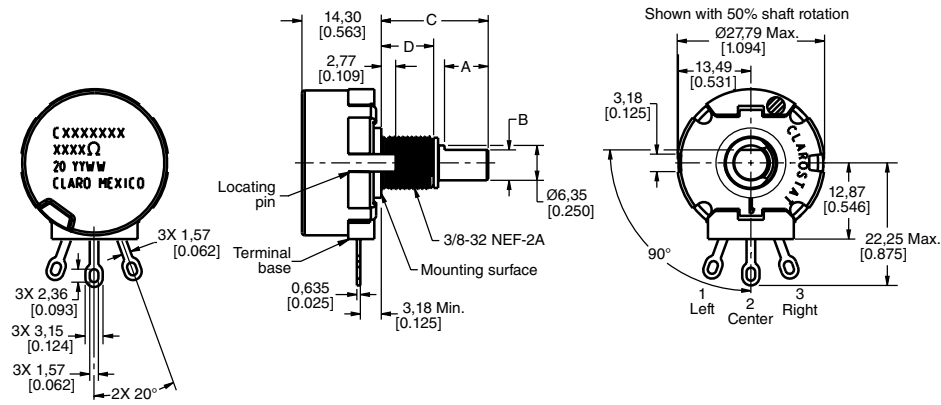
| Shaft Type                               | Bushing Type                    | AR Pin | Termination | Configuration with Associated Hardware  | Shaft Type                               | Bushing Type                 | AR Pin | Termination | Configuration with Associated Hardware  |
|--|---------------------------------|--------|-------------|---|--|------------------------------|--------|-------------|---|
| <b>380-A (See Table 380-A on p. 9.)</b>  |                                 |        |             |    | <b>380-B (See Table 380-B on p. 10.)</b> |                              |        |             |    |
| flatted                                  | standard, 9,53 mm [0.375 in]    | 1      | solder lug  |   | slotted                                  | standard, 9,53 mm [0.375 in] | 2      | solder lug  |   |
| <b>380-C (See Table 380-C on p. 10.)</b> |                                 |        |             |    | <b>380-D (See Table 380-D on p. 11.)</b> |                              |        |             |    |
| flatted                                  | standard, 9,53 mm [0.375 in]    | 1      | PC pin      |   | round                                    | standard, 9,53 mm [0.375 in] | 1      | solder lug  |   |
| <b>380-E (See Table 380-E on p. 12.)</b> |                                 |        |             |   | <b>380-F (See Table 380-F on p. 13.)</b> |                              |        |             |  |
| slotted                                  | high torque, 12,7 mm [0.500 in] | 1      | solder lug  |   | slotted                                  | standard, 9,53 mm [0.375 in] | 1      | solder lug  |   |
| <b>380-G (See Table 380-G on p. 14.)</b> |                                 |        |             |  | <b>380-H (See Table 380-H on p. 14.)</b> |                              |        |             |  |
| slotted                                  | standard, 9,53 mm [0.375 in]    | 1      | solder lug  |   | slotted                                  | standard, 9,53 mm [0.375 in] | 1      | fast-on     |   |
| <b>380-I (See Table 380-I on p. 15.)</b> |                                 |        |             |  |  |                              |        |             |   |
| slotted                                  | standard, 9,53 mm [0.375 in]    | 2      | solder lug  |   |  |                              |        |             |   |

# 380 Series Order Guides

Table 380-A Order Guide

| Catalog Listing            | Electrical       |                                  |                                  |                                   |  |                                       |       | Mechanical                   |                                 |                           |            | Dimensions              |                            |                          |                            | RoHS Compliant | Mounting Hardware |
|----------------------------|------------------|----------------------------------|----------------------------------|-----------------------------------|--|---------------------------------------|-------|------------------------------|---------------------------------|---------------------------|------------|-------------------------|----------------------------|--------------------------|----------------------------|----------------|-------------------|
|                            | Resistance (Ohm) | Resistance Tolerance ( $\pm\%$ ) | End Resistance at CW, Max. (Ohm) | End Resistance at CCW, Max. (Ohm) | Effective Electrical Rotation, Typ. (Degree) | Electrical Rotation, $\pm 3$ (Degree) | Taper | Mechanical Rotation (Degree) | Operating Torque (mN m [in-oz]) | Stop Torque (N m [in-lb]) | Shaft Seal | A Flat Length (mm [in]) | B Flat Thickness (mm [in]) | C Shaft Length (mm [in]) | D Bushing Length (mm [in]) |                |                   |
| 380000M8629                | 1 k              | 10                               | 4                                | 4                                 | 274  | 312                                   | S-4   | 312                          | 1-4 [7-28]                      | 12 [1.4]                  | no         | 7,95 [0.313]            | 5,54 [0.218]               | 19,46 [0.766]            | 9,53 [0.375]               | yes            | unassembled       |
| 380000M8630                | 2.5 k            | 10                               | 4                                | 4                                 | 274  | 312                                   | S-4   | 312                          | 1-4 [7-28]                      | 12 [1.4]                  | no         | 7,95 [0.313]            | 5,54 [0.218]               | 19,46 [0.766]            | 9,53 [0.375]               | yes            | unassembled       |
| 380000M8643                | 1 k              | 10                               | 4                                | 4                                 | 274  | 312                                   | S-4   | 312                          | 1-4 [7-28]                      | 12 [1.4]                  | no         | 14,30 [0.563]           | 5,54 [0.218]               | 25,4 [1.000]             | 9,53 [0.375]               | yes            | unassembled       |
| 380000M8682                | 50 k             | 10                               | 4                                | 4                                 | 274  | 312                                   | S-4   | 312                          | 1-4 [7-28]                      | 12 [1.4]                  | no         | 7,95 [0.313]            | 5,54 [0.218]               | 19,46 [0.766]            | 9,53 [0.375]               | yes            | unassembled       |
| 380017M0007 <sup>1,2</sup> | 500              | 10                               | 4                                | 4                                 | 274  | 312                                   | S-4   | 312                          | 6 [7-42]                        | 12 [1.4]                  | yes        | 7,95 [0.313]            | 5,54 [0.218]               | 22,23 [0.875]            | 9,53 [0.375]               | no             | unassembled       |
| 380017M8606                | 10 k             | 10                               | 4                                | 4                                 | 274  | 312                                   | S-4   | 312                          | 6 [7-42]                        | 12 [1.4]                  | yes        | 7,95 [0.313]            | 5,54 [0.218]               | 19,05 [0.750]            | 9,53 [0.375]               | yes            | unassembled       |
| 380017M8768 <sup>1</sup>   | 25 k             | 10                               | 4                                | 4                                 | 274  | 312                                   | S-4   | 312                          | 6 [7-42]                        | 12 [1.4]                  | yes        | 7,95 [0.313]            | 5,54 [0.218]               | 19,05 [0.750]            | 9,53 [0.375]               | yes            | unassembled       |
| 380017M9550 <sup>1</sup>   | 5 k              | 10                               | 4                                | 4                                 | 274  | 312                                   | S-4   | 312                          | 6 [7-42]                        | 12 [1.4]                  | yes        | 7,95 [0.313]            | 5,54 [0.218]               | 19,05 [0.750]            | 9,53 [0.375]               | yes            | unassembled       |

Dimensional Drawings (For reference only: mm [in].)



<sup>1</sup>Supplied with nickel-plated, phosphor bronze lock washer.

<sup>2</sup>Supplied with two mounting nuts.

# 380 Series Order Guides

Table 380-B Order Guide

| Catalog Listing | Electrical       |                                  |                                  |                                   |  |                                       |       | Mechanical                   |                                 |                           |            | Dimensions              |                            |                          |                            | RoHS Compliant | Mounting Hardware |
|-----------------|------------------|----------------------------------|----------------------------------|-----------------------------------|--|---------------------------------------|-------|------------------------------|---------------------------------|---------------------------|------------|-------------------------|----------------------------|--------------------------|----------------------------|----------------|-------------------|
|                 | Resistance (Ohm) | Resistance Tolerance ( $\pm\%$ ) | End Resistance at CW, Max. (Ohm) | End Resistance at CCW, Max. (Ohm) | Effective Electrical Rotation, Typ. (Degree) | Electrical Rotation, $\pm 3$ (Degree) | Taper | Mechanical Rotation (Degree) | Operating Torque (mN m [in-oz]) | Stop Torque (N m [in-lb]) | Shaft Seal | A Flat Length (mm [in]) | B Flat Thickness (mm [in]) | C Shaft Length (mm [in]) | D Bushing Length (mm [in]) |                |                   |
| 3800017M8956    | 10 k             | 10                               | 4                                | 4                                 | 274  | 312                                   | S-4   | 312                          | 1-6 [7-42]                      | 12 [1.4]                  | yes        | 7.95 [0.313]            | 5.54 [0.218]               | 19,05 [0.750]            | 9,53 [0.375]               | yes            | unassembled       |

Dimensional Drawings (For reference only: mm [in].)

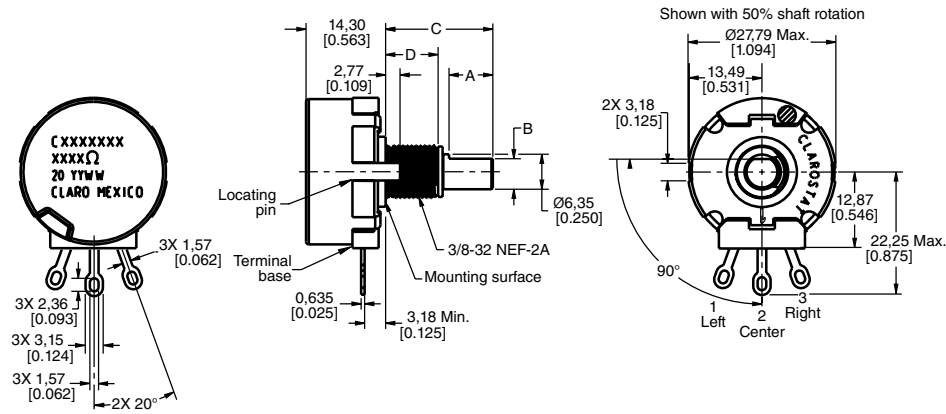
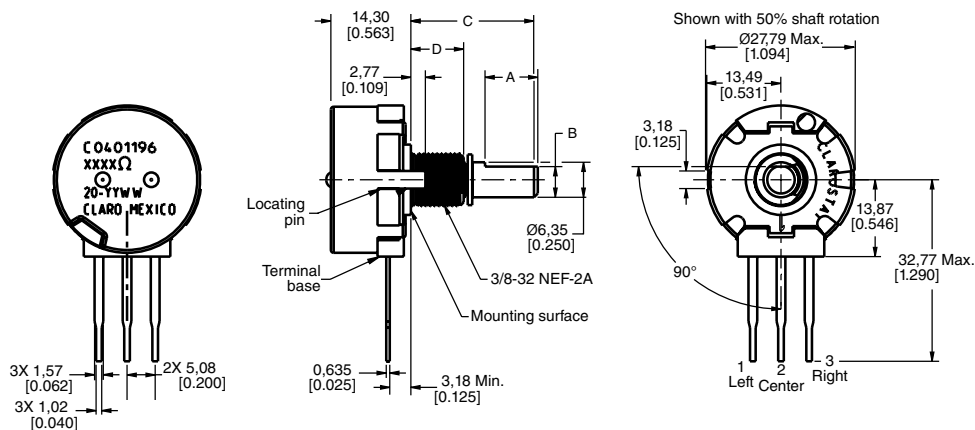


Table 380-C Order Guide

| Catalog Listing | Electrical       |                                  |                                  |                                   |  |                                       |       | Mechanical                   |                                 |                           |            | Dimensions              |                            |                          |                            | RoHS Compliant | Mounting Hardware |
|-----------------|------------------|----------------------------------|----------------------------------|-----------------------------------|--|---------------------------------------|-------|------------------------------|---------------------------------|---------------------------|------------|-------------------------|----------------------------|--------------------------|----------------------------|----------------|-------------------|
|                 | Resistance (Ohm) | Resistance Tolerance ( $\pm\%$ ) | End Resistance at CW, Max. (Ohm) | End Resistance at CCW, Max. (Ohm) | Effective Electrical Rotation, Typ. (Degree) | Electrical Rotation, $\pm 3$ (Degree) | Taper | Mechanical Rotation (Degree) | Operating Torque (mN m [in-oz]) | Stop Torque (N m [in-lb]) | Shaft Seal | A Flat Length (mm [in]) | B Flat Thickness (mm [in]) | C Shaft Length (mm [in]) | D Bushing Length (mm [in]) |                |                   |
| 380096M9088     | 10 k             | 10                               | 4                                | 4                                 | 288  | 312                                   | S-2   | 312                          | 1-6 [7-42]                      | 12 [1.4]                  | yes        | 9,53 [0.375]            | 5,54 [0.218]               | 22,23 [0.875]            | 9,27 [0.365]               | yes            | none              |

Dimensional Drawings (For reference only: mm [in].)

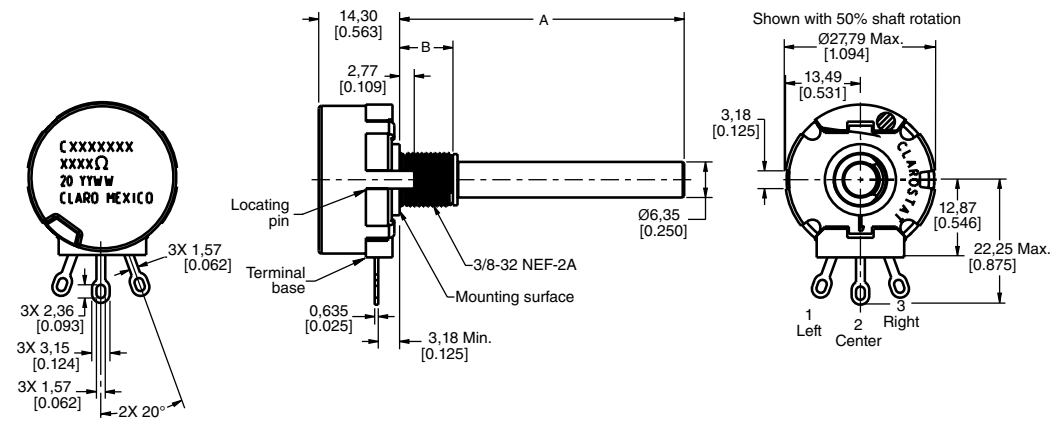


# 380 Series Order Guides

Table 380-D Order Guide

| Catalog Listing | Electrical       |                                  |                                  |                                   |  |                                       |       | Mechanical                   |                                 |                           |            | Dimensions             |                          | RoHS Compliant | Mounting Hardware |
|-----------------|------------------|----------------------------------|----------------------------------|-----------------------------------|--|---------------------------------------|-------|------------------------------|---------------------------------|---------------------------|------------|------------------------|--------------------------|----------------|-------------------|
|                 | Resistance (Ohm) | Resistance Tolerance ( $\pm\%$ ) | End Resistance at CW, Max. (Ohm) | End Resistance at CCW, Max. (Ohm) | Effective Electrical Rotation, Typ. (Degree) | Electrical Rotation, $\pm 3$ (Degree) | Taper | Mechanical Rotation (Degree) | Operating Torque (mN m [in-oz]) | Stop Torque (N m [in-lb]) | Shaft Seal | Shaft Length (mm [in]) | Bushing Length (mm [in]) |                |                   |
| 380C1100        | 100              | 10                               | 4                                | 4                                 | 274  | 312                                   | S-4   | 312                          | 1-4 [7-28]                      | 12 [1.4]                  | no         | 50,8 [2.000]           | 9,53 [0.375]             | yes            | unassembled       |
| 380C11000       | 1000             | 10                               | 4                                | 4                                 | 274  | 312                                   | S-4   | 312                          | 1-4 [7-28]                      | 12 [1.4]                  | no         | 50,8 [2.000]           | 9,53 [0.375]             | yes            | unassembled       |
| 380C1100K       | 100 k            | 10                               | 4                                | 4                                 | 274  | 312                                   | S-4   | 312                          | 1-4 [7-28]                      | 12 [1.4]                  | no         | 50,8 [2.000]           | 9,53 [0.375]             | yes            | unassembled       |
| 380C110K        | 10 k             | 10                               | 4                                | 4                                 | 274  | 312                                   | S-4   | 312                          | 1-4 [7-28]                      | 12 [1.4]                  | no         | 50,8 [2.000]           | 9,53 [0.375]             | yes            | unassembled       |
| 380C11MEG       | 1 M              | 10                               | 10                               | 10                                | 274  | 312                                   | S-4   | 312                          | 1-4 [7-28]                      | 12 [1.4]                  | no         | 50,8 [2.000]           | 9,53 [0.375]             | yes            | unassembled       |
| 380C12000       | 2 k              | 10                               | 4                                | 4                                 | 274  | 312                                   | S-4   | 312                          | 1-4 [7-28]                      | 12 [1.4]                  | no         | 50,8 [2.000]           | 9,53 [0.375]             | yes            | unassembled       |
| 380C120K        | 20 k             | 10                               | 4                                | 4                                 | 274  | 312                                   | S-4   | 312                          | 1-4 [7-28]                      | 12 [1.4]                  | no         | 50,8 [2.000]           | 9,53 [0.375]             | no             | unassembled       |
| 380C1250        | 250              | 10                               | 4                                | 4                                 | 274  | 312                                   | S-4   | 312                          | 1-4 [7-28]                      | 12 [1.4]                  | no         | 50,8 [2.000]           | 9,53 [0.375]             | yes            | unassembled       |
| 380C12500       | 2.5 k            | 10                               | 4                                | 4                                 | 274  | 312                                   | S-4   | 312                          | 1-4 [7-28]                      | 12 [1.4]                  | no         | 50,8 [2.000]           | 9,53 [0.375]             | yes            | unassembled       |
| 380C125K        | 25 k             | 10                               | 4                                | 4                                 | 274  | 312                                   | S-4   | 312                          | 1-4 [7-28]                      | 12 [1.4]                  | no         | 50,8 [2.000]           | 9,53 [0.375]             | yes            | unassembled       |
| 380C135K        | 35 k             | 10                               | 4                                | 4                                 | 274  | 312                                   | S-4   | 312                          | 1-4 [7-28]                      | 12 [1.4]                  | no         | 50,8 [2.000]           | 9,53 [0.375]             | yes            | unassembled       |
| 380C1500        | 500              | 10                               | 4                                | 4                                 | 274  | 312                                   | S-4   | 312                          | 1-4 [7-28]                      | 12 [1.4]                  | no         | 50,8 [2.000]           | 9,53 [0.375]             | yes            | unassembled       |
| 380C15000       | 5 k              | 10                               | 4                                | 4                                 | 274  | 312                                   | S-4   | 312                          | 1-4 [7-28]                      | 12 [1.4]                  | no         | 50,8 [2.000]           | 9,53 [0.375]             | yes            | unassembled       |
| 380C1500K       | 500 k            | 10                               | 10                               | 10                                | 274  | 312                                   | S-4   | 312                          | 1-4 [7-28]                      | 12 [1.4]                  | no         | 50,8 [2.000]           | 9,53 [0.375]             | yes            | unassembled       |
| 380C150K        | 50 k             | 10                               | 4                                | 4                                 | 274  | 312                                   | S-4   | 312                          | 1-4 [7-28]                      | 12 [1.4]                  | no         | 50,8 [2.000]           | 9,53 [0.375]             | yes            | unassembled       |

Dimensional Drawings (For reference only: mm [in].)

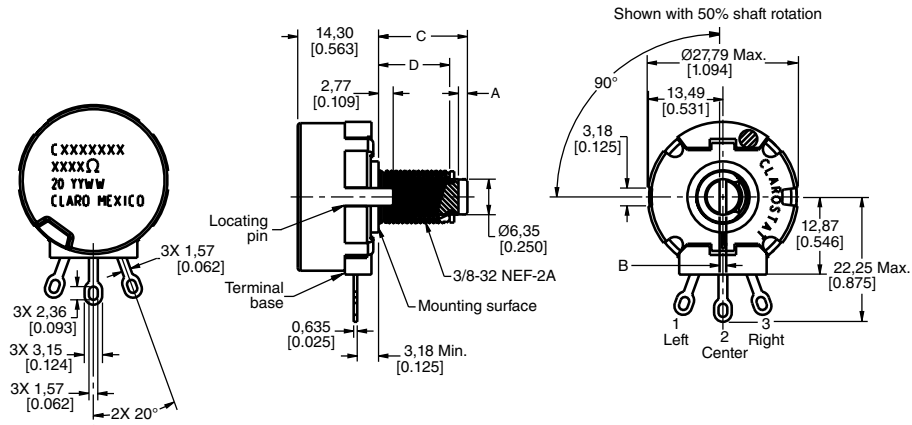


# 380 Series Order Guides

Table 380-E Order Guide

| Catalog Listing | Electrical       |                           |                                  |                                   |  |                                  |       | Mechanical                   |                                 |                           |            | Dimensions             |                        |                          |                            | RoHS Compliant | Mounting Hardware |
|-----------------|------------------|---------------------------|----------------------------------|-----------------------------------|--|----------------------------------|-------|------------------------------|---------------------------------|---------------------------|------------|------------------------|------------------------|--------------------------|----------------------------|----------------|-------------------|
|                 | Resistance (Ohm) | Resistance Tolerance (±%) | End Resistance at CW, Max. (Ohm) | End Resistance at CCW, Max. (Ohm) | Effective Electrical Rotation, Typ. (Degree) | Electrical Rotation, ±3 (Degree) | Taper | Mechanical Rotation (Degree) | Operating Torque (mN m [in-oz]) | Stop Torque (N m [in-lb]) | Shaft Seal | A Slot Depth (mm [in]) | B Slot Width (mm [in]) | C Shaft Length (mm [in]) | D Bushing Length (mm [in]) |                |                   |
| 380C2000        | 1 k              | 10                        | 4                                | 4                                 | 274  | 312                              | S-4   | 312                          | 1-4 [7-28]                      | 12 [1.4]                  | no         | 1,60 [0.063]           | 1,19 [0.047]           | 15,88 [0.625]            | 12,7 [0.500]               | yes            | unassembled       |
| 380C210K        | 10 k             | 10                        | 4                                | 4                                 | 274  | 312                              | S-4   | 312                          | 1-4 [7-28]                      | 12 [1.4]                  | no         | 1,60 [0.063]           | 1,19 [0.047]           | 15,88 [0.625]            | 12,7 [0.500]               | yes            | unassembled       |
| 380C225K        | 25 k             | 10                        | 4                                | 4                                 | 274  | 312                              | S-4   | 312                          | 1-4 [7-28]                      | 12 [1.4]                  | no         | 1,60 [0.063]           | 1,19 [0.047]           | 15,88 [0.625]            | 12,7 [0.500]               | yes            | unassembled       |
| 380C25000       | 5 k              | 10                        | 4                                | 4                                 | 274  | 312                              | S-4   | 312                          | 1-4 [7-28]                      | 12 [1.4]                  | no         | 1,60 [0.063]           | 1,19 [0.047]           | 15,88 [0.625]            | 12,7 [0.500]               | yes            | unassembled       |

**Dimensional Drawings (For reference only: mm [in].)**

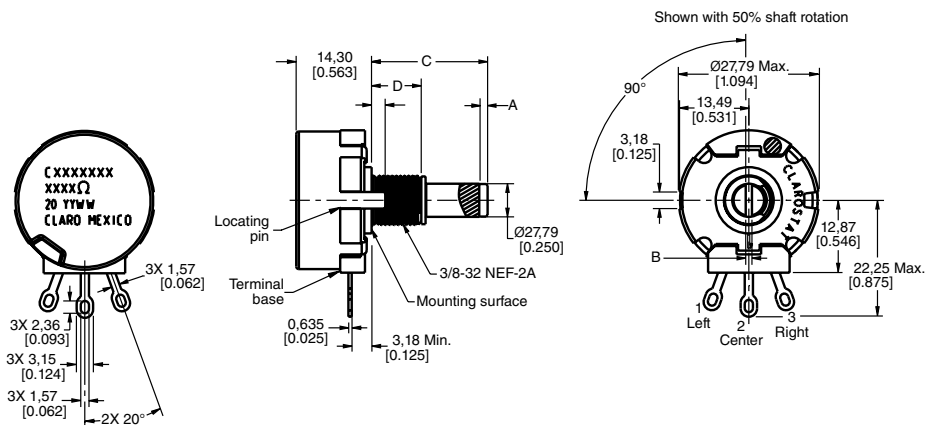


# 380 Series Order Guides

Table 380-F Order Guide

| Catalog Listing | Electrical       |                                  |                                  |                                   |  |                                       |       | Mechanical                   |                                 |                           |            | Dimensions              |                        |                          |                            | RoHS Compliant | Mounting Hardware |
|-----------------|------------------|----------------------------------|----------------------------------|-----------------------------------|--|---------------------------------------|-------|------------------------------|---------------------------------|---------------------------|------------|-------------------------|------------------------|--------------------------|----------------------------|----------------|-------------------|
|                 | Resistance (Ohm) | Resistance Tolerance ( $\pm\%$ ) | End Resistance at CW, Max. (Ohm) | End Resistance at CCW, Max. (Ohm) | Effective Electrical Rotation, Typ. (Degree) | Electrical Rotation, $\pm 3$ (Degree) | Taper | Mechanical Rotation (Degree) | Operating Torque (mN m [in-oz]) | Stop Torque (N m [in-lb]) | Shaft Seal | A Slot Length (mm [in]) | B Slot Width (mm [in]) | C Shaft Length (mm [in]) | D Bushing Length (mm [in]) |                |                   |
| 380C3100        | 100              | 10                               | 4                                | 4                                 | 274  | 312                                   | S-4   | 312                          | 1-4 [7-28]                      | 12 [1.4]                  | no         | 1,60 [0.063]            | 1,19 [0.047]           | 22,23 [0.875]            | 9,53 [0.375]               | yes            | unassembled       |
| 380C31000       | 1 k              | 10                               | 4                                | 4                                 | 274  | 312                                   | S-4   | 312                          | 1-4 [7-28]                      | 12 [1.4]                  | no         | 1,60 [0.063]            | 1,19 [0.047]           | 22,23 [0.875]            | 9,53 [0.375]               | yes            | unassembled       |
| 380C3100K       | 100 k            | 10                               | 4                                | 4                                 | 274  | 312                                   | S-4   | 312                          | 1-4 [7-28]                      | 12 [1.4]                  | no         | 1,60 [0.063]            | 1,19 [0.047]           | 22,23 [0.875]            | 9,53 [0.375]               | yes            | unassembled       |
| 380C310K        | 10 k             | 10                               | 4                                | 4                                 | 274  | 312                                   | S-4   | 312                          | 1-4 [7-28]                      | 12 [1.4]                  | no         | 1,60 [0.063]            | 1,19 [0.047]           | 22,23 [0.875]            | 9,53 [0.375]               | yes            | unassembled       |
| 380C31MEG       | 1 M              | 10                               | 10                               | 10                                | 274  | 312                                   | S-4   | 312                          | 1-4 [7-28]                      | 12 [1.4]                  | no         | 1,60 [0.063]            | 1,19 [0.047]           | 22,23 [0.875]            | 9,53 [0.375]               | yes            | unassembled       |
| 380C32000       | 2 k              | 10                               | 4                                | 4                                 | 274  | 312                                   | S-4   | 312                          | 1-4 [7-28]                      | 12 [1.4]                  | no         | 1,60 [0.063]            | 1,19 [0.047]           | 22,23 [0.875]            | 9,53 [0.375]               | yes            | unassembled       |
| 380C3200K       | 200 k            | 10                               | 4                                | 4                                 | 274  | 312                                   | S-4   | 312                          | 1-4 [7-28]                      | 12 [1.4]                  | no         | 1,60 [0.063]            | 1,19 [0.047]           | 22,23 [0.875]            | 9,53 [0.375]               | no             | unassembled       |
| 380C3250        | 250              | 10                               | 4                                | 4                                 | 274  | 312                                   | S-4   | 312                          | 1-4 [7-28]                      | 12 [1.4]                  | no         | 1,60 [0.063]            | 1,19 [0.047]           | 22,23 [0.875]            | 9,53 [0.375]               | no             | unassembled       |
| 380C32500       | 2.5 k            | 10                               | 4                                | 4                                 | 274  | 312                                   | S-4   | 312                          | 1-4 [7-28]                      | 12 [1.4]                  | no         | 1,60 [0.063]            | 1,19 [0.047]           | 22,23 [0.875]            | 9,53 [0.375]               | yes            | unassembled       |
| 380C3250K       | 250 k            | 10                               | 10                               | 10                                | 274  | 312                                   | S-4   | 312                          | 1-4 [7-28]                      | 12 [1.4]                  | no         | 1,60 [0.063]            | 1,19 [0.047]           | 22,23 [0.875]            | 9,53 [0.375]               | yes            | unassembled       |
| 380C325K        | 25 k             | 10                               | 4                                | 4                                 | 274  | 312                                   | S-4   | 312                          | 1-4 [7-28]                      | 12 [1.4]                  | no         | 1,60 [0.063]            | 1,19 [0.047]           | 22,23 [0.875]            | 9,53 [0.375]               | yes            | unassembled       |
| 380C3500        | 500              | 10                               | 4                                | 4                                 | 274  | 312                                   | S-4   | 312                          | 1-4 [7-28]                      | 12 [1.4]                  | no         | 1,60 [0.063]            | 1,19 [0.047]           | 22,23 [0.875]            | 9,53 [0.375]               | yes            | unassembled       |
| 380C35000       | 5 k              | 10                               | 4                                | 4                                 | 274  | 312                                   | S-4   | 312                          | 1-4 [7-28]                      | 12 [1.4]                  | no         | 1,60 [0.063]            | 1,19 [0.047]           | 22,23 [0.875]            | 9,53 [0.375]               | yes            | unassembled       |
| 380C3500K       | 500 k            | 10                               | 10                               | 10                                | 274  | 312                                   | S-4   | 312                          | 1-4 [7-28]                      | 12 [1.4]                  | no         | 1,60 [0.063]            | 1,19 [0.047]           | 22,23 [0.875]            | 9,53 [0.375]               | yes            | unassembled       |
| 380C350K        | 50 k             | 10                               | 4                                | 4                                 | 274  | 312                                   | S-4   | 312                          | 1-4 [7-28]                      | 12 [1.4]                  | no         | 1,60 [0.063]            | 1,19 [0.047]           | 22,23 [0.875]            | 9,53 [0.375]               | yes            | unassembled       |

Dimensional Drawings (For reference only: mm [in].)

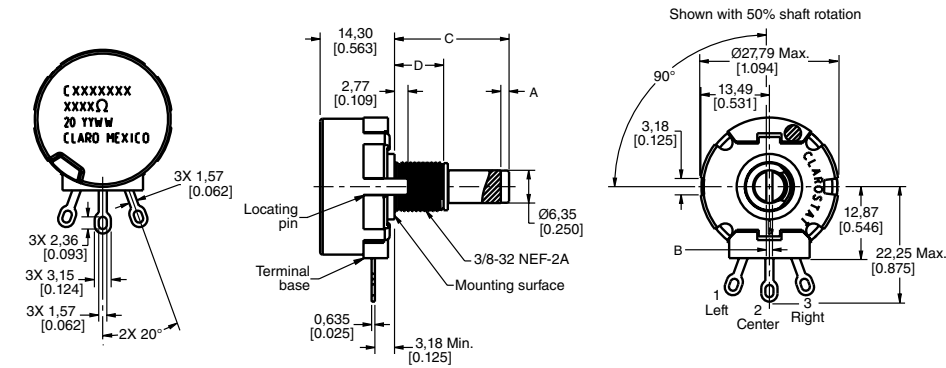


# 380 Series Order Guides

Table 380-G Order Guide

| Catalog Listing            | Electrical       |                                  |                                  |                                   |  |                                       |       | Mechanical                   |                                 |                           |            | Dimensions             |                        |                          |                           | RoHS Compliant | Mounting Hardware |
|----------------------------|------------------|----------------------------------|----------------------------------|-----------------------------------|--|---------------------------------------|-------|------------------------------|---------------------------------|---------------------------|------------|------------------------|------------------------|--------------------------|---------------------------|----------------|-------------------|
|                            | Resistance (Ohm) | Resistance Tolerance ( $\pm\%$ ) | End Resistance at CW, Max. (Ohm) | End Resistance at CCW, Max. (Ohm) | Effective Electrical Rotation, Typ. (Degree) | Electrical Rotation, $\pm 3$ (Degree) | Taper | Mechanical Rotation (Degree) | Operating Torque (mN m [in-oz]) | Stop Torque (N m [in-lb]) | Shaft Seal | A Slot Depth (mm [in]) | B Slot Width (mm [in]) | C Shaft Length (mm [in]) | D Busing Length (mm [in]) |                |                   |
| 3800000748500058           | 500 k            | 10                               | 5                                | 10                                | 274  | 312                                   | Z     | 312                          | 1-6 [7-42]                      | 12 [1.4]                  | no         | 1,60 [0.063]           | 1,19 [0.047]           | 22,23 [0.875]            | 9,53 [0.375]              | yes            | unassembled       |
| 380101M9699 <sup>1,2</sup> | 2.5 M            | 10                               | 25                               | 10                                | 274  | 312                                   | Z     | 312                          | 1-6 [7-42]                      | 12 [1.4]                  | yes        | 1,60 [0.063]           | 1,19 [0.047]           | 22,23 [0.875]            | 9,53 [0.375]              | yes            | unassembled       |

Dimensional Drawings (For reference only: mm [in].)



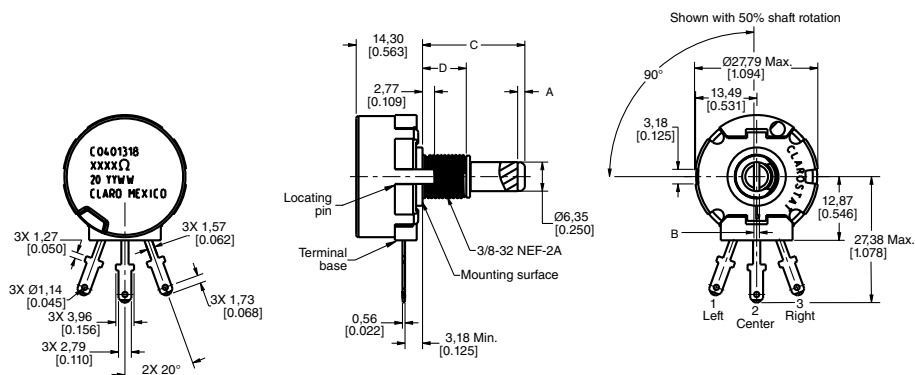
<sup>1</sup>Supplied with stainless-steel shaft.

<sup>2</sup>Supplied with nickel-plated beryllium copper retaining ring.

Table 380-H Order Guide

| Catalog Listing | Electrical       |                                  |                                  |                                   |  |                                       |       | Mechanical                   |                                 |                           |            | Dimensions              |                        |                          |                           | RoHS Compliant | Mounting Hardware |
|-----------------|------------------|----------------------------------|----------------------------------|-----------------------------------|--|---------------------------------------|-------|------------------------------|---------------------------------|---------------------------|------------|-------------------------|------------------------|--------------------------|---------------------------|----------------|-------------------|
|                 | Resistance (Ohm) | Resistance Tolerance ( $\pm\%$ ) | End Resistance at CW, Max. (Ohm) | End Resistance at CCW, Max. (Ohm) | Effective Electrical Rotation, Typ. (Degree) | Electrical Rotation, $\pm 3$ (Degree) | Taper | Mechanical Rotation (Degree) | Operating Torque (mN m [in-oz]) | Stop Torque (N m [in-lb]) | Shaft Seal | A Slot Length (mm [in]) | B Slot Width (mm [in]) | C Shaft Length (mm [in]) | D Busing Length (mm [in]) |                |                   |
| 380099M9425     | 1 k              | 10                               | 4                                | 4                                 | 288  | 312                                   | S-2   | 312                          | 6-20 [42-141]                   | 12 [1.4]                  | no         | 1,60 [0.063]            | 1,19 [0.047]           | 22,23 [0.875]            | 9,53 [0.375]              | yes            | unassembled       |

Dimensional Drawings (For reference only: mm [in].)

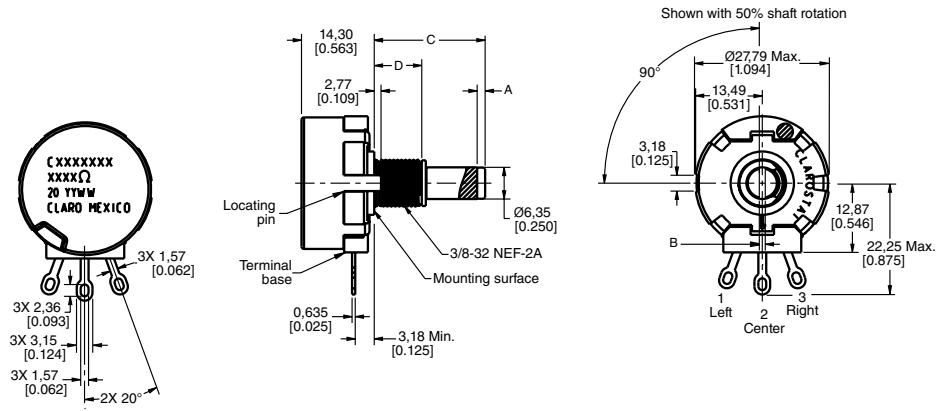


# 380 Series Order Guides

Table 380-I Order Guide

| Catalog Listing | Electrical       |                                  |                                  |                                   |  |                                       |       | Mechanical                   |                                 |                           |            | Dimensions             |                        |                          |                            | RoHS Compliant | Mounting Hardware |
|-----------------|------------------|----------------------------------|----------------------------------|-----------------------------------|--|---------------------------------------|-------|------------------------------|---------------------------------|---------------------------|------------|------------------------|------------------------|--------------------------|----------------------------|----------------|-------------------|
|                 | Resistance (Ohm) | Resistance Tolerance ( $\pm\%$ ) | End Resistance at CW, Max. (Ohm) | End Resistance at CCW, Max. (Ohm) | Effective Electrical Rotation, Typ. (Degree) | Electrical Rotation, $\pm 3$ (Degree) | Taper | Mechanical Rotation (Degree) | Operating Torque (mN m [in-oz]) | Stop Torque (N m [in-lb]) | Shaft Seal | A Slot Depth (mm [in]) | B Slot Width (mm [in]) | C Shaft Length (mm [in]) | D Bushing Length (mm [in]) |                |                   |
| 380036M7444     | 1 k              | 10                               | 4                                | 4                                 | 310  | 344                                   | S-3   | 360                          | 1-4 [7-28]                      | 12 [1.4]                  | no         | 1,60 [0.063]           | 1,19 [0.047]           | 22,23 [0.875]            | 9,53 [0.375]               | yes            | unassembled       |

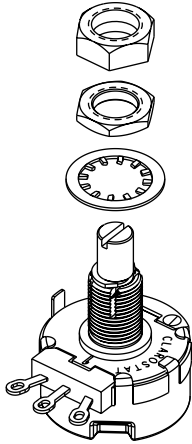
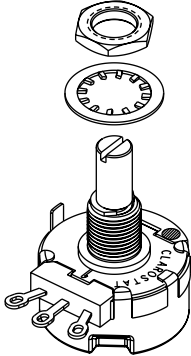
**Dimensional Drawings (For reference only: mm [in].)**





# RV4 Series Specific Configurations

Table 6. RV4 Series Specific Configurations

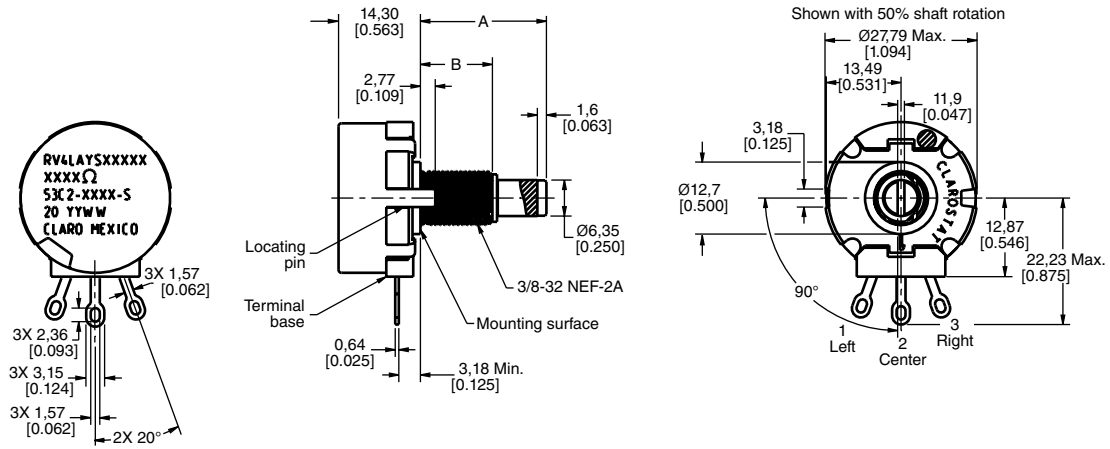
| Shaft Type                        | Bushing Type                    | AR Pin | Termination | Configuration with Associated Hardware  | Shaft Type                        | Bushing Type                 | AR Pin | Termination | Configuration with Associated Hardware  |
|-----------------------------------|---------------------------------|--------|-------------|---|-----------------------------------|------------------------------|--------|-------------|---|
| RV4-A (See Table RV4-A on p. 17.) |                                 |        |             |  | RV4-B (See Table RV4-B on p. 18.) |                              |        |             |  |
| slotted                           | high torque, 12,7 mm [0.500 in] | 1      | solder lug  |   | slotted                           | standard, 9,53 mm [0.375 in] | 1      | solder lug  |   |

# RV4 Series Order Guides

Table RV4-A Order Guide

| Catalog Listing | Electrical       |                                  |                                  |                                   |  |                                       |       | Mechanical                   |                                 |                           |            | Dimensions               |                            | RoHS Compliant | Mounting Hardware |
|-----------------|------------------|----------------------------------|----------------------------------|-----------------------------------|--|---------------------------------------|-------|------------------------------|---------------------------------|---------------------------|------------|--------------------------|----------------------------|----------------|-------------------|
|                 | Resistance (Ohm) | Resistance Tolerance ( $\pm\%$ ) | End Resistance at CW, Max. (Ohm) | End Resistance at CCW, Max. (Ohm) | Effective Electrical Rotation, Typ. (Degree) | Electrical Rotation, $\pm 3$ (Degree) | Taper | Mechanical Rotation (Degree) | Operating Torque (mN m [in-oz]) | Stop Torque (N m [in-lb]) | Shaft Seal | A Shaft Length (mm [in]) | B Bushing Length (mm [in]) |                |                   |
| RV4LAYSD102A    | 1 k              | 10                               | 4                                | 4                                 | 274  | 312                                   | S-4   | 312                          | 1-6 [7-42]                      | 12 [1.4]                  | no         | 22,23 [0.875]            | 12,7 [0.500]               | no             | unassembled       |
| RV4LAYSD103A    | 10 k             | 10                               | 4                                | 4                                 | 274  | 312                                   | S-4   | 312                          | 1-6 [7-42]                      | 12 [1.4]                  | no         | 22,23 [0.875]            | 12,7 [0.500]               | no             | unassembled       |
| RV4LAYSD104A    | 100 k            | 10                               | 4                                | 4                                 | 274  | 312                                   | S-4   | 312                          | 1-6 [7-42]                      | 12 [1.4]                  | no         | 22,23 [0.875]            | 12,7 [0.500]               | no             | unassembled       |
| RV4LAYSD502A    | 5 k              | 10                               | 4                                | 4                                 | 274  | 312                                   | S-4   | 312                          | 1-6 [7-42]                      | 12 [1.4]                  | no         | 22,23 [0.875]            | 12,7 [0.500]               | no             | unassembled       |
| RV4LAYSD504A    | 500 k            | 10                               | 10                               | 10                                | 274  | 312                                   | S-4   | 312                          | 1-6 [7-42]                      | 12 [1.4]                  | no         | 22,23 [0.875]            | 12,7 [0.500]               | no             | unassembled       |

**Dimensional Drawings (For reference only: mm [in.] )**

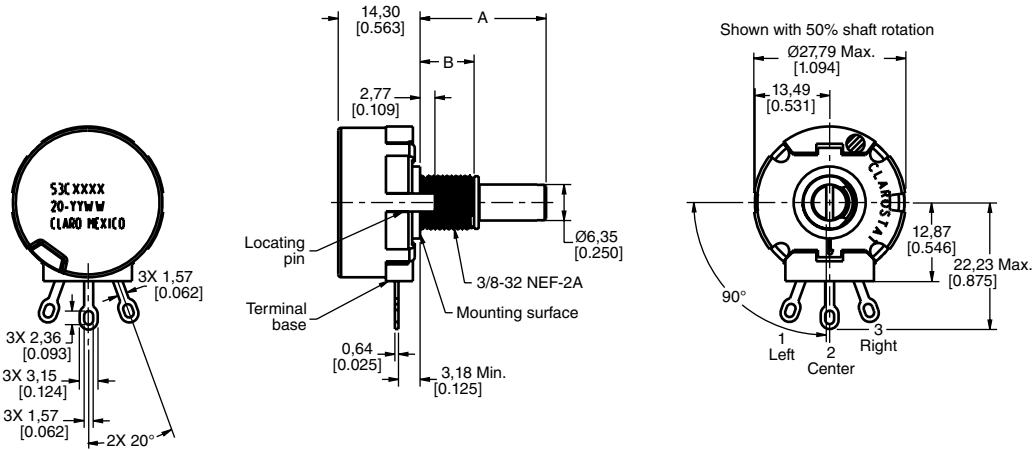


# RV4 Series Order Guides

Table RV4-B Order Guide

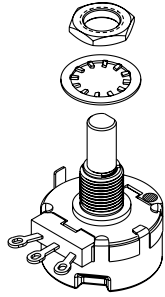
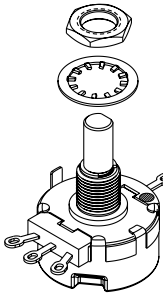
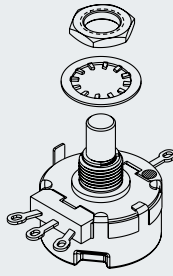
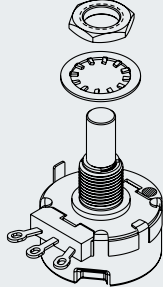
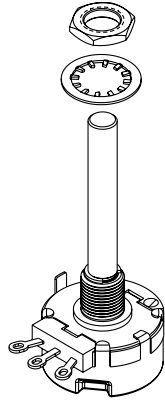
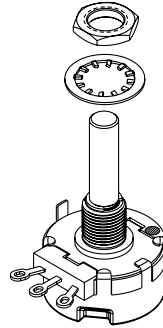
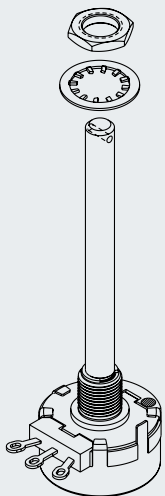
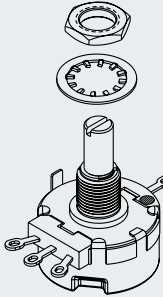
| Catalog Listing | Electrical       |                           |                                  |                                   |  |                                  | Mechanical |                              |                                 |                           |            | Dimensions                  |                               | RoHS Compliant | Mounting Hardware |
|-----------------|------------------|---------------------------|----------------------------------|-----------------------------------|--|----------------------------------|------------|------------------------------|---------------------------------|---------------------------|------------|-----------------------------|-------------------------------|----------------|-------------------|
|                 | Resistance (Ohm) | Resistance Tolerance (±%) | End Resistance at CW, Max. (Ohm) | End Resistance at CCW, Max. (Ohm) | Effective Electrical Rotation, Typ. (Degree) | Electrical Rotation, ±3 (Degree) | Taper      | Mechanical Rotation (Degree) | Operating Torque (mN m [in-oz]) | Stop Torque (N m [in-lb]) | Shaft Seal | A<br>Shaft Length (mm [in]) | B<br>Bushing Length (mm [in]) |                |                   |
| RV4NAYSB101A    | 100              | 10                        | 4                                | 4                                 | 274  | 312                              | S-4        | 312                          | 1-6 [7-42]                      | 12 [1.4]                  | yes        | 12,7 [0.500]                | 9,53 [0.375]                  | no             | unassembled       |
| RV4NAYSB103A    | 10 k             | 10                        | 4                                | 4                                 | 274  | 312                              | S-4        | 312                          | 1-6 [7-42]                      | 12 [1.4]                  | yes        | 12,7 [0.500]                | 9,53 [0.375]                  | no             | unassembled       |
| RV4NAYSB503A    | 50 k             | 10                        | 4                                | 4                                 | 274  | 312                              | S-4        | 312                          | 1-6 [7-42]                      | 12 [1.4]                  | yes        | 12,7 [0.500]                | 9,53 [0.375]                  | no             | unassembled       |
| RV4NAYSK103A    | 10 k             | 10                        | 4                                | 4                                 | 274  | 312                              | S-4        | 312                          | 1-6 [7-42]                      | 12 [1.4]                  | yes        | 63,5 [2.500]                | 9,53 [0.375]                  | no             | unassembled       |
| RV4NAYSK502A    | 5 k              | 10                        | 4                                | 4                                 | 274  | 312                              | S-4        | 312                          | 1-6 [7-42]                      | 12 [1.4]                  | yes        | 63,5 [2.5,0]                | 9,53 [0.375]                  | no             | unassembled       |
| RV4SAYSD502A    | 5                | 10                        | -                                | -                                 | 274  | 312                              | S-4        | 312                          | 1-6 [7-42]                      | 12 [1.4]                  | yes        | 22,23 [0.875]               | 9,53 [0.375]                  | no             | unassembled       |
| RV4NAYSD503D    | 50 k             | 20                        | 500                              | 4                                 | 274  | 312                              | Z          | 312                          | 1-6 [7-42]                      | 12 [1.4]                  | yes        | 22,23 [0.875]               | 9,53 [0.375]                  | no             | unassembled       |

Dimensional Drawings (For reference only: mm [in.] )



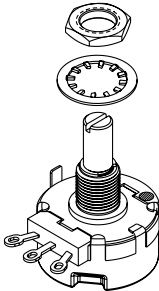
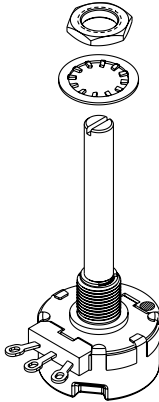
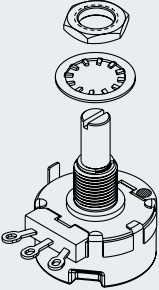
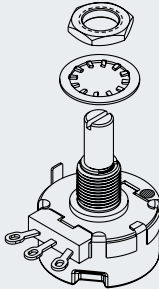
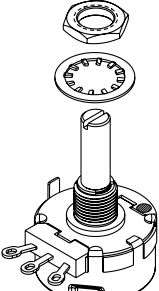
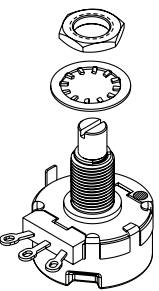
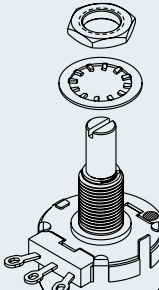
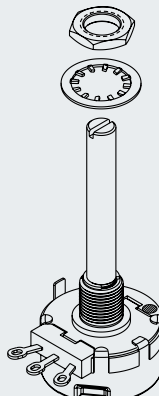
# 485 Series Specific Configurations

Table 7. 485 Series Specific Configurations

| Shaft Type                               | Bushing Type                 | AR Pin | Termination                | Configuration with Associated Hardware  | Shaft Type                               | Bushing Type                 | AR Pin | Termination                | Configuration with Associated Hardware  |
|--|------------------------------|--------|----------------------------|---|--|------------------------------|--------|----------------------------|---|
| <b>485-A (See Table 485-A on p. 22)</b>  |                              |        |                            |   | <b>485-B (See Table 485-B on p. 22.)</b> |                              |        |                            |   |
| flatted                                  | standard, 9,53 mm [0.375 in] | 1      | solder lug                 |    | flatted                                  | standard, 9,53 mm [0.375 in] | 1      | solder lug with center tap |    |
| <b>485-C (See Table 485-C on p. 23.)</b> |                              |        |                            |   | <b>485-D (See Table 485-D on p. 23.)</b> |                              |        |                            |   |
| round                                    | standard, 6,35 mm [0.250 in] | 1      | solder lug with center tap |    | round                                    | standard, 9,53 mm [0.375 in] | 1      | solder lug                 |    |
| <b>485-E (See Table 485-E on p. 24.)</b> |                              |        |                            |   | <b>485-F (See Table 485-F on p. 24.)</b> |                              |        |                            |   |
| round                                    | standard, 9,53 mm [0.375 in] | 1      | solder lug                 |  | round                                    | standard, 9,53 mm [0.375 in] | 1      | solder lug                 |  |
| <b>485-G (See Table 485-G on p. 25.)</b> |                              |        |                            |   | <b>485-H (See Table 485-H on p. 25.)</b> |                              |        |                            |   |
| round                                    | standard, 9,53 mm [0.375 in] | 1      | solder lug                 |  | slotted                                  | standard, 9,53 mm [0.375 in] | 1      | solder lug with center tap |  |

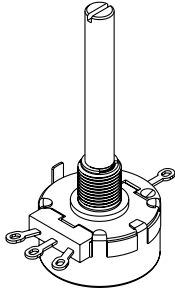
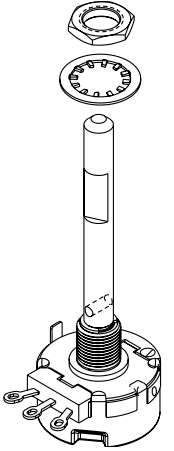
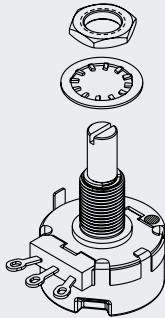
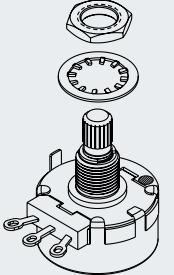
# 485 Series Specific Configurations

Table 7. 485 Series Specific Configurations (continued)

| Shaft Type                               | Bushing Type  | AR Pin | Termination | Configuration with Associated Hardware  | Shaft Type                               | Bushing Type  | AR Pin | Termination | Configuration with Associated Hardware  |
|--|---|--------|-------------|---|--|---|--------|-------------|---|
| <b>485-I (See Table 485-I on p. 26.)</b> |   |        |             |   | <b>485-J (See Table 485-J on p. 26.)</b> |   |        |             |   |
| slotted                                  | standard, 6,35 mm [0.250 in] and 9,53 mm [0.375 in] | 1      | solder lug  |    | slotted                                  | standard, 8,69 mm [0.342 in]                        | 0      | solder lug  |    |
| <b>485-K (See Table 485-K on p. 27.)</b> |   |        |             |   | <b>485-L (See Table 485-L on p. 27.)</b> |   |        |             |   |
| slotted                                  | standard, 9,53 mm [0.375 in]                        | 1      | solder lug  |   | slotted                                  | standard, 9,53 mm [0.375 in]                        | 1      | solder lug  |   |
| <b>485-M (See Table 485-M on p. 28.)</b> |   |        |             |   | <b>485-N (See Table 485-N on p. 28.)</b> |   |        |             |   |
| slotted                                  | standard, 7,9 mm [0.312 in]                         | 1      | solder lug  |  | slotted                                  | standard, 9,53 mm [0.375 in] and 12,7 mm [0.500 in] | 1      | solder lug  |  |
| <b>485-O (See Table 485-O on p. 29.)</b> |   |        |             |   | <b>485-P (See Table 485-P on p. 29.)</b> |   |        |             |   |
| slotted                                  | standard, 12,7 mm [0.500 in]                        | 1      | solder lug  |  | slotted                                  | standard, 9,53 mm [0.375 in]                        | 1      | solder lug  |  |

# 485 Series Specific Configurations

Table 7. 485 Series Specific Configurations (continued)

| Shaft Type                               | Bushing Type                 | AR Pin | Termination                | Configuration with Associated Hardware   | Shaft Type                               | Bushing Type                 | AR Pin | Termination | Configuration with Associated Hardware   |
|--|------------------------------|--------|----------------------------|--|--|------------------------------|--------|-------------|--|
| <b>485-Q (See Table 485-Q on p. 30.)</b> |                              |        |                            |   | <b>485-R (See Table 485-R on p. 30.)</b> |                              |        |             |   |
| slotted                                  | standard, 9,53 mm [0.375 in] | 1      | solder lug with center tap |  | round                                    | standard, 9,53 mm [0.375 in] | 1      | solder lug  |  |
| <b>485-S (See Table 485-S on p. 31.)</b> |                              |        |                            |  | <b>485-T (See Table 485-T on p. 31.)</b> |                              |        |             |  |
| slotted                                  | standard, 12,7 mm [0.500 in] | 1      | solder lug                 |  | straight knurled                         | standard, 8,67 mm [0.342 in] | 1      | solder lug  |  |

# 485 Series Order Guides

Table 485-A Order Guide

| Catalog Listing | Electrical       |                                  |                                  |                                   |  |                                       |       | Mechanical                   |                                 |                           |            | Dimensions              |                            |                          |                            | RoHS Compliant | Mounting Hardware |
|-----------------|------------------|----------------------------------|----------------------------------|-----------------------------------|--|---------------------------------------|-------|------------------------------|---------------------------------|---------------------------|------------|-------------------------|----------------------------|--------------------------|----------------------------|----------------|-------------------|
|                 | Resistance (Ohm) | Resistance Tolerance ( $\pm\%$ ) | End Resistance at CW, Max. (Ohm) | End Resistance at CCW, Max. (Ohm) | Effective Electrical Rotation, Typ. (Degree) | Electrical Rotation, $\pm 3$ (Degree) | Taper | Mechanical Rotation (Degree) | Operating Torque (mN m [in-oz]) | Stop Torque (N m [in-lb]) | Shaft Seal | A Flat Length (mm [in]) | B Flat Thickness (mm [in]) | C Shaft Length (mm [in]) | D Bushing Length (mm [in]) |                |                   |
| 485000M8990     | 5 k              | 10                               | 4                                | 4                                 | 112  | 312                                   | S-7   | 312                          | 1-4 [7-28]                      | 12 [1-4]                  | no         | 11,13 [0.438]           | 5,54 [0.218]               | 22,23 [0.875]            | 9,53 [0.375]               | yes            | unassembled       |

Dimensional Drawings (For reference only: mm [in].)

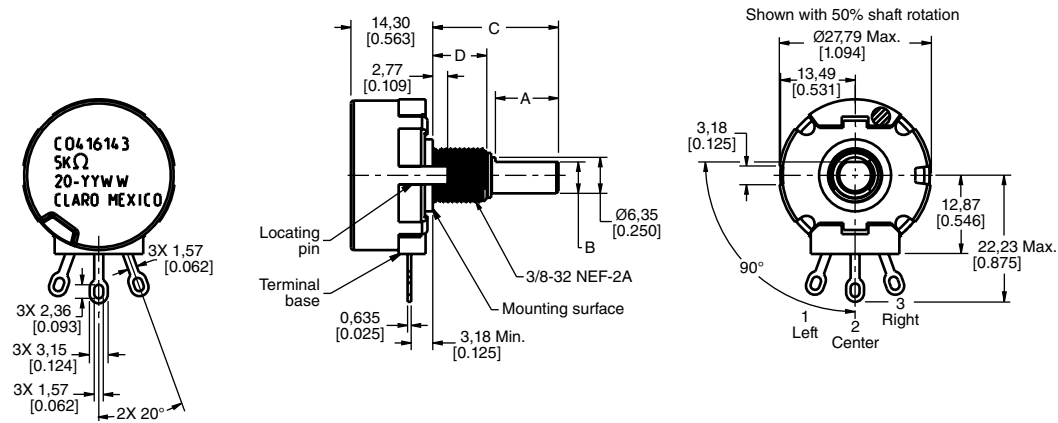
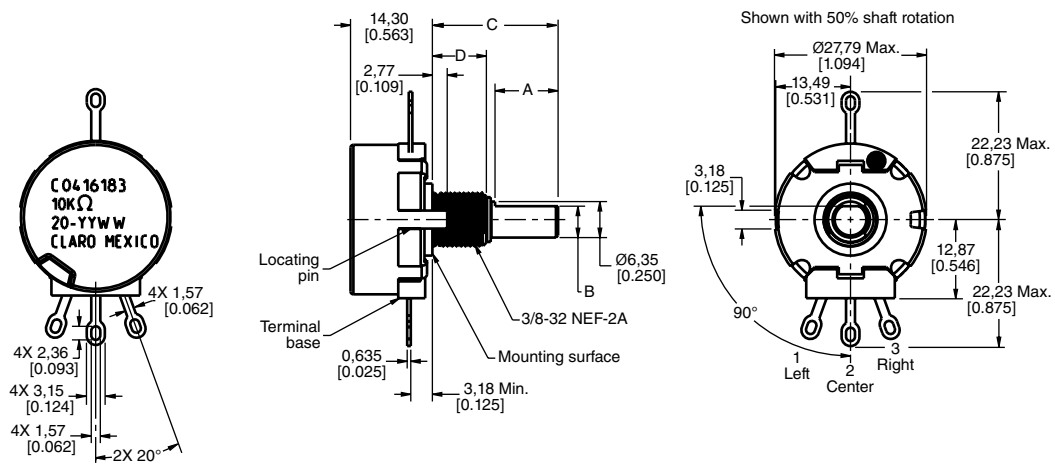


Table 485-B Order Guide

| Catalog Listing | Electrical       |                                  |                                  |                                   |  |                                       |       | Mechanical                   |                                 |                           |            | Dimensions              |                            |                          |                            | RoHS Compliant | Mounting Hardware |
|-----------------|------------------|----------------------------------|----------------------------------|-----------------------------------|--|---------------------------------------|-------|------------------------------|---------------------------------|---------------------------|------------|-------------------------|----------------------------|--------------------------|----------------------------|----------------|-------------------|
|                 | Resistance (Ohm) | Resistance Tolerance ( $\pm\%$ ) | End Resistance at CW, Max. (Ohm) | End Resistance at CCW, Max. (Ohm) | Effective Electrical Rotation, Typ. (Degree) | Electrical Rotation, $\pm 3$ (Degree) | Taper | Mechanical Rotation (Degree) | Operating Torque (mN m [in-oz]) | Stop Torque (N m [in-lb]) | Shaft Seal | A Flat Length (mm [in]) | B Flat Thickness (mm [in]) | C Shaft Length (mm [in]) | D Bushing Length (mm [in]) |                |                   |
| 485025M9052     | 10 k             | 10                               | 4                                | 4                                 | 112  | 312                                   | S-9   | 312                          | S-14                            | 12                        | no         | 11,13 [0.438]           | 5,54 [0.218]               | 22,23 [0.875]            | 9,53 [0.375]               | yes            | unassembled       |

Dimensional Drawings (For reference only: mm [in].)



# 485 Series Order Guides

Table 485-C Order Guide

| Catalog Listing | Electrical       |                             |                                  |                                   |  |                                  |       | Mechanical                   |                                 |                           |            | Dimensions                  |                               | RoHS Compliant | Mounting Hardware |
|-----------------|------------------|-----------------------------|----------------------------------|-----------------------------------|--|----------------------------------|-------|------------------------------|---------------------------------|---------------------------|------------|-----------------------------|-------------------------------|----------------|-------------------|
|                 | Resistance (Ohm) | Resistance Tolerance (+/-%) | End Resistance at CW, Max. (Ohm) | End Resistance at CCW, Max. (Ohm) | Effective Electrical Rotation, Typ. (Degree) | Electrical Rotation, ±3 (Degree) | Taper | Mechanical Rotation (Degree) | Operating Torque (mN m [in-oz]) | Stop Torque (N m [in-lb]) | Shaft Seal | A<br>Shaft Length (mm [in]) | B<br>Bushing Length (mm [in]) |                |                   |
| 485025M8843     | 10 k             | 10                          | 4                                | 4                                 | 112  | 312                              | S-13  | 312                          | 1-4 [7-28]                      | 12 [1.4]                  | no         | 15,88 [0.625]               | 6,35 [0.250]                  | yes            | unassembled       |
| 485025M9267     | 5 k              | 10                          | 4                                | 4                                 | 112  | 312                              | S-13  | 312                          | 1-4 [7-28]                      | 12 [1.4]                  | no         | 15,88 [0.625]               | 6,35 [0.250]                  | yes            | unassembled       |

Dimensional Drawings (For reference only: mm [in].)

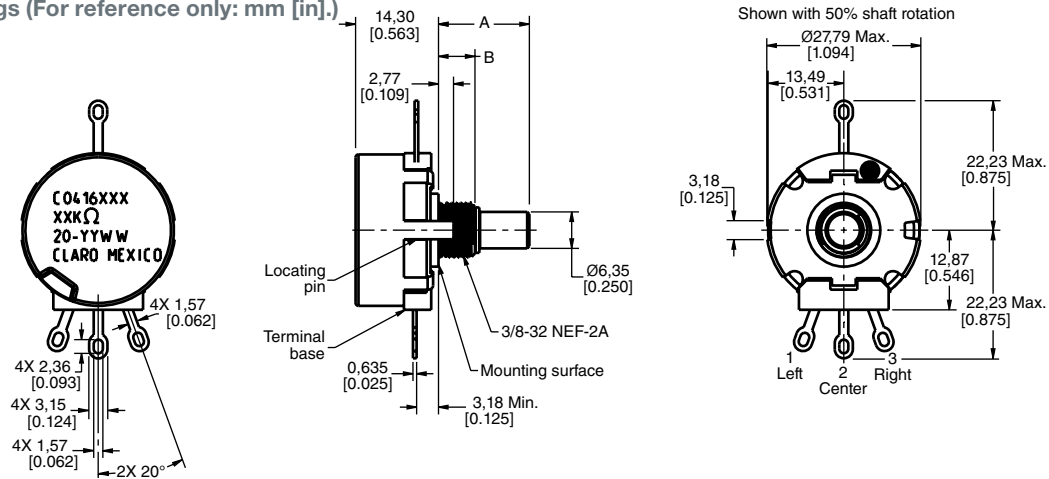
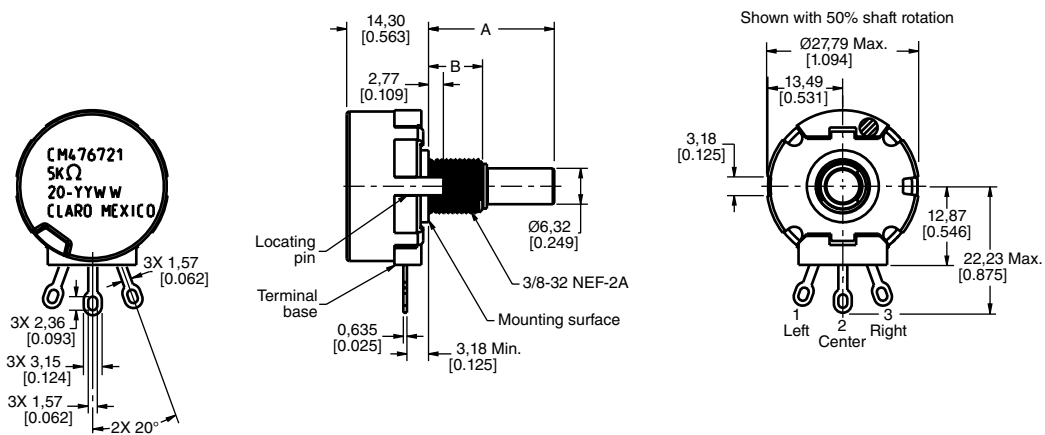


Table 485-D Order Guide

| Catalog Listing | Electrical       |                             |                                  |                                   |  |                                  |       | Mechanical                   |                                 |                           |            | Dimensions                  |                               | RoHS Compliant | Mounting Hardware |
|-----------------|------------------|-----------------------------|----------------------------------|-----------------------------------|--|----------------------------------|-------|------------------------------|---------------------------------|---------------------------|------------|-----------------------------|-------------------------------|----------------|-------------------|
|                 | Resistance (Ohm) | Resistance Tolerance (+/-%) | End Resistance at CW, Max. (Ohm) | End Resistance at CCW, Max. (Ohm) | Effective Electrical Rotation, Typ. (Degree) | Electrical Rotation, ±3 (Degree) | Taper | Mechanical Rotation (Degree) | Operating Torque (mN m [in-oz]) | Stop Torque (N m [in-lb]) | Shaft Seal | A<br>Shaft Length (mm [in]) | B<br>Bushing Length (mm [in]) |                |                   |
| 485008M7167     | 5 k              | 10                          | 4                                | 4                                 | 284  | 312                              | S-4   | 312                          | 1-6 [7-42]                      | 12 [1.4]                  | yes        | 22,23 [0.875]               | 9,53 [0.375]                  | yes            | unassembled       |

Dimensional Drawings (For reference only: mm [in].)





# 485 Series Order Guides

Table 485-E Order Guide

| Catalog Listing | Electrical       |                                  |                                  |                                   |  |                                       |       | Mechanical                   |                                 |                           |            | Dimensions               |                            | RoHS Compliant | Mounting Hardware |
|-----------------|------------------|----------------------------------|----------------------------------|-----------------------------------|--|---------------------------------------|-------|------------------------------|---------------------------------|---------------------------|------------|--------------------------|----------------------------|----------------|-------------------|
|                 | Resistance (Ohm) | Resistance Tolerance ( $\pm\%$ ) | End Resistance at CW, Max. (Ohm) | End Resistance at CCW, Max. (Ohm) | Effective Electrical Rotation, Typ. (Degree) | Electrical Rotation, $\pm 3$ (Degree) | Taper | Mechanical Rotation (Degree) | Operating Torque (mN m [in-oz]) | Stop Torque (N m [in-lb]) | Shaft Seal | A Shaft Length (mm [in]) | B Bushing Length (mm [in]) |                |                   |
| 485000M8930     | 5 k              | 10                               | 4                                | 4                                 | 284  | 312                                   | S-16  | 312                          | 1-4 [7-28]                      | 12 [1.4]                  | no         | 50,8 [2.000]             | 9,53 [0.375]               | yes            | unassembled       |

Dimensional Drawings (For reference only: mm [in].)

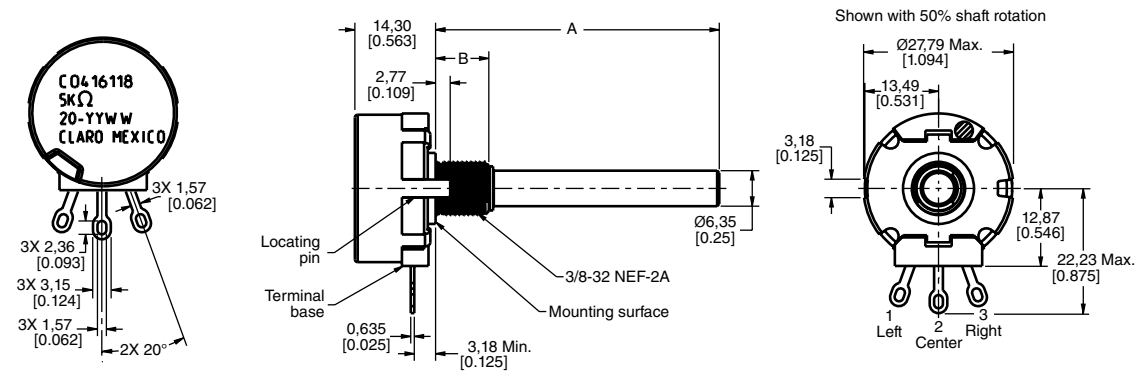
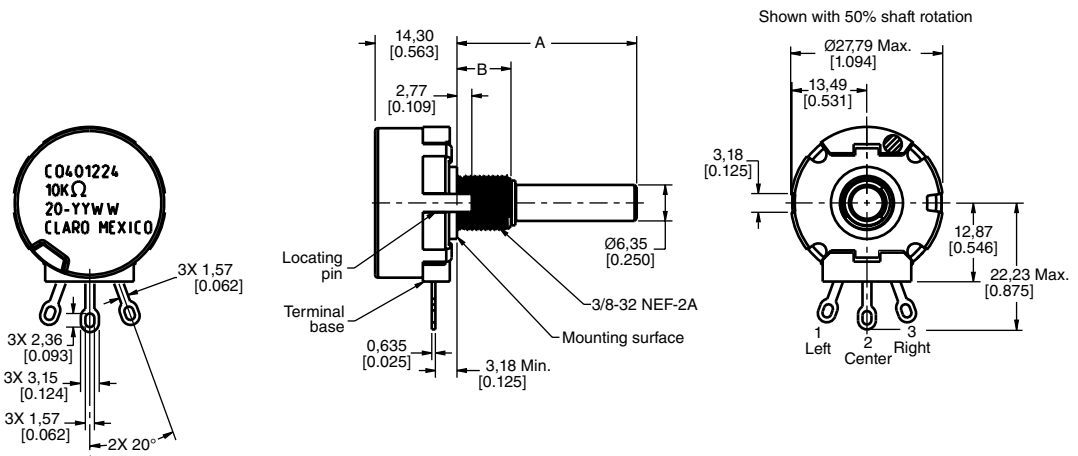


Table 485-F Order Guide

| Catalog Listing | Electrical       |                                  |                                  |                                   |  |                                       |       | Mechanical                   |                                 |                           |            | Dimensions               |                            | RoHS Compliant | Mounting Hardware |
|-----------------|------------------|----------------------------------|----------------------------------|-----------------------------------|--|---------------------------------------|-------|------------------------------|---------------------------------|---------------------------|------------|--------------------------|----------------------------|----------------|-------------------|
|                 | Resistance (Ohm) | Resistance Tolerance ( $\pm\%$ ) | End Resistance at CW, Max. (Ohm) | End Resistance at CCW, Max. (Ohm) | Effective Electrical Rotation, Typ. (Degree) | Electrical Rotation, $\pm 3$ (Degree) | Taper | Mechanical Rotation (Degree) | Operating Torque (mN m [in-oz]) | Stop Torque (N m [in-lb]) | Shaft Seal | A Shaft Length (mm [in]) | B Bushing Length (mm [in]) |                |                   |
| 485000M9156     | 10 k             | 10                               | 4                                | 100                               | 284  | 312                                   | S-11  | 312                          | 1-4 [7-28]                      | 12 [1.4]                  | no         | 31,75 [1.250]            | 9,53 [0.375]               | yes            | unassembled       |

Dimensional Drawings (For reference only: mm [in].)



# 485 Series Order Guides

Table 485-G Order Guide

| 8.5         | Electrical       |                                  |                                  |                                   |  |                                       | Mechanical |                              |                                 |                           |            | Dimensions               |                            | RoHS Compliant | Mounting Hardware |
|-------------|------------------|----------------------------------|----------------------------------|-----------------------------------|--|---------------------------------------|------------|------------------------------|---------------------------------|---------------------------|------------|--------------------------|----------------------------|----------------|-------------------|
|             | Resistance (Ohm) | Resistance Tolerance ( $\pm\%$ ) | End Resistance at CW, Max. (Ohm) | End Resistance at CCW, Max. (Ohm) | Effective Electrical Rotation, Typ. (Degree) | Electrical Rotation, $\pm 3$ (Degree) | Taper      | Mechanical Rotation (Degree) | Operating Torque (mN m [in-oz]) | Stop Torque (N m [in-lb]) | Shaft Seal | A Shaft Length (mm [in]) | B Bushing Length (mm [in]) |                |                   |
| 485004M8986 | 25 k             | 10                               | 4                                | 4                                 | 180  | 348                                   | S-6        | 360                          | 1-4 [7-28]                      | -                         | no         | 76,2 [3.000]             | 9,53 [0.375]               | yes            | unassembled       |

Dimensional Drawings (For reference only: mm [in].)

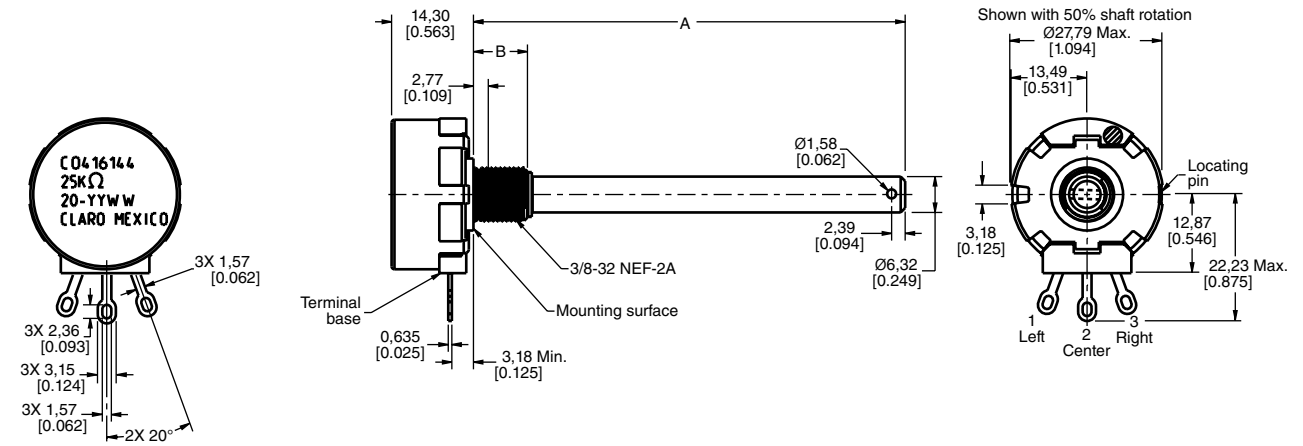


Table 485-H Order Guide

| Catalog Listing | Electrical       |                                  |                                  |                                   |  |                                       | Mechanical |                              |                                 |                           |            | Dimensions              |                        |                          |                            | RoHS Compliant | Mounting Hardware |
|-----------------|------------------|----------------------------------|----------------------------------|-----------------------------------|--|---------------------------------------|------------|------------------------------|---------------------------------|---------------------------|------------|-------------------------|------------------------|--------------------------|----------------------------|----------------|-------------------|
|                 | Resistance (Ohm) | Resistance Tolerance ( $\pm\%$ ) | End Resistance at CW, Max. (Ohm) | End Resistance at CCW, Max. (Ohm) | Effective Electrical Rotation, Typ. (Degree) | Electrical Rotation, $\pm 3$ (Degree) | Taper      | Mechanical Rotation (Degree) | Operating Torque (mN m [in-oz]) | Stop Torque (N m [in-lb]) | Shaft Seal | A Slot Length (mm [in]) | B Slot Width (mm [in]) | C Shaft Length (mm [in]) | D Bushing Length (mm [in]) |                |                   |
| 485025M9428     | 10 k             | 10                               | 4                                | 4                                 | 263  | 312                                   | S-8        | 312                          | 1-6 [7-42]                      | 12 [1.4]                  | no         | 1,60 [0.063]            | 1,19 [0.047]           | 22,23 [0.875]            | 9,53 [0.375]               | yes            | unassembled       |
| 485042M9576     | 1 k              | 10                               | 4                                | 4                                 | 263  | 312                                   | S-8        | 312                          | 1-6 [7-42]                      | 12 [1.4]                  | no         | 1,60 [0.063]            | 1,19 [0.047]           | 22,23 [0.875]            | 9,53 [0.375]               | yes            | unassembled       |

Dimensional Drawings (For reference only: mm [in].)

