



Chipsmall Limited consists of a professional team with an average of over 10 year of expertise in the distribution of electronic components. Based in Hongkong, we have already established firm and mutual-benefit business relationships with customers from,Europe,America and south Asia,supplying obsolete and hard-to-find components to meet their specific needs.

With the principle of “Quality Parts,Customers Priority,Honest Operation,and Considerate Service”,our business mainly focus on the distribution of electronic components. Line cards we deal with include Microchip,ALPS,ROHM,Xilinx,Pulse,ON,Everlight and Freescale. Main products comprise IC,Modules,Potentiometer,IC Socket,Relay,Connector.Our parts cover such applications as commercial,industrial, and automotives areas.

We are looking forward to setting up business relationship with you and hope to provide you with the best service and solution. Let us make a better world for our industry!



Contact us

Tel: +86-755-8981 8866 Fax: +86-755-8427 6832

Email & Skype: info@chipsmall.com Web: www.chipsmall.com

Address: A1208, Overseas Decoration Building, #122 Zhenhua RD., Futian, Shenzhen, China





Precision Series S - 1/2" Watt 1/8" shaft diameter



Precision series S/RV6 potentiometers are ideal for applications requiring high reliability and a compact size.

FEATURES:

- hot molded carbon element
- one piece housing and bushing
- stainless-steel shaft
- compact size
- quality meeting or exceeding MIL-R-94 - QPL listed

OPTIONS:

- custom shafts and bushings
- special tapers
- customer specified marking

ELECTRICAL SPECIFICATIONS:

- Resistance range, linear taper:** 100 Ω to 5 Meg Ω
- Resistance range, logarithmic taper:** 150 Ω to 1 Meg Ω
- Resistance tolerance:** $\pm 10\%$ or $\pm 20\%$
- Resistance taper:** linear, logarithmic, reverse logarithmic;
other tapers by special order
- Power rating:** 0.5 watts at 70°C derated to 0 watts at 120°C
- Insulation resistance:**
dry: 10K Meg Ω
wet: 100K Meg Ω
- Dielectric strength:** 750 V RMS at sea level
- Operating voltage:** 350 V, subject to power rating

MECHANICAL SPECIFICATIONS:

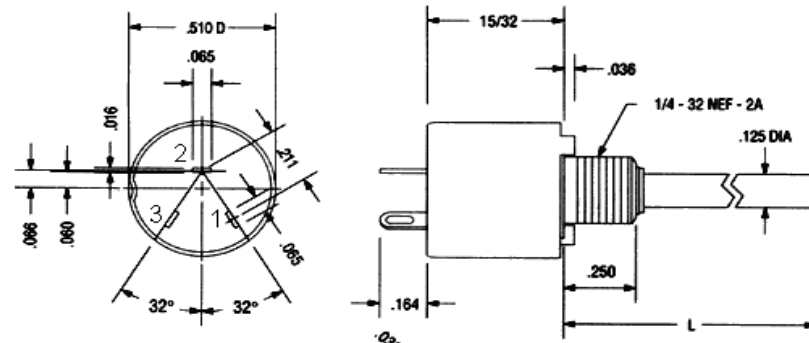
- Mechanical rotation:** 295°
- Operating torque:** 0.5 oz/in to 6 oz/in
- Rotational life:** 25,000 cycles

ENVIRONMENTAL SPECIFICATIONS:

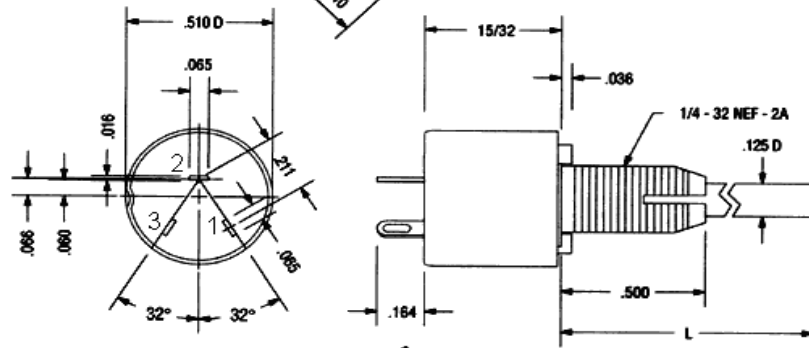
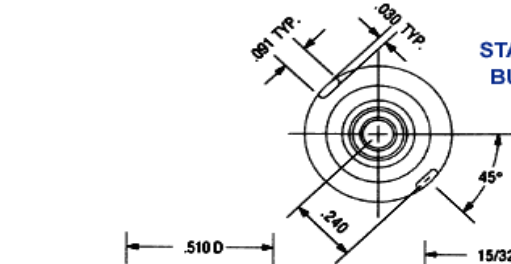
- Operating temperature:** - 65°C to +125°C
- Resistance to soldering heat:** 350°C for 5 seconds
- Humidity range:** per MIL-R-94
- Vibration range:** per MIL-R-94
- Shock resistance:** per MIL-R-94
- Load life:** 1000 hours at 70°C



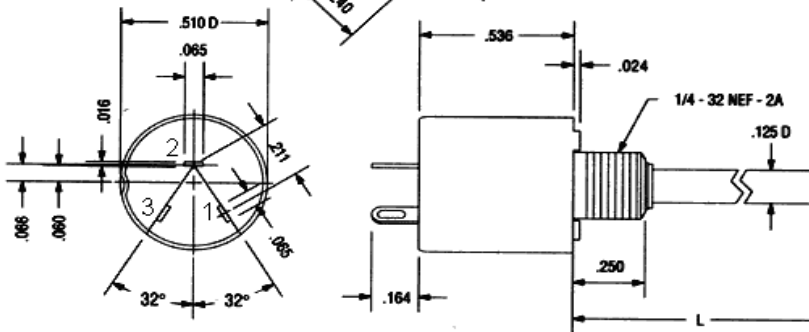
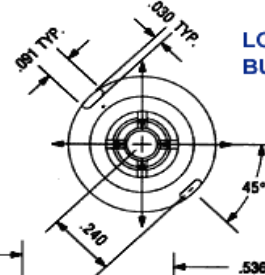
DRAWING:



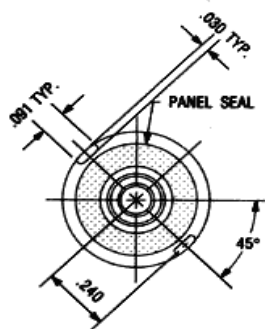
STANDARD BUSHING



LOCKING BUSHING



PANEL AND SHAFT SEAL





ORDERING INFORMATION:

Ordering Information - Commercial Part Numbers							
Series	Bushing	Bushing Length	Taper	Resistance Value	Tolerance	Shaft Style	Shaft Length
S = series S	Blank = standard L = locking W = panel & shaft steel	Blank = 1/4" 6 = 3/8"	U = linear A = logarithmic B = reverse logarithmic	Total resistance value in Ω: first 2 digits significant, third digit = number of zeroes	1 = 10% of nominal 2 = 20% of nominal	R = round S = slotted F = flatted	16 = 1/2" 20 = 5/8" 24 = 3/4" 28 = 7/8" 32 = 1" 36 = 1 1/8"
Example: SLA1021S20 note: not all part number combinations are valid							

Ordering Information - Military Part Numbers							
Style	Bushing	Switch	Temperature & Moisture Characteristics	Shaft Style	Shaft Length	Resistance Value	Taper & Tolerance
RV6 = MIL style RV6	N = standard L = locking S = panel & shaft seal	A = without switch	Y = as per MIL-R-94	S = slotted F = flatted	L = 3/8" B = 1/2" A = 5/8" D = 7/8"	Total resistance value in Ω: first 2 digits significant, third digit = number of zeroes	A = linear 10% B = linear 20% C = logarithmic 10% D = logarithmic 20% E = reverse logarithmic 10% F = reverse logarithmic 20%
Example: RV6LAYS A102C note: not all part number combinations are valid							

Series S Cross Reference				
Precision	Military	Clarostat	Allen Bradley	Ohmite
SU S28	RV6NAYSD A	392M / 382C3	WA2G056S UA	ASM
SU S12	RV6NAYSL A	392M / 382C4	WA2G024S UA	N/A
SLU S20	RV6LAYS A	392M / 382C2	WA2L040S UC	AS
SLU S28	RV6LAYS D A	393M / 382C5	WA2L056S UC	N/A