



Chipsmall Limited consists of a professional team with an average of over 10 year of expertise in the distribution of electronic components. Based in Hongkong, we have already established firm and mutual-benefit business relationships with customers from,Europe,America and south Asia,supplying obsolete and hard-to-find components to meet their specific needs.

With the principle of “Quality Parts,Customers Priority,Honest Operation,and Considerate Service”,our business mainly focus on the distribution of electronic components. Line cards we deal with include Microchip,ALPS,ROHM,Xilinx,Pulse,ON,Everlight and Freescale. Main products comprise IC,Modules,Potentiometer,IC Socket,Relay,Connector.Our parts cover such applications as commercial,industrial, and automotives areas.

We are looking forward to setting up business relationship with you and hope to provide you with the best service and solution. Let us make a better world for our industry!



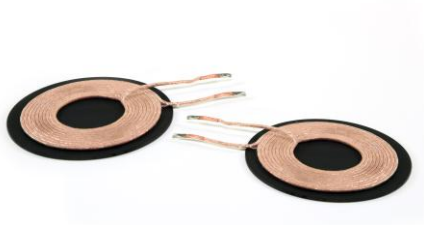
Contact us

Tel: +86-755-8981 8866 Fax: +86-755-8427 6832

Email & Skype: info@chipsmall.com Web: www.chipsmall.com

Address: A1208, Overseas Decoration Building, #122 Zhenhua RD., Futian, Shenzhen, China





FEATURES



- Designed to meet WPC Qi Standard, power transmitter design A11 compliant
- Operating temperature -40°C to +125°C
- Assembled with ferrite plate which is built with WPC listed ferrite material, high Q for maximum power transmission

APPLICATIONS

- Wireless charger for general electronic device or aftermarket accessories
- Wireless charger for office, residential or public area application
- Wireless charger for power tools or any other devices that need contactless power
- Wireless charging embedded solution for automobile central console, arm rest...etc

ELECTRICAL SPECIFICATIONS

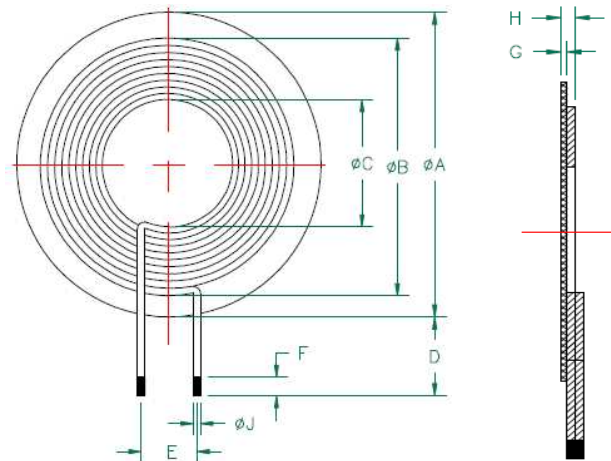
PART NUMBER	INDUCTANCE ($\mu\text{H} \pm 10\%$)			DCR Max (m Ω)	Q @ 100 KHz/1V (MIN)
	MIN	NOM	MAX		
RWC5050AK060-500	5.85	6.50	7.15	50	70

1. Inductance tested at 100KHz,1V
2. Operating temperature range: -40°C ~ +125°C (Including self-heating)
3. Storage temperature range (packaging conditions): -10°C ~ +40°C and RH 70%(MAX)

SHAPES AND DIMENSIONS

Unit:mm

A	B	C
50.00 \pm 0.50	44.00 \pm 1.50	20.50 \pm 0.50
D	E	F
17.00 Min.	10.00 Ref.	5.00 \pm 2.00
G	H	J
1.00 \pm 0.10	3.00 Max.	1.20 Ref.



PART NUMBER SYSTEM EXAMPLE

<u>RWC</u>	<u>5050</u>	<u>AK</u>	<u>060</u>	-	<u>500</u>
Coil Type	Part Size Code	Height Code	Inductance Code		Catalog or Custom Information

USA: +1.423.308.1690
Europe: +42.0.4885.7511.1
Asia: +86.757.2563.8860

MCP-DS-WPC A11 REV1.0 1213

Any information furnished by Laird Technologies, Inc. and its agents is believed to be accurate and reliable. All specifications are subject to change without notice. Responsibility for the use and application of Laird Technologies materials rests with the end user. Laird Technologies makes no warranties as to the fitness, merchantability, suitability or non-infringement of any Laird Technologies materials or products for any specific or general uses. Laird Technologies shall not be liable for incidental or consequential damages of any kind. All Laird Technologies products are sold pursuant to the Laird Technologies Terms and Conditions of sale in effect from time to time, a copy of which will be furnished upon request. © Copyright 2013 Laird Technologies, Inc. All Rights Reserved. Laird, Laird Technologies, the Laird Technologies Logo, and other marks are trademarks or registered trademarks of Laird Technologies, Inc. or an affiliate company thereof. Other product or service names may be the property of third parties. Nothing herein provides a license under any Laird Technologies or any third party intellectual property rights. Version A01