



Chipsmall Limited consists of a professional team with an average of over 10 year of expertise in the distribution of electronic components. Based in Hongkong, we have already established firm and mutual-benefit business relationships with customers from,Europe,America and south Asia,supplying obsolete and hard-to-find components to meet their specific needs.

With the principle of “Quality Parts,Customers Priority,Honest Operation,and Considerate Service”,our business mainly focus on the distribution of electronic components. Line cards we deal with include Microchip,ALPS,ROHM,Xilinx,Pulse,ON,Everlight and Freescale. Main products comprise IC,Modules,Potentiometer,IC Socket,Relay,Connector.Our parts cover such applications as commercial,industrial, and automotives areas.

We are looking forward to setting up business relationship with you and hope to provide you with the best service and solution. Let us make a better world for our industry!



Contact us

Tel: +86-755-8981 8866 Fax: +86-755-8427 6832

Email & Skype: info@chipsmall.com Web: www.chipsmall.com

Address: A1208, Overseas Decoration Building, #122 Zhenhua RD., Futian, Shenzhen, China





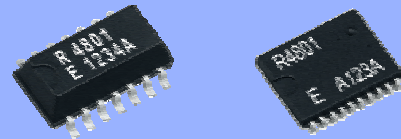
Built-in 32.768 kHz-DTCXO, High Stability SERIAL-INTERFACE REAL TIME CLOCK MODULE

RX-4801SA/ JE

- Built in frequency adjusted 32.768 kHz crystal unit and DTCXO.
- Interface Type : 4-wire serial interface
- Interface voltage range : 1.6 V to 5.5 V
- Temp.compensated voltage range: 2.2 V to 5.5 V
- Wide Timekeeper voltage range : 1.6 V to 5.5 V
- 32.768 kHz frequency output function : C-MOS output With Control Pin
- The various functions include full calendar, alarm, timer.



Product Number (Please contact us)
 RX-4801SA : X1B000021xxxx00
 RX-4801JE : X1B000041xxxx00



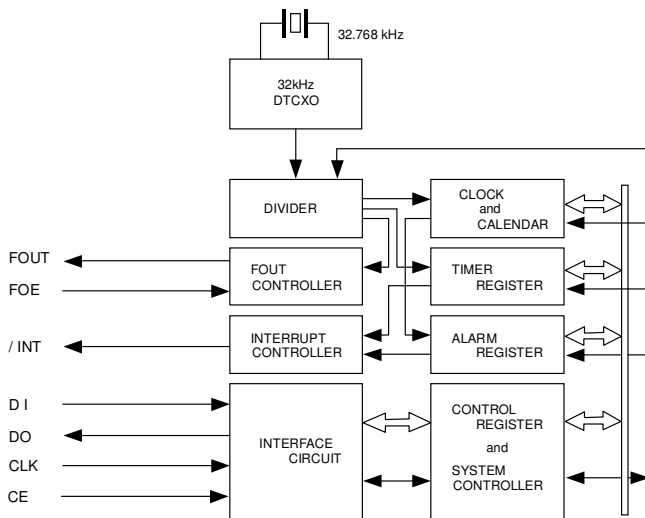
Actual size

RX-4801SA

RX-4801JE



Block diagram



Overview

- High Stability
 - UA
 - $\pm 1.9 \times 10^{-6}$ / 0 °C to +40 °C (Equivalent to 5 seconds of month deviation)
 - $\pm 3.4 \times 10^{-6}$ / -40 °C to +85 °C (Equivalent to 9 seconds of month deviation)
 - UB
 - $\pm 3.8 \times 10^{-6}$ / 0 °C to +50 °C (Equivalent to 10 seconds of month deviation)
 - $\pm 5.0 \times 10^{-6}$ / -40 °C to +85 °C (Equivalent to 13 seconds of month deviation)
- 32.768 kHz frequency output function
 - FOUT pin output (C-MOS output), CL=30 pF
 - Output selectable < 32.768 kHz, 1024 Hz, 1 Hz >
- The various interrupt
 - Timer Function can be set up between 1/4096 second and 255 minutes.
 - Alarm Function can be set to day of week, day, hour, or minute.

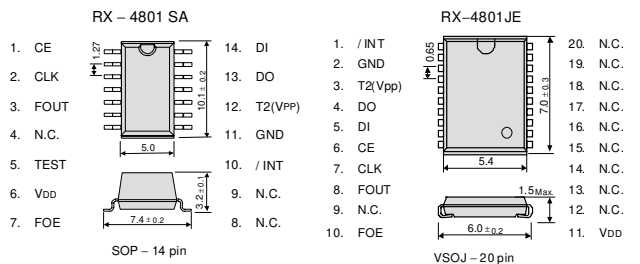
*It is possible to use it by the terminal connection as 32.768 kHz-DTCXO.

Pin Function

| Signal Name | I / O | Function |
|-------------|--------|---|
| / INT | Output | The open drain output for interrupt. |
| GND | - | Connected to a ground |
| T2(Vpp) | - | * Use by the manufacture for testing. (Do not connect externally.) |
| DO | Output | The data output pin for serial data transfer. |
| DI | input | The data input pin for serial data transfer. |
| CE | input | The chip enable input pin. |
| CLK | input | The shift clock input pin for serial data transfer. |
| FOUT | Output | The pin outputs the reference clock signal. (CMOS output) |
| FOE | input | The input pin for the FOUT output control. |
| VDD | - | Connected to a positive power supply |

Terminal connection / External dimensions

(Unit:mm)



Metal may be exposed on the top or bottom of this product. This will not affect any quality, reliability or electrical spec.

Specifications (characteristics)

* Refer to application manual for details.

■ Electrical Characteristics

| Item | Symbol | Condition | Min. | Typ. | Max. | Unit | |
|---------------------------|------------------|--|-----------------------|--------------------|------|--------------------|----|
| Interface voltage | V _{DD} | Interface voltage | 1.6 | 3.0 | 5.5 | V | |
| Temp. compensated Voltage | V _{TEM} | Temp. compensated voltage | 2.2 | 3.0 | 5.5 | V | |
| Clock voltage | V _{CLK} | - | 1.6 | 3.0 | 5.5 | V | |
| Operating temperature | T _{OPR} | - | -40 | +25 | +85 | °C | |
| Stability | Δf/f | UA | Ta = 0 °C to +40 °C | ±1.9 ^{*1} | | × 10 ⁻⁶ | |
| | | | Ta = -40 °C to +85 °C | ±3.4 ^{*2} | | | |
| | | UB | Ta = 0 °C to +50 °C | ±3.8 ^{*3} | | | |
| | | | Ta = -40 °C to +85 °C | ±5.0 ^{*4} | | | |
| Current consumption (1) | I _{BK1} | Backup Mode FOE = GND, /INT = V _{DD} FOUT output : OFF | V _{DD} = 5V | - | 1.2 | 3.4 | μA |
| Current consumption (2) | I _{BK2} | | V _{DD} = 3V | - | 0.8 | 2.1 | μA |

^{*1}) Equivalent to 5 seconds of month deviation. ^{*2}) Equivalent to 9 seconds of month deviation.
^{*3}) Equivalent to 10 seconds of month deviation. ^{*4}) Equivalent to 13 seconds of month deviation.

■ 32.768 kHz-DTCXO Frequency temperature characteristics (Example)

