



Chipsmall Limited consists of a professional team with an average of over 10 year of expertise in the distribution of electronic components. Based in Hongkong, we have already established firm and mutual-benefit business relationships with customers from,Europe,America and south Asia,supplying obsolete and hard-to-find components to meet their specific needs.

With the principle of “Quality Parts,Customers Priority,Honest Operation,and Considerate Service”,our business mainly focus on the distribution of electronic components. Line cards we deal with include Microchip,ALPS,ROHM,Xilinx,Pulse,ON,Everlight and Freescale. Main products comprise IC,Modules,Potentiometer,IC Socket,Relay,Connector.Our parts cover such applications as commercial,industrial, and automotives areas.

We are looking forward to setting up business relationship with you and hope to provide you with the best service and solution. Let us make a better world for our industry!



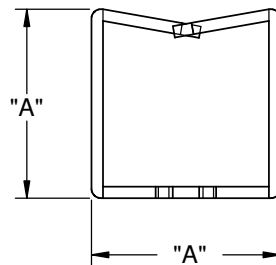
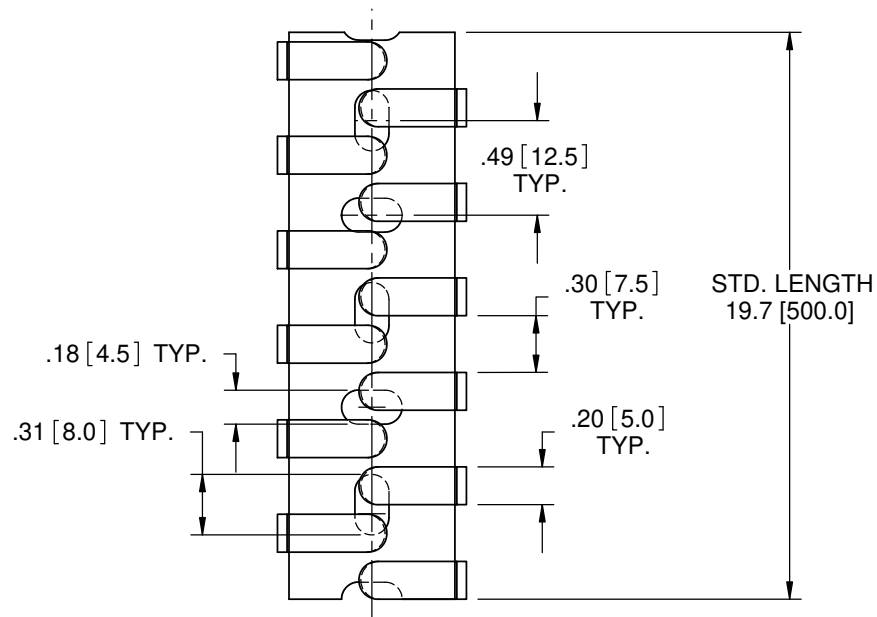
Contact us

Tel: +86-755-8981 8866 Fax: +86-755-8427 6832

Email & Skype: info@chipsmall.com Web: www.chipsmall.com

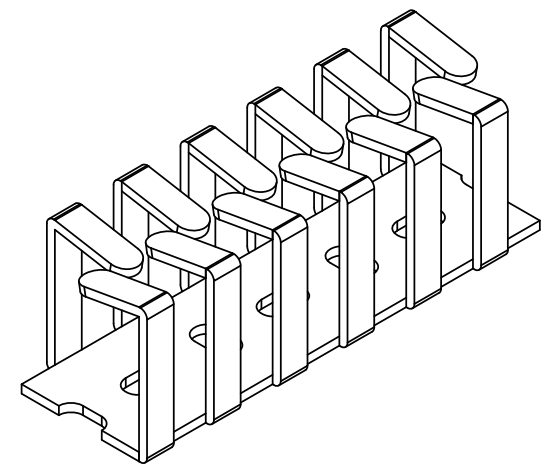
Address: A1208, Overseas Decoration Building, #122 Zhenhua RD., Futian, Shenzhen, China





PART NO.	EXT. DIM. "A"	MOUNTING METHOD	INT. SECTION IN ² [MM ²]
*RX1313-0	.49 [12.5]	SCREW	.171 [110.0]
*RX1313-4		ADHESIVE	
RX1616-0	.63 [16.0]	SCREW	287 [185.0]
RX1616-4		ADHESIVE	
RX2020-0	.79 [20.0]	SCREW	.496 [320.0]
RX2020-4		ADHESIVE	
RX2525-0	.98 [25.0]	SCREW	.775 [500.0]
RX2525-4		ADHESIVE	
RX3030-0	1.18 [30.0]	SCREW	1.116 [720]
RX3030-4		ADHESIVE	
RX4040-0	1.57 [40.0]	SCREW	2.046 [1320.0]
RX4040-4		ADHESIVE	
RX5050-0	1.97 [50.0]	SCREW	3.162 [2040.0]
RX5050-4		ADHESIVE	

*ONLY ON THESE TWO PARTS,
ALL HOLES HAVE THE SAME ORIENTATION



- NOTES:
 1. MATERIAL: POLYPROPYLENE (RMS-177).
 2. COLOR: GRAY RAL7040.
 3. SHR CAT INSTALLATION TOOL SERIES CAN BE USED FOR QUICK HARNESS ASSEMBLY
 4. DOUBLE SIDED ADHESIVE TAPE (RMS-93).
 5. SCREW MOUNT CHANNEL IS UL LISTED

TITLE: CHANNEL, FLEXIBLE (RICHFLEX)				DWG IN IN [MM]		FINAL		PRINT TYPE	
CREATED USING SOLIDWORKS		FILE #: RX XXXX-X		DWN: SM		APP: -		PART #	
TOLERANCES UNLESS NOTED		SHEET: 1 OF 2 SHEET SIZE: A		DT: 01/04/05		CHKD: -		SEE TABLE	
.XX=±.010 .XXX=±.005 FRAC.=±1/64 ANG.=±1°		RE: RICHCO, INC.		RICHCO, INC. ENG@RICHCO-INC.COM (773) 539-4060				CA	

REV.	DESCRIPTION	ENGR.	DATE
G	REMOVED V-0 MATERIAL, SEE CO 200625	SK	02/16/11
F	SEE CO 200072	SK	11/28/07
E	SEE ECN #903 FOR CHANGES	SM	01/04/05
-	SEE ENGINEERING FOR REV A-D	--	----