



Chipsmall Limited consists of a professional team with an average of over 10 year of expertise in the distribution of electronic components. Based in Hongkong, we have already established firm and mutual-benefit business relationships with customers from,Europe,America and south Asia,supplying obsolete and hard-to-find components to meet their specific needs.

With the principle of “Quality Parts,Customers Priority,Honest Operation,and Considerate Service”,our business mainly focus on the distribution of electronic components. Line cards we deal with include Microchip,ALPS,ROHM,Xilinx,Pulse,ON,Everlight and Freescale. Main products comprise IC,Modules,Potentiometer,IC Socket,Relay,Connector.Our parts cover such applications as commercial,industrial, and automotives areas.

We are looking forward to setting up business relationship with you and hope to provide you with the best service and solution. Let us make a better world for our industry!



Contact us

Tel: +86-755-8981 8866 Fax: +86-755-8427 6832

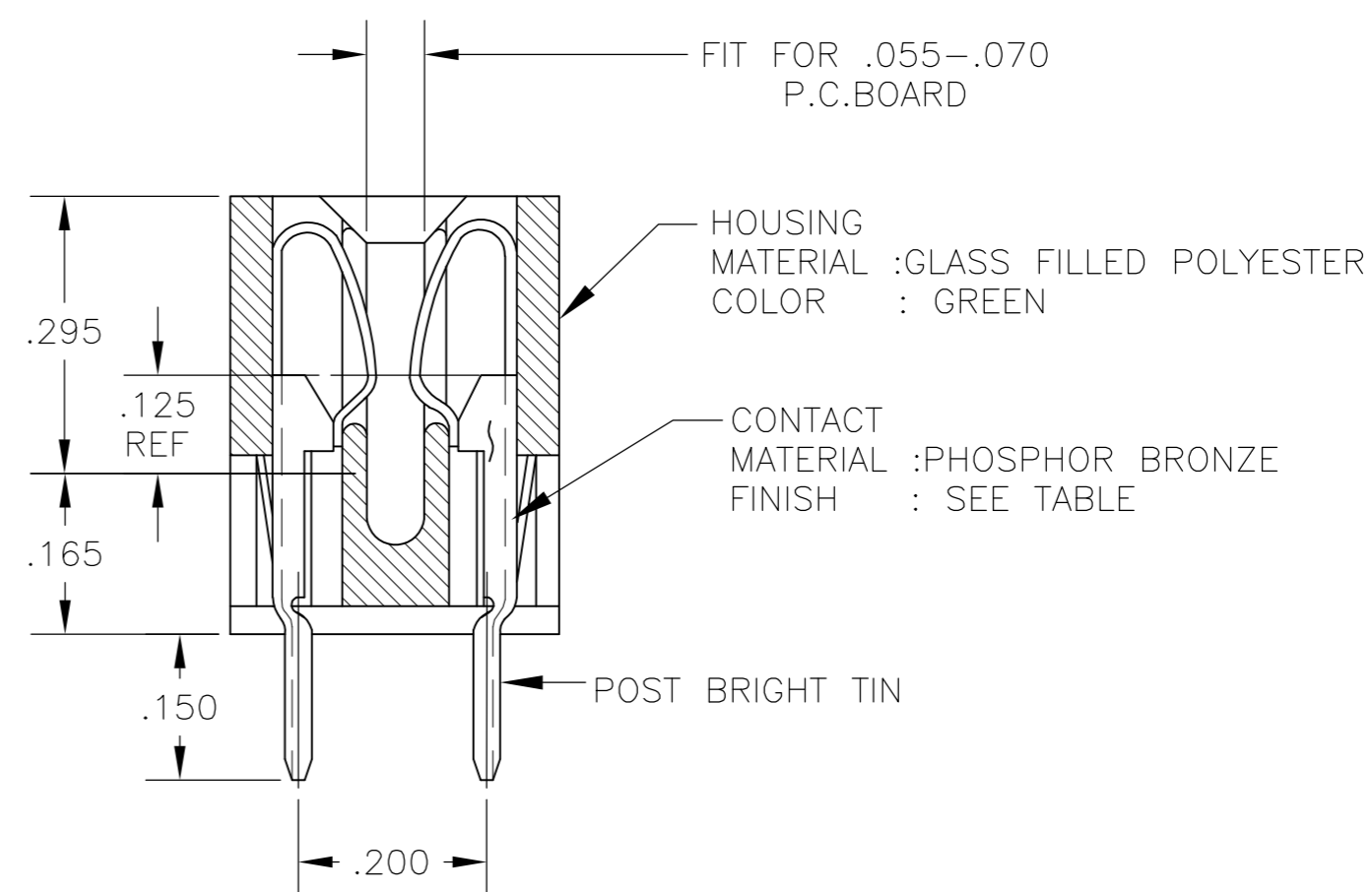
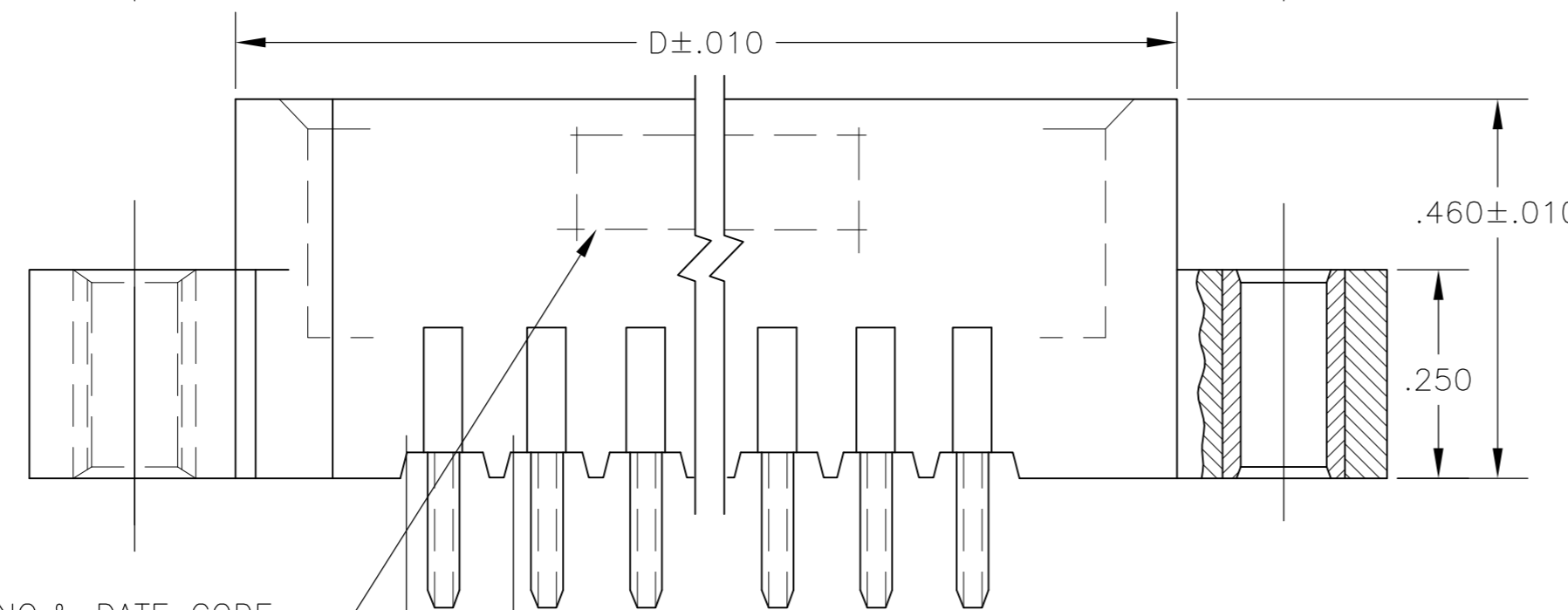
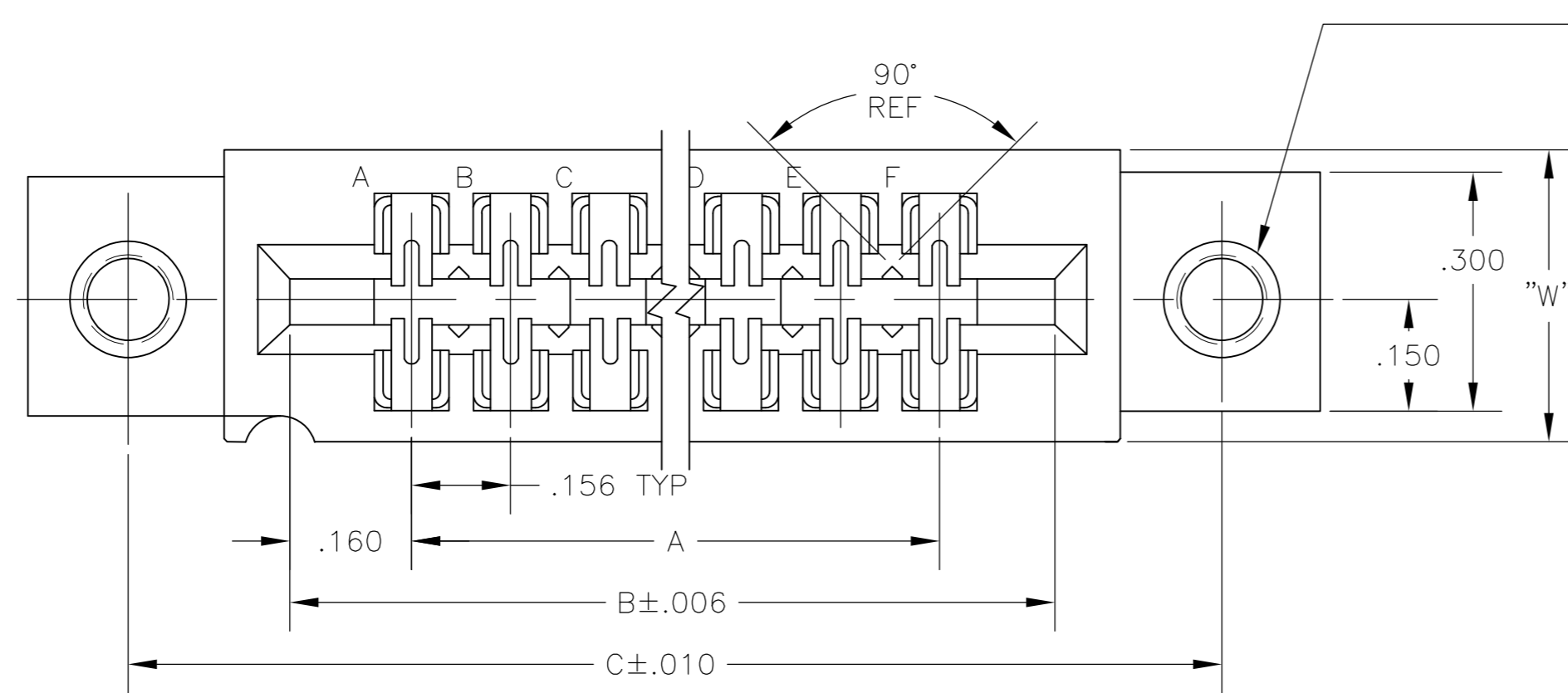
Email & Skype: info@chipsmall.com Web: www.chipsmall.com

Address: A1208, Overseas Decoration Building, #122 Zhenhua RD., Futian, Shenzhen, China

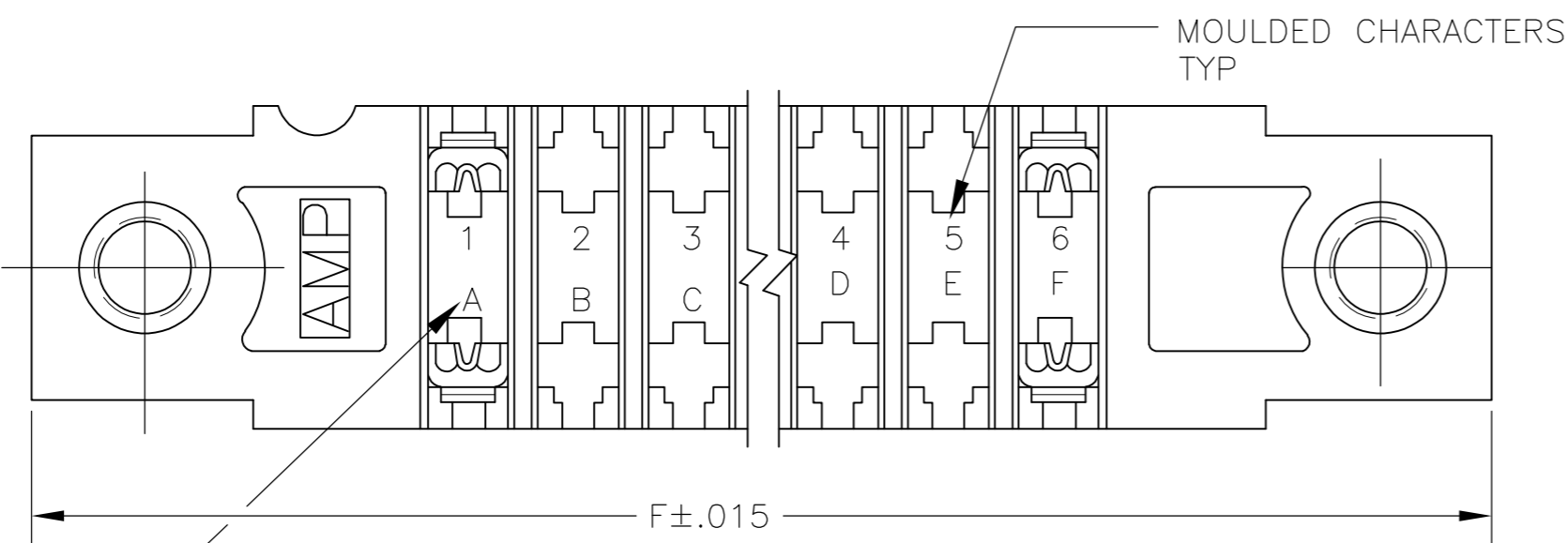


THIS DRAWING IS UNPUBLISHED. RELEASED FOR PUBLICATION
 © COPYRIGHT BY TYCO ELECTRONICS CORPORATION. ALL RIGHTS RESERVED.

LOC		DIST		REVISIONS			
P	LTR	DESCRIPTION	DATE	DWN	APVD		
	L	ECO-07-012860	24JUL2007	RB	MM		



"AMP", PART NO. & DATE CODE
 INK STAMPED (WHITE OR HOT
 STAMP NO WHITE TAPE) IN
 THIS AREA. (SIDE OPTIONAL)



MOULDED CHARACTERS UPPER AND LOWER CASE LETTERS
 OMITTING LETTERS G, I, O & Q

THIS DRAWING IS A CONTROLLED DOCUMENT.		DWN	15JUL75	Tyco Electronics Corporation Harrisburg, PA 17105-3608
DIMENSIONS: INCHES		CHK	15JUL75	
TOLERANCES UNLESS OTHERWISE SPECIFIED:		APVD	16JUL75	
0 PLC ± .005 1 PLC ± - 2 PLC ± - 3 PLC ± - 4 PLC ± - ANGLES ± -		NAME		HOUSING ASSY, LOW PROFILE EDGE CONNECTOR. FLOW SOLDER POST FOR .052 DIA. HOLE, .156 X .200 CENTERS
MATERIAL: SEE CALL-OUT		FINISH: SEE CALL-OUT		
MATERIAL: SEE CALL-OUT		FINISH: SEE CALL-OUT		SIZE: A2 CAGE CODE: 00779 DRAWING NO: C=530677
CUSTOMER DRAWING		WEIGHT	-	SCALE: 5:1
		SHEET 1 of 2		REV L

THIS DRAWING IS UNPUBLISHED. RELEASED FOR PUBLICATION
 © COPYRIGHT BY TYCO ELECTRONICS CORPORATION. ALL RIGHTS RESERVED.

LOC	DIST	REVISIONS			
P	LTR	DESCRIPTION	DATE	DWN	APVD
AD	00	SEE SHEET 1	-	-	-

- 1 .000015 MIN. GOLD OVER .000050 MIN. NICKEL IN CONTACT AREA
- 2 .000030 MIN. GOLD OVER .000050 MIN. NICKEL IN CONTACT AREA
- 3 ALL PARTS ASSEMBLED IN MEXICO MUST BE STAMPED "ASSY IN MEXICO"
THE WORD "MEXICO" CAN BE SUBSTITUTED ONLY WHERE PART SIZE
PROHIBITS STAMPING "ASSY IN MEXICO" INK STAMP COLOR WHITE OR HOT
STAMP (NO WHITE TAPE) 115-9009, APPROX. WHERE SHOWN, SIDE OPTIONAL.
- 4 MATTE TIN PLATED CONTACT TAILS

4	.437	8-530677-3	7.557	7.012	7.307	6.872	6.552	43		
4	.370	7-530677-4	3.189	2.644	2.939	2.504	2.184	15		
4	.370	7-530677-1	1.785	1.240	1.535	1.100	.780	6		
	.437	3-530677-3	7.557	7.012	7.307	6.872	6.552	43	1-530677-3	
	.370	3-530677-2	5.217	4.672	4.967	4.532	4.212	28	1-530677-2	
	.437	3-530677-1	7.713	7.168	7.463	7.028	6.708	44	1-530677-1	
	.437	3-530677-0	6.465	5.920	6.215	5.780	5.460	36	1-530677-0	
	.437	2-530677-9	5.529	4.984	5.279	4.844	4.524	30	530677-9	
	.370	2-530677-8	4.749	4.204	4.499	4.064	3.744	25	530677-8	
	.370	2-530677-7	4.593	4.048	4.343	3.908	3.588	24	530677-7	
	.370	2-530677-6	4.281	3.736	4.031	3.596	3.276	22	530677-6	
	.370	2-530677-5	3.657	3.112	3.407	2.972	2.652	18	530677-5	
	.370	2-530677-4	3.189	2.644	2.939	2.504	2.184	15	530677-4	
	.370	2-530677-3	3.721	2.176	2.471	2.036	1.716	12	530677-3	
	.370	2-530677-2	2.409	1.864	2.159	1.724	1.404	10	530677-2	
	.370	2-530677-1	1.785	1.240	1.535	1.100	.780	6	530677-1	
W	PART NO.	2	F	D	C	B	A	NO OF POSN.	1	PART NO.

OBSOLETE

THIS DRAWING IS A CONTROLLED DOCUMENT.		DWN	15JUL75	Tyco Electronics Corporation Harrisburg, PA 17105-3608
DIMENSIONS: INCHES		CHK	15JUL75	
TOLERANCES UNLESS OTHERWISE SPECIFIED:		APVD	16JUL75	
0 PLC ± .005 1 PLC ± .010 2 PLC ± .015 3 PLC ± .020 4 PLC ± .025 ANGLES ± .5°		PRODUCT SPEC		NAME
MATERIAL		APPLICATION SPEC		HOUSING ASSY, LOW PROFILE EDGE CONNECTOR. FLOW SOLDER POST FOR .052 DIA. HOLE, .156 X .200 CENTERS
FINISH		WEIGHT	-	SIZE
		CUSTOMER DRAWING		CAGE CODE
		SCALE 5:1		DRAWING NO
		SHEET 2 of 2		RESTRICTED TO
		REV L		