



Chipsmall Limited consists of a professional team with an average of over 10 year of expertise in the distribution of electronic components. Based in Hongkong, we have already established firm and mutual-benefit business relationships with customers from,Europe,America and south Asia,supplying obsolete and hard-to-find components to meet their specific needs.

With the principle of “Quality Parts,Customers Priority,Honest Operation,and Considerate Service”,our business mainly focus on the distribution of electronic components. Line cards we deal with include Microchip,ALPS,ROHM,Xilinx,Pulse,ON,Everlight and Freescale. Main products comprise IC,Modules,Potentiometer,IC Socket,Relay,Connector.Our parts cover such applications as commercial,industrial, and automotives areas.

We are looking forward to setting up business relationship with you and hope to provide you with the best service and solution. Let us make a better world for our industry!



## Contact us

Tel: +86-755-8981 8866 Fax: +86-755-8427 6832

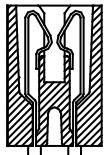
Email & Skype: info@chipsmall.com Web: www.chipsmall.com

Address: A1208, Overseas Decoration Building, #122 Zhenhua RD., Futian, Shenzhen, China



# .050" [1.27mm] CONTACT CENTERS .610" INSULATOR HEIGHT

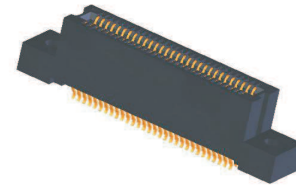
## READOUT



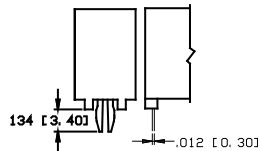
DUAL (D)

## FEATURES

- \* Accommodates .062 ±.008" PC board
- \* PPS or PA9T insulator
- \* Molded-in key available
- \* High reliability/high cycle hairpin bellows contact
- \* 1 amp current rating
- \* 150 grams normal force minimum



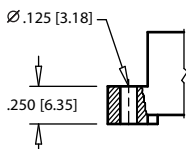
## MOUNTING STYLE



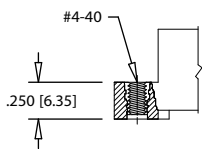
BOARD LOCK (R)



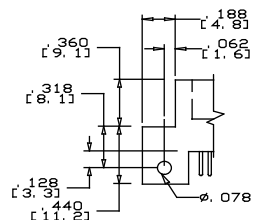
NO MOUNTING EARS (N)



FLUSH MOUNTING (D)



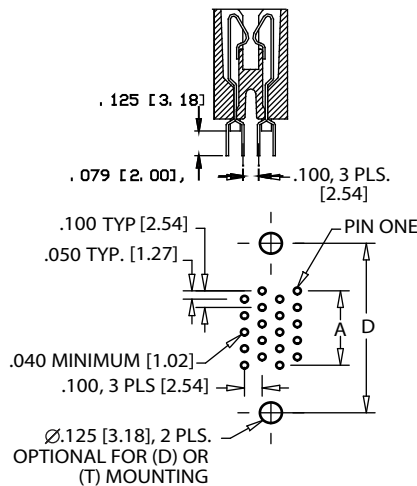
FLUSH MOUNTING WITH THREADED INSERT (T)



STRADDLE MOUNT (Q)

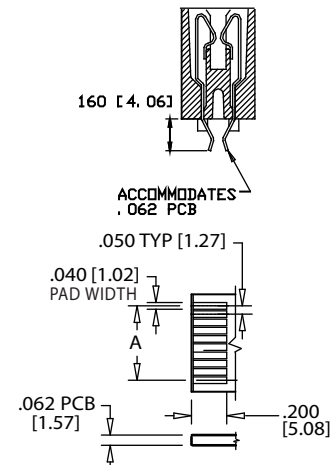
## TERMINATION TYPE

### STAGGERED DIP SOLDER (HH)



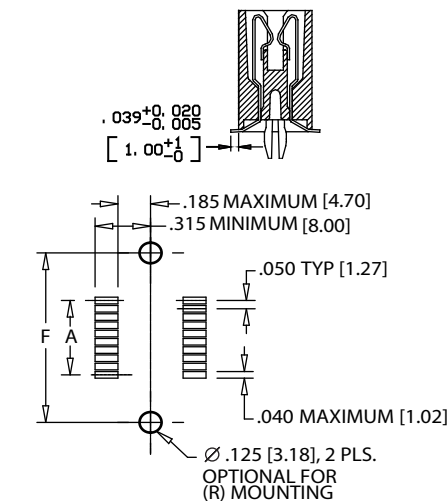
PC BOARD LAYOUT, CONNECTOR SIDE

### CARD EXTENDER (HR)



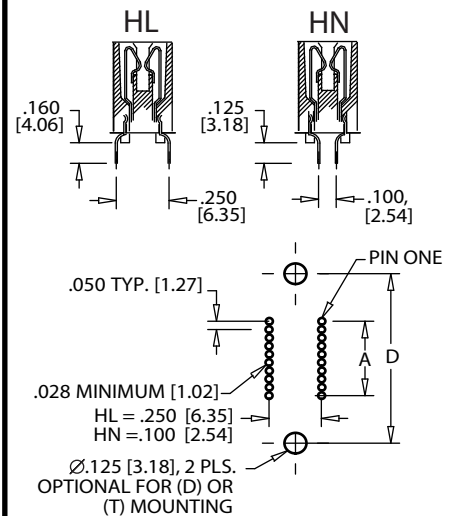
PC BOARD LAYOUT, SOLDER END

### SURFACE MOUNT (HF)



PC BOARD LAYOUT, CONNECTOR SIDE

### DIP SOLDER (HL, HN)



PC BOARD LAYOUT, CONNECTOR SIDE



# .050" [1.27mm] CONTACT CENTERS, .610" INSULATOR HEIGHT

## PART NUMBER CODING\*

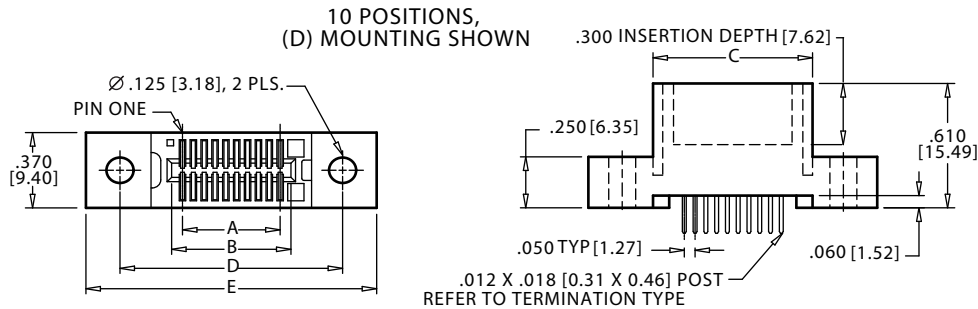
<p><b>MATERIALS (Insulator/Contact)</b></p> <p>R = PPS/Phosphor Bronze          A = PPS/Beryllium Copper          G = PA9T/Phosphor Bronze          J = PA9T/Beryllium Copper</p> <p><b>Consult Factory for Other Materials</b></p> <p><b>CONTACT FINISH</b> (All Platings have .000050" NICKEL Underplate)</p> <table border="0" style="width: 100%;"> <tr> <td style="width: 50%;"><b>Contact Surface</b></td> <td style="width: 50%;"><b>Termination</b></td> </tr> <tr> <td>Z = .000010" Gold</td> <td>.000100" Tin/Lead</td> </tr> <tr> <td>X = .000030" Gold</td> <td>.000100" Tin/Lead</td> </tr> <tr> <td>B = .000010" Gold</td> <td>.000100" Pure Tin, Matte</td> </tr> <tr> <td>C = .000030" Gold</td> <td>.000100" Pure Tin, Matte</td> </tr> </table> <p><b>CONTACT CENTERS</b></p> <p>B = .050" [1.27 mm]</p> <p><b>NUMBER OF CONTACT POSITIONS</b></p> <p>5 thru 110</p>	<b>Contact Surface</b>	<b>Termination</b>	Z = .000010" Gold	.000100" Tin/Lead	X = .000030" Gold	.000100" Tin/Lead	B = .000010" Gold	.000100" Pure Tin, Matte	C = .000030" Gold	.000100" Pure Tin, Matte	<p style="text-align: center;"><b>R Z B 40 D HH D -SXXX</b></p> <p><b>MODIFICATIONS (Consult Factory)</b> Omit For Standard</p> <p><b>MOUNTING STYLE (Opposite Page)</b>          D = Flush Mounting          N = No Mounting          T = Flush Mounting With Threaded Insert          Q = Straddle Mount          R = Metal Boardlocks</p> <p><b>TERMINATION TYPE (Opposite Page)</b>          HH = Staggered Dip Solder          HR = Card Extender          HF = Surface Mount          HL = .250" [6.35mm] x.160" [4.06mm] Dip Solder          HN = .100" [2.54mm] x.125" [3.18mm] Dip Solder</p> <p><b>(REPLACES TERMINATIONS: CH, CR, CF, CL, CN)</b></p>
<b>Contact Surface</b>	<b>Termination</b>										
Z = .000010" Gold	.000100" Tin/Lead										
X = .000030" Gold	.000100" Tin/Lead										
B = .000010" Gold	.000100" Pure Tin, Matte										
C = .000030" Gold	.000100" Pure Tin, Matte										

## DIMENSIONS

█ = Lead Free Plating  
 RoHS COMPLIANT

**READOUT (Opposite Page)**  
 D = Dual

Dimensions in [ ] are in millimeters, all others in inches.



POSITIONS/ CONTACTS	INCHES						MILLIMETERS					
	A ±.005	B ±.005	C ±.015	D ±.010	E ±.020	F ±.010	A ±0.13	B ±0.13	C ±0.38	D ±0.25	E ±0.51	F ±0.25
5/10	0.200	0.300	0.490	0.776	1.090	.350	5.08	7.62	12.45	19.71	27.69	8.890
6/12	0.250	0.350	0.540	0.826	1.140	.400	6.35	8.89	13.72	20.98	28.96	10.160
9/18	0.400	0.500	0.690	0.976	1.290	.550	10.16	12.70	17.53	24.79	32.77	13.970
10/20	0.450	0.550	0.740	1.026	1.340	.600	11.43	13.97	18.80	26.06	34.04	15.240
13/26	0.600	0.700	0.890	1.176	1.490	.750	15.24	17.78	22.61	29.87	37.85	19.050
14/28	0.650	0.750	0.940	1.226	1.540	.800	16.51	19.05	23.88	31.14	39.12	20.320
15/30	0.700	0.800	0.990	1.276	1.590	.850	17.78	20.32	25.15	32.41	40.39	21.590
20/40	0.950	1.050	1.240	1.526	1.840	1.100	24.13	26.67	31.50	38.76	46.74	27.940
22/44	1.050	1.150	1.340	1.626	1.940	1.200	26.67	29.21	34.04	41.30	49.28	30.480
25/50	1.200	1.300	1.490	1.776	2.090	1.350	30.48	33.02	37.85	45.11	53.09	34.290
30/60	1.450	1.550	1.740	2.026	2.340	1.600	36.83	39.37	44.20	51.46	59.44	40.640
34/68	1.650	1.750	1.940	2.226	2.540	1.800	41.91	44.45	49.28	56.54	64.52	45.720
35/70	1.700	1.800	1.990	2.276	2.590	1.850	43.18	45.72	50.55	57.81	65.79	46.990
40/80	1.950	2.050	2.240	2.526	2.840	2.100	49.53	52.07	56.90	64.16	72.14	53.340
45/90	2.200	2.300	2.490	2.776	3.090	2.350	55.88	58.42	63.25	70.51	78.49	59.690
50/100	2.450	2.550	2.740	3.026	3.340	2.600	62.23	64.77	69.60	76.86	84.84	66.040
55/110	2.700	2.800	2.990	3.276	3.590	2.850	68.58	71.12	75.95	83.21	91.19	72.390
60/120	2.950	3.050	3.240	3.526	3.840	3.100	74.93	77.47	82.30	89.56	97.54	78.740
64/128	3.150	3.250	3.440	3.726	4.040	3.300	80.01	82.55	87.38	94.64	102.62	83.820
65/130	3.200	3.300	3.490	3.776	4.090	3.350	81.28	83.82	88.65	95.91	103.89	85.090
66/132	3.250	3.350	3.540	3.826	4.140	3.400	82.55	85.09	89.92	97.18	105.16	86.360
70/140	3.450	3.550	3.740	4.026	4.340	3.600	87.63	90.17	95.00	102.26	110.24	91.440
75/150	3.700	3.800	3.990	4.276	4.590	3.850	93.98	96.52	101.35	108.61	116.59	97.790
80/160	3.950	4.050	4.240	4.526	4.840	4.100	100.33	102.87	107.70	114.96	122.94	104.140
85/170	4.200	4.300	4.490	4.776	5.090	4.350	106.68	109.22	114.05	121.31	129.29	110.490
90/180	4.450	4.550	4.740	5.026	5.340	4.600	113.03	115.57	120.40	127.66	135.64	116.840
95/190	4.700	4.800	4.990	5.276	5.590	4.850	119.38	121.92	126.75	134.01	141.99	123.190
100/200	4.950	5.050	5.240	5.526	5.840	5.100	125.73	128.27	133.10	140.36	148.34	129.540
105/210	5.200	5.300	5.490	5.776	6.090	5.350	132.08	134.62	139.45	146.71	154.69	135.890
108/216	5.350	5.450	5.640	5.926	6.240	5.500	135.89	138.43	143.26	150.52	158.50	139.700
110/220	5.450	5.550	5.740	6.026	6.340	5.600	138.43	140.97	145.08	153.06	161.06	142.240
120/240	5.950	6.050	6.240	'N' MOUNTING ONLY	6.100	6.100	151.13	153.67	158.50			154.940

\* For complete part number add termination type and mounting style from Part Number Coding (e.g. RZB40DHHDD).