



Chipsmall Limited consists of a professional team with an average of over 10 year of expertise in the distribution of electronic components. Based in Hongkong, we have already established firm and mutual-benefit business relationships with customers from,Europe,America and south Asia,supplying obsolete and hard-to-find components to meet their specific needs.

With the principle of “Quality Parts,Customers Priority,Honest Operation,and Considerate Service”,our business mainly focus on the distribution of electronic components. Line cards we deal with include Microchip,ALPS,ROHM,Xilinx,Pulse,ON,Everlight and Freescale. Main products comprise IC,Modules,Potentiometer,IC Socket,Relay,Connector.Our parts cover such applications as commercial,industrial, and automotives areas.

We are looking forward to setting up business relationship with you and hope to provide you with the best service and solution. Let us make a better world for our industry!



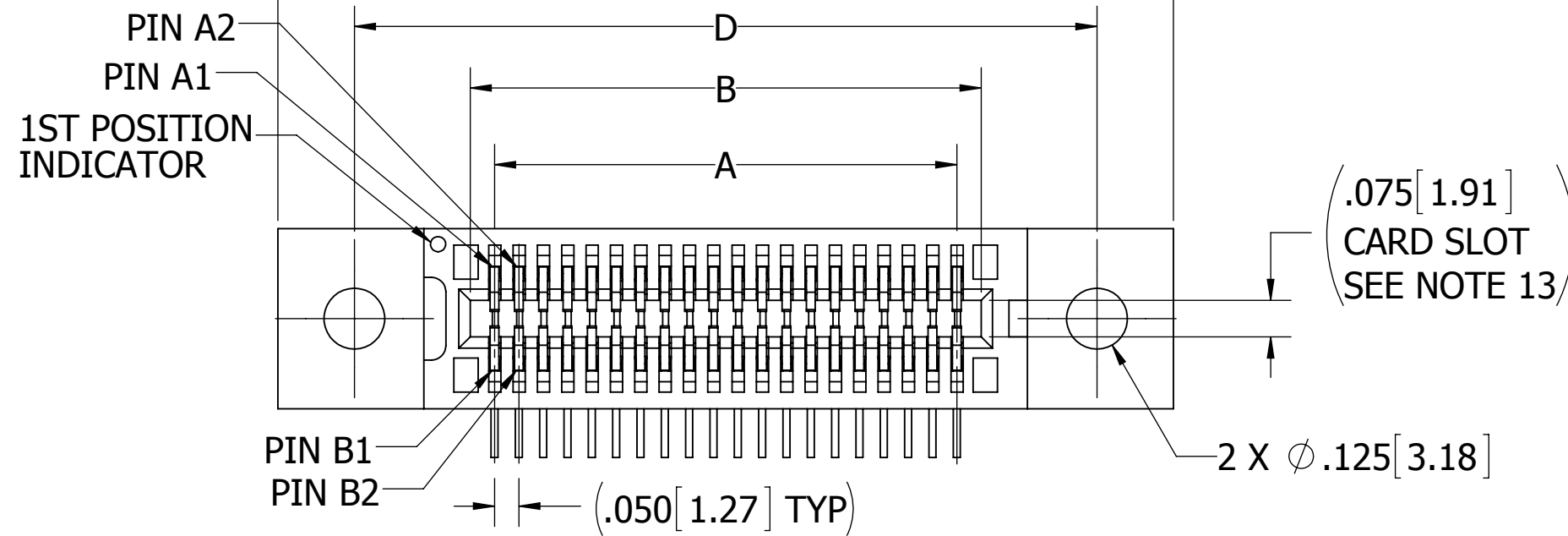
Contact us

Tel: +86-755-8981 8866 Fax: +86-755-8427 6832

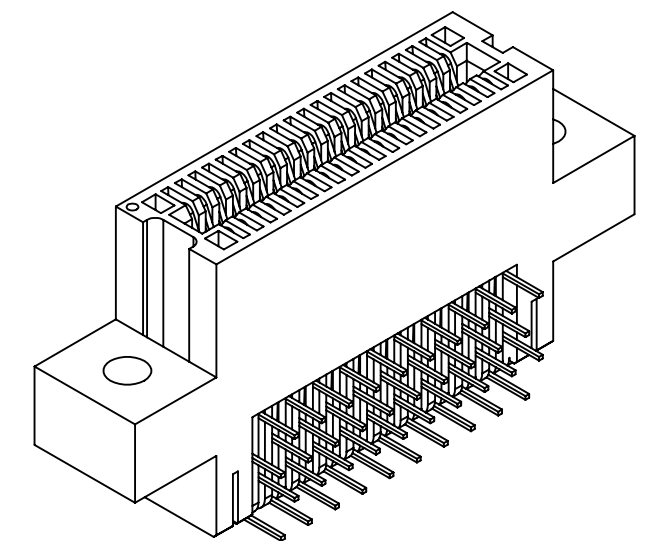
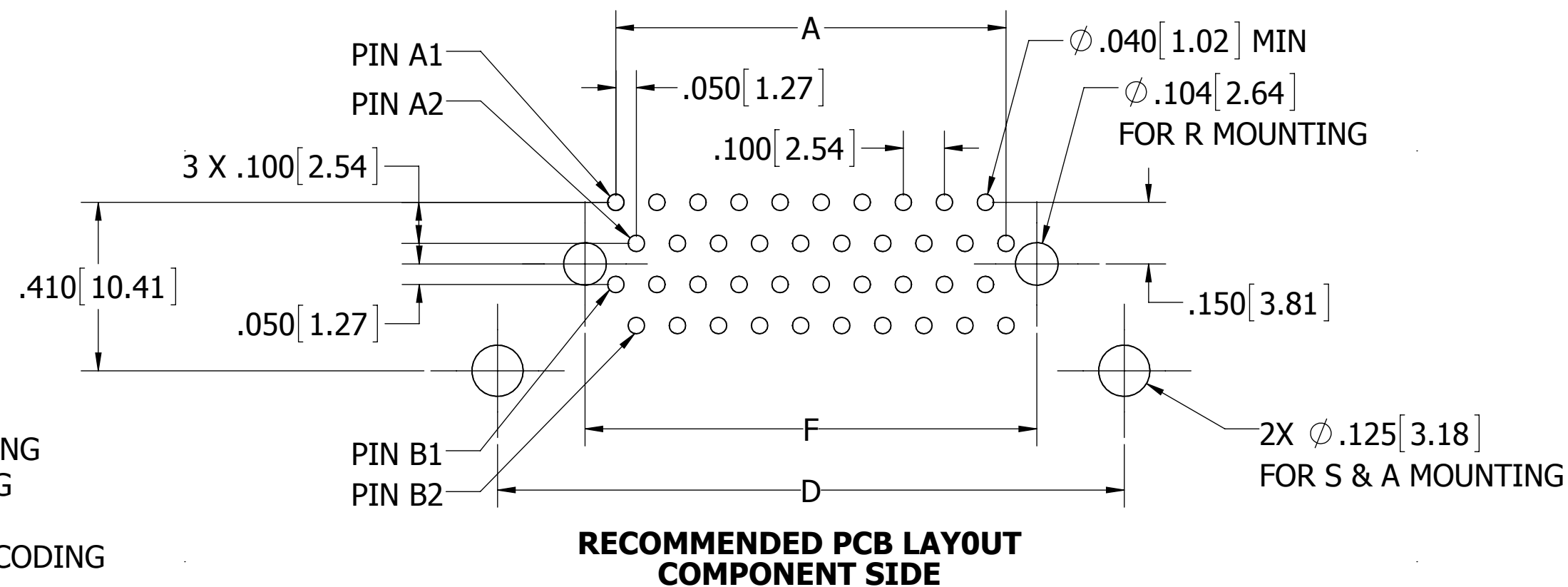
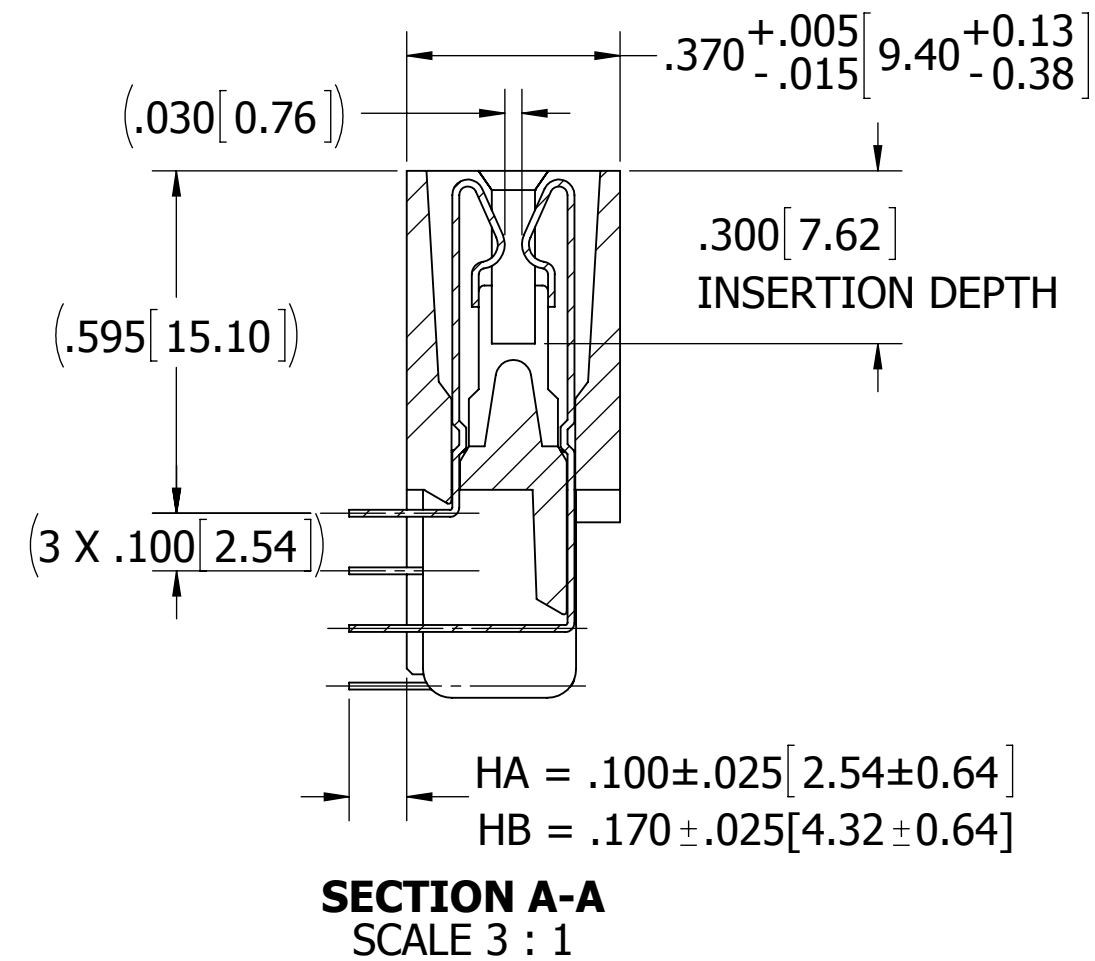
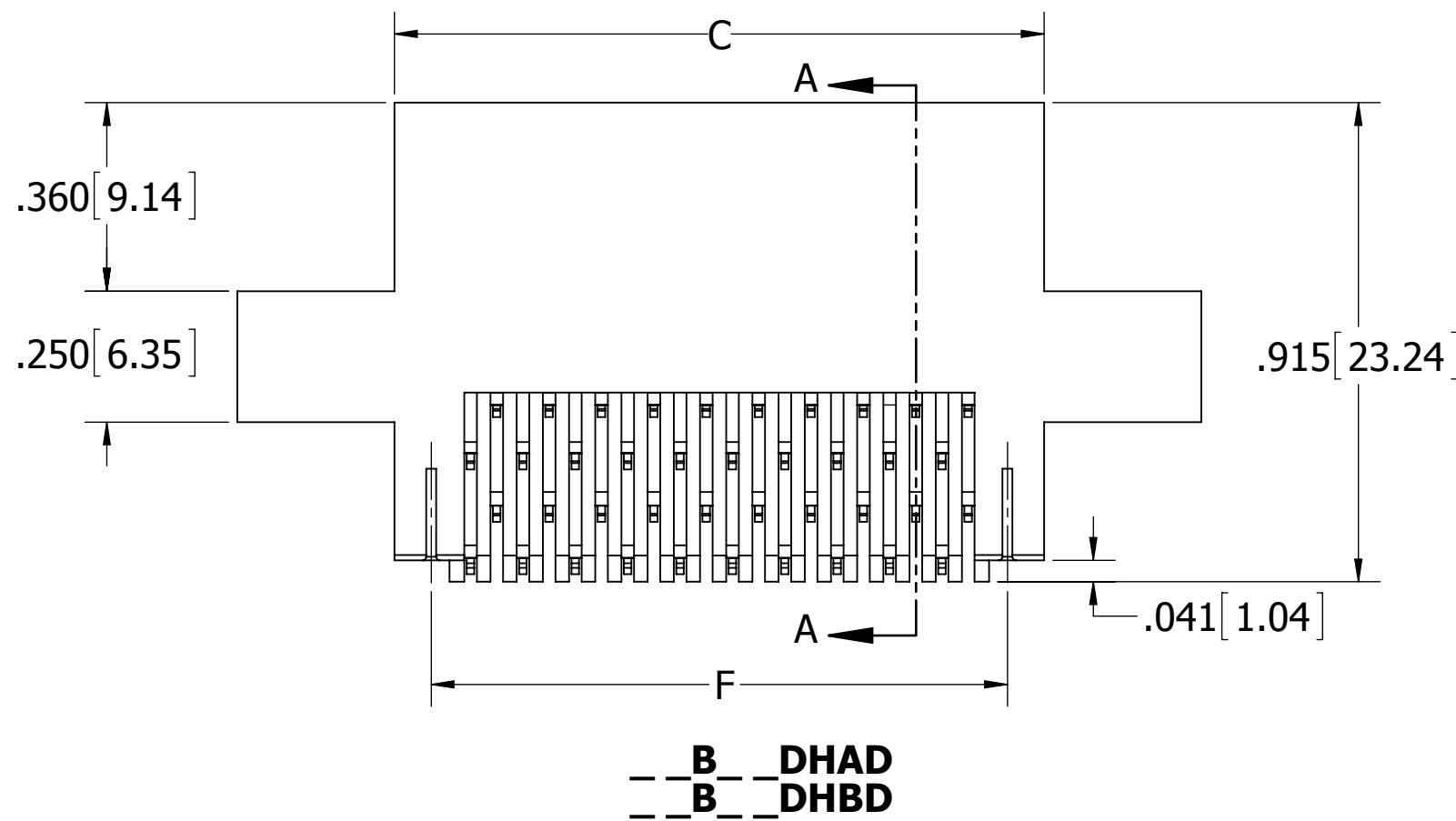
Email & Skype: info@chipsmall.com Web: www.chipsmall.com

Address: A1208, Overseas Decoration Building, #122 Zhenhua RD., Futian, Shenzhen, China





REVISIONS				
REV.	ECO. NO	DESCRIPTION	DATE	BY
E	1810	ADD HB TERMINATION, UPDATE LAYOUT	9/25/2008	ASK
F	2791	REMOVED 'E' & 'H' MTL OPTION, ADD CONTACT GAP DIM., UPDATED INSULATOR INNER WALL ON SECTION VIEW A-A & DWG FORMAT	1/28/14	JH
H	3406	ADD 'M' MATERIAL OPTION, REVISE NOTE 15 ON CUSTOMER DWG TO 1/2 OZ (was 1 OZ), UPDATE INSPECTION FORMAT ON PRODUCTION DWG, UPDATE PROCESSING TEMP FOR ALL MATERIALS, ADD PIN CALL OUT TO CUSTOMER DWG	3/22/2016	MG



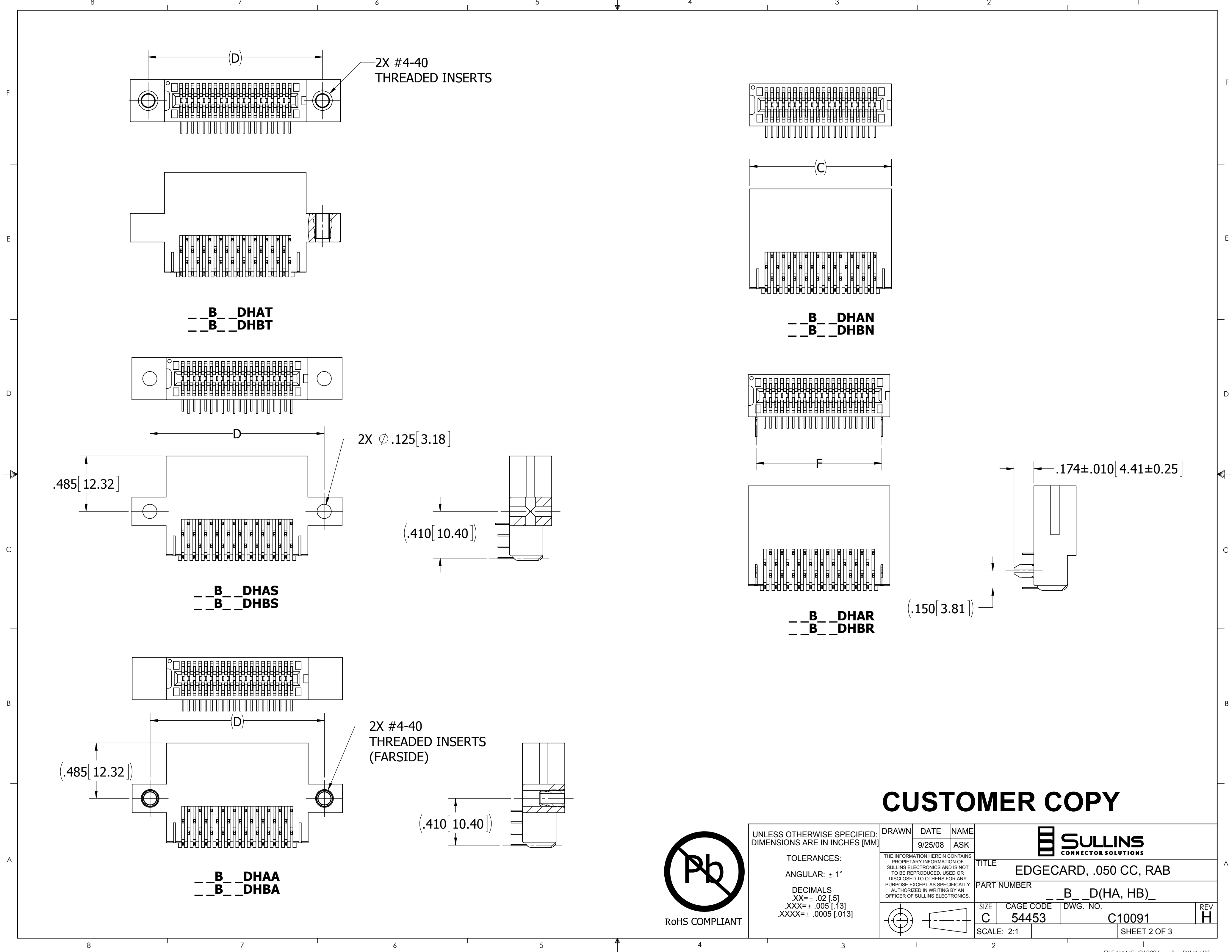
NOTES:

1. INSULATOR MATERIAL: SEE PART NUMBER CODING
2. CONTACT MATERIAL: SEE PART NUMBER CODING
3. PLATING: SEE PART NUMBER CODING
4. OPERATING TEMPERATURE: SEE PART NUMBER CODING
5. PROCESSING TEMP: SEE PART NUMBER CODING
6. UL FLAMMABILITY RATING: 94V-0
7. OPERATING VOLTAGE: 300 VAC
8. CURRENT RATING: 1 AMP
9. CONTACT RESISTANCE: 30 MILLI OHMS MAX
10. INSULATION RESISTANCE: 5000 MEGA OHMS
11. DURABILITY: 500 CYCLES MINIMUM
12. CONNECTOR IDENTIFICATION: THE PART SHALL BE MARKED WITH A PART NUMBER AND LOT CODE
13. BOARD THICKNESS ACCOMMODATED: .062 ± .008 [1.57 ± 0.20]
14. INSERTION FORCE: 6 OZ MAX PER CONTACT PAIR WHEN USING A .062 [1.57] TEST BLADE
15. WITHDRAWAL FORCE: 1/2 OZ MIN PER CONTACT PAIR USING .062 [1.57] TEST BLADE



CUSTOMER COPY

UNLESS OTHERWISE SPECIFIED: DIMENSIONS ARE IN INCHES [MM]		DRAWN	DATE	NAME	
			9/25/08	ASK	
TOLERANCES: ANGULAR: ± 1° DECIMALS .XX = ± .02 [.5] .XXX = ± .005 [1.3] .XXXX = ± .0005 [0.13]					<small>THE INFORMATION HEREIN CONTAINS PROPRIETARY INFORMATION OF SULLINS ELECTRONICS AND IS NOT TO BE REPRODUCED, USED OR DISCLOSED TO OTHERS FOR ANY PURPOSE EXCEPT AS SPECIFICALLY AUTHORIZED IN WRITING BY AN OFFICER OF SULLINS ELECTRONICS.</small>
					TITLE EDGECARD, .050 CC, RAB
					PART NUMBER _ _ B _ _ D (HA, HB) _
SIZE	CAGE CODE	DWG. NO.	REV		
C	54453	C10091	H		
SCALE: 3:1		SHEET 1 OF 3			

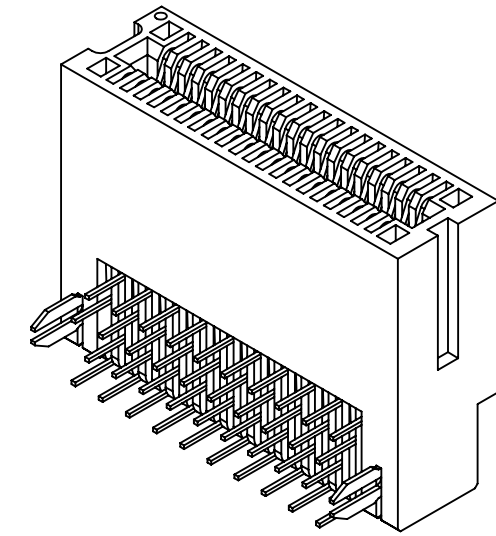


CUSTOMER COPY

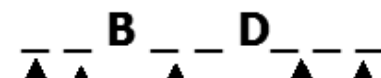


UNLESS OTHERWISE SPECIFIED: DIMENSIONS ARE IN INCHES [MM]		DRAWN	DATE	NAME	
TOLERANCES: ANGULAR: ± 1° DECIMALS .XX = ± .02 [.5] .XXX = ± .005 [.13] .XXXX = ± .0005 [.013]		9/25/08	ASK		
<small>THE INFORMATION HEREIN CONTAINS PROPRIETARY INFORMATION OF SULLINS ELECTRONICS AND IS NOT TO BE REPRODUCED, USED OR DISCLOSED TO OTHERS FOR ANY PURPOSE EXCEPT AS SPECIFICALLY AUTHORIZED IN WRITING BY AN OFFICER OF SULLINS ELECTRONICS.</small>					TITLE EDGECARD, .050 CC, RAB
PART NUMBER __B__D(HA, HB)_					REV H
SIZE	CAGE CODE	DWG. NO.			
C	54453	C10091			
SCALE: 2:1				SHEET 2 OF 3	

PART NUMBER	NO OF POSITIONS	A±.005[0.13]		B±.005[0.13]		C±.015[0.38]		D±.010[0.25]		E±.020[0.51]		F±.010[0.25]	
		IN	MM	IN	MM	IN	MM	IN	MM	IN	MM	IN	MM
__B05D__	5	0.200	5.08	0.300	7.62	0.490	12.45	0.776	19.71	1.090	27.69	0.350	8.89
__B06D__	6	0.250	6.35	0.350	8.89	0.540	13.72	0.826	20.98	1.140	28.96	0.400	10.16
__B09D__	9	0.400	10.16	0.500	12.70	0.690	17.53	0.976	24.79	1.290	32.77	0.550	13.97
__B10D__	10	0.450	11.43	0.550	13.97	0.740	18.80	1.026	26.06	1.340	34.04	0.600	15.24
__B13D__	13	0.600	15.24	0.700	17.78	0.890	22.61	1.176	29.87	1.490	37.85	0.750	19.05
__B14D__	14	0.650	16.51	0.750	19.05	0.940	23.88	1.226	31.14	1.540	39.12	0.800	20.32
__B15D__	15	0.700	17.78	0.800	20.32	0.990	25.15	1.276	32.41	1.590	40.39	0.850	21.59
__B20D__	20	0.950	24.13	1.050	26.67	1.240	31.50	1.526	38.76	1.840	46.74	1.100	27.94
__B22D__	22	1.050	26.67	1.150	29.21	1.340	34.04	1.626	41.30	1.940	49.28	1.200	30.48
__B25D__	25	1.200	30.48	1.300	33.02	1.490	37.85	1.776	45.11	2.090	53.09	1.350	34.29
__B30D__	30	1.450	36.83	1.550	39.37	1.740	44.20	2.026	51.46	2.340	59.44	1.600	40.64
__B34D__	34	1.650	41.91	1.750	44.45	1.940	49.28	2.226	56.54	2.540	64.52	1.800	45.72
__B35D__	35	1.700	43.18	1.800	45.72	1.990	50.55	2.276	57.81	2.590	65.79	1.850	46.99
__B40D__	40	1.950	49.53	2.050	52.07	2.240	56.90	2.526	64.16	2.840	72.14	2.100	53.34
__B45D__	45	2.200	55.88	2.300	58.42	2.490	63.25	2.776	70.51	3.090	78.49	2.350	59.69
__B50D__	50	2.450	62.23	2.550	64.77	2.740	69.60	3.026	76.86	3.340	84.84	2.600	66.04
__B55D__	55	2.700	68.58	2.800	71.12	2.990	75.95	3.276	83.21	3.590	91.19	2.850	72.39
__B60D__	60	2.950	74.93	3.050	77.47	3.240	82.30	3.526	89.56	3.840	97.54	3.100	78.74
__B64D__	64	3.150	80.01	3.250	82.55	3.440	87.38	3.726	94.64	4.040	102.62	3.300	83.82
__B65D__	65	3.200	81.28	3.300	83.82	3.490	88.65	3.776	95.91	4.090	103.89	3.350	85.09
__B66D__	66	3.250	82.55	3.350	85.09	3.540	89.92	3.826	97.18	4.140	105.16	3.400	86.36
__B70D__	70	3.450	87.63	3.550	90.17	3.740	95.00	4.026	102.26	4.340	110.24	3.600	91.44
__B75D__	75	3.700	93.98	3.800	96.52	3.990	101.35	4.276	108.61	4.590	116.59	3.850	97.79
__B80D__	80	3.950	100.33	4.050	102.87	4.240	107.70	4.526	114.96	4.840	122.94	4.100	104.14
__B85D__	85	4.200	106.68	4.300	109.22	4.490	114.05	4.776	121.31	5.090	129.29	4.350	110.49
__B90D__	90	4.450	113.03	4.550	115.57	4.740	120.40	5.026	127.66	5.340	135.64	4.600	116.84
__B95D__	95	4.700	119.38	4.800	121.92	4.990	126.75	5.276	134.01	5.590	141.99	4.850	123.19
__B100D__	100	4.950	125.73	5.050	128.27	5.240	133.10	5.526	140.36	5.840	148.34	5.100	129.54
__B105D__	105	5.200	132.08	5.300	134.62	5.490	139.45	5.776	146.71	6.090	154.69	5.350	135.89
__B108D__	108	5.350	135.89	5.450	138.43	5.640	143.26	5.926	150.52	6.240	158.50	5.500	139.70
__B110D__	110	5.450	138.43	5.550	140.97	5.740	145.80	6.026	153.06	6.340	161.04	5.600	142.24
__B120D__	120	5.950	151.13	6.050	153.67	6.240	158.50	'N' OR 'R' MOUNTING ONLY				6.100	154.94



PART NUMBER CODING



MATERIAL (INSULATOR/CONTACT)

- R = BLACK, PPS/PHOSPHOR BRONZE**
OPERATING TEMP: -65°C TO +125°C
PROCESSING TEMP: 260°C MAX FOR 20 SECS
- G = BLACK, PA9T/PHOSPHOR BRONZE**
OPERATING TEMP: -65°C TO +125°C
PROCESSING TEMP: 260°C MAX FOR 20 SECS
- A = BLACK, PPS/BERYLLIUM COPPER**
OPERATING TEMP: -65°C TO +150°C
PROCESSING TEMP: 260°C MAX FOR 20 SECS
- J = BLACK, PA9T/BERYLLIUM COPPER**
OPERATING TEMP: -65°C TO +150°C
PROCESSING TEMP: 260°C MAX FOR 20 SECS
- M = WHITE, PA9T/BERYLLIUM COPPER**
OPERATING TEMP: -65°C TO +150°C
PROCESSING TEMP: 260°C MAX FOR 20 SECS
(CONSULT FACTORY FOR OTHER MATERIALS)

MOUNTING STYLE

- D = .250" EARS, FLUSH MOUNTING
- N = NO MOUNTING EARS
- A = SIDE MOUNTING WITH #4-40 THREADED INSERTS
- R = NO MOUNTING EARS, WITH BOARD LOCKS
- S = SIDE MOUNTING
- T = .250" EARS, FLUSH MOUNTING WITH #4-40 THREADED INSERTS

TERMINATION TYPE

- HA = .100" [2.54 mm] STAGGERED DIP SOLDER, .050" CENTERS
- HB = .170" [4.32 mm] STAGGERED DIP SOLDER, .050" CENTERS

NUMBER OF POSITIONS

PLATING

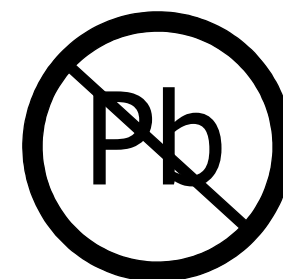
ALL PLATINGS ARE LEAD FREE AND HAVE .000050" NICKEL UNDERPLATE

CONTACT SURFACE

- B = .000010" GOLD
- C = .000030" GOLD

TERMINATION

- .000100" PURE TIN, MATTE
- .000100" PURE TIN, MATTE



RoHS COMPLIANT

CUSTOMER COPY

UNLESS OTHERWISE SPECIFIED: DIMENSIONS ARE IN INCHES [MM]	DRAWN	DATE	NAME	
		9/25/08	ASK	
TOLERANCES: ANGULAR: ± 1° DECIMALS .XX = ± .02 [.5] .XXX = ± .005 [.13] .XXXX = ± .0005 [.013]				<small>THE INFORMATION HEREIN CONTAINS PROPRIETARY INFORMATION OF SULLINS ELECTRONICS AND IS NOT TO BE REPRODUCED, USED OR DISCLOSED TO OTHERS FOR ANY PURPOSE EXCEPT AS SPECIFICALLY AUTHORIZED IN WRITING BY AN OFFICER OF SULLINS ELECTRONICS.</small>
TITLE				EDGE CARD, .050 CC, RAB
PART NUMBER				__B__D(HA, HB)_
SIZE	CAGE CODE	DWG. NO.	REV	
C	54453	C10091	H	
SCALE: 4:1				SHEET 3 OF 3