



Chipsmall Limited consists of a professional team with an average of over 10 year of expertise in the distribution of electronic components. Based in Hongkong, we have already established firm and mutual-benefit business relationships with customers from,Europe,America and south Asia,supplying obsolete and hard-to-find components to meet their specific needs.

With the principle of “Quality Parts,Customers Priority,Honest Operation,and Considerate Service”,our business mainly focus on the distribution of electronic components. Line cards we deal with include Microchip,ALPS,ROHM,Xilinx,Pulse,ON,Everlight and Freescale. Main products comprise IC,Modules,Potentiometer,IC Socket,Relay,Connector.Our parts cover such applications as commercial,industrial, and automotives areas.

We are looking forward to setting up business relationship with you and hope to provide you with the best service and solution. Let us make a better world for our industry!



## Contact us

Tel: +86-755-8981 8866 Fax: +86-755-8427 6832

Email & Skype: info@chipsmall.com Web: www.chipsmall.com

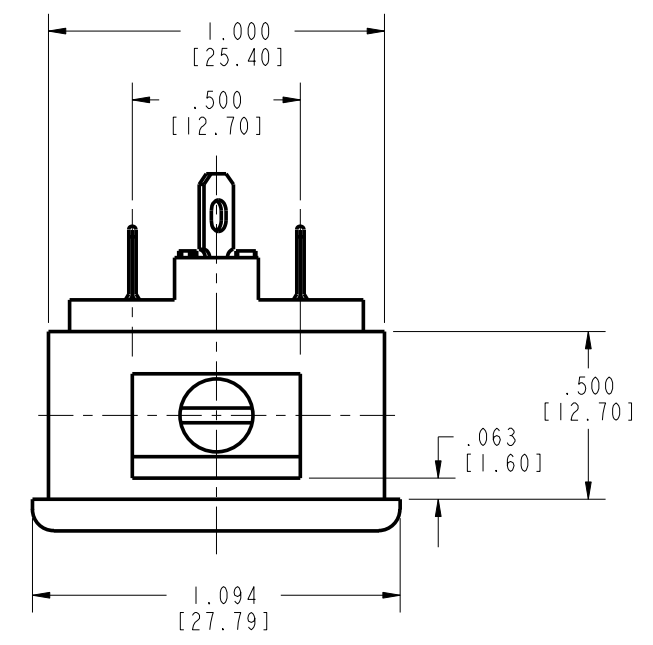
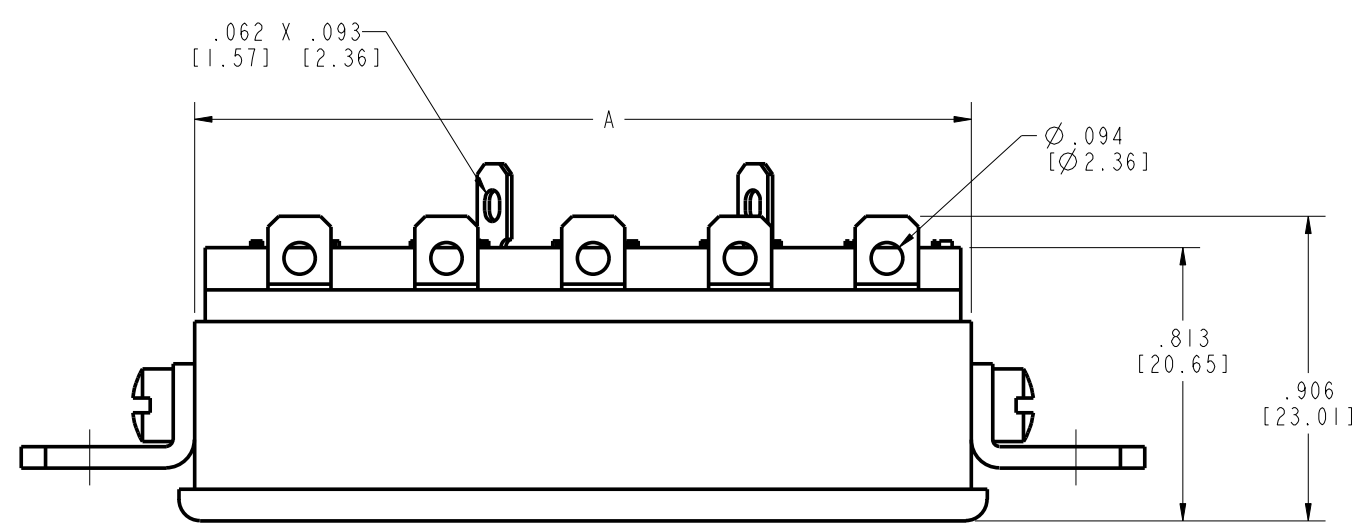
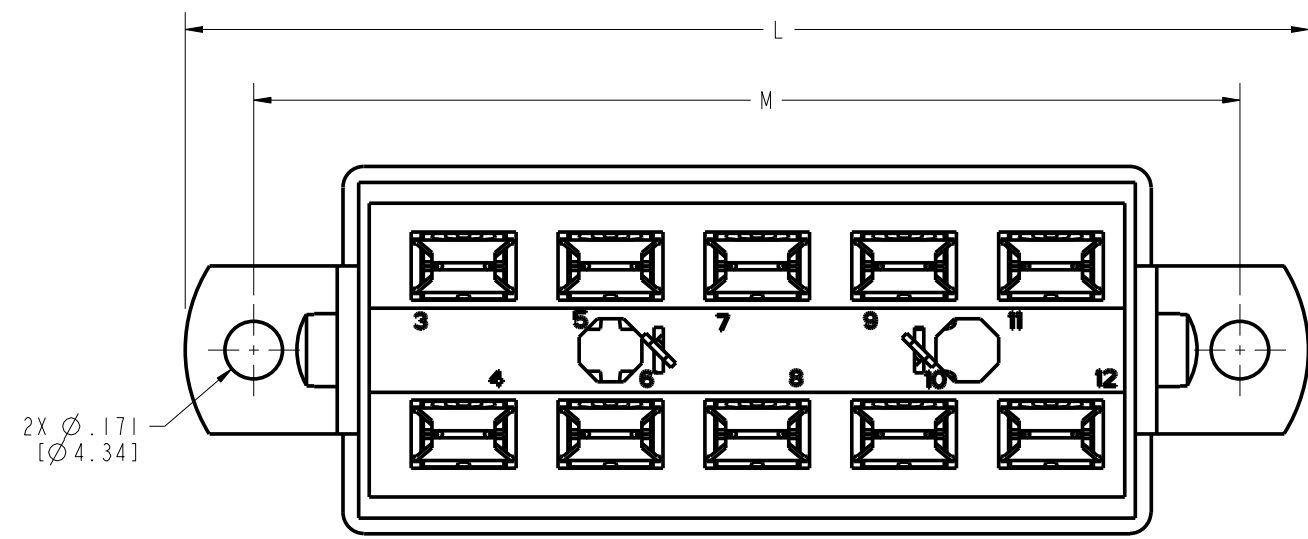
Address: A1208, Overseas Decoration Building, #122 Zhenhua RD., Futian, Shenzhen, China



**DRAWING REVISIONS**

REV	DOCUMENT	APP	DATE
1	DO 06-1068		

PART NUMBER	SIZE	L	M	A	FACTORY NUMBER
S-2404H-AB	4	2.031 [51.59]	1.625 [41.28]	1.000 [25.40]	703 04 04 001
S-2406H-AB	6	2.469 [62.71]	2.063 [52.40]	1.438 [36.53]	703 04 06 001
S-2408H-AB	8	2.906 [73.81]	2.500 [63.50]	1.875 [47.63]	703 04 08 001
S-2410H-AB	10	3.344 [84.94]	2.938 [74.63]	2.313 [58.75]	703 04 10 001
S-2412H-AB	12	3.781 [96.04]	3.375 [85.73]	2.750 [69.85]	703 04 12 001



NOTES:  
 1. SPECIFICATIONS:  
 ELECTRICAL:  
 OPERATING VOLTAGE: 250 VAC RMS  
 CURRENT RATING: 15 AMPS  
 CURRENT RESISTANCE: 1.0 MILLIOHMS MAXIMUM

INSULATOR: MOLDED MONBLOCK, GENERAL PURPOSE PHENOLIC, BLACK

CONTACT: PHOSPHOR BRONZE, MATTE TIN

BRACKET, SCREW: STEEL, ZINC WITH CLEAR TRVALENT CHROME

ENVIRONMENTAL:  
 OPERATING TEMPERATURE: UP TO +105°C

TERMINATION: SOLDER

2. DIMENSIONS IN [ ] ARE MILLIMETERS

3. ALL DIMENSIONS ARE REFERENCE

**RoHS COMPLIANT**

MODELED BY:  
JIMENEZ

UNITS <b>ENGLISH INCHES</b>	PRO/E	<b>Cinch</b>		1700 FINLEY RD LOMBARD, IL. 60148
DO NOT SCALE DRAWING	DESIGNED BY JIMENEZ	DATE 7/31/06	TITLE SOCKET AND ANGLE BRACKET ASSEMBLY	
UNLESS OTHERWISE SPECIFIED: ALL DIMENSIONS ARE IN INCHES FILLET/RADIUS .02 MAX	DESIGN ENGINEER A. BALI	7/31/06	CONTROL SPEC NUMBER 06-1068	
	DESIGN ENGINEERING MGR.		MATERIAL SPEC NUMBER	PROJECT NUMBER C14789-2
TOLERANCES ±.1 ±.01 .XXX ± .005 ANGULAR ± .5	MFG. ENGINEERING		CAD FILE NUMBER S2404HAB	DRAWING NUMBER <b>S-2404H-AB</b>
	QUALITY ASSURANCE		CAGE IDENT NO. SIZE <b>71785 B</b>	SCALE 1.000 SHEET 1 OF 1