



Chipsmall Limited consists of a professional team with an average of over 10 year of expertise in the distribution of electronic components. Based in Hongkong, we have already established firm and mutual-benefit business relationships with customers from,Europe,America and south Asia,supplying obsolete and hard-to-find components to meet their specific needs.

With the principle of “Quality Parts,Customers Priority,Honest Operation,and Considerate Service”,our business mainly focus on the distribution of electronic components. Line cards we deal with include Microchip,ALPS,ROHM,Xilinx,Pulse,ON,Everlight and Freescale. Main products comprise IC,Modules,Potentiometer,IC Socket,Relay,Connector.Our parts cover such applications as commercial,industrial, and automotives areas.

We are looking forward to setting up business relationship with you and hope to provide you with the best service and solution. Let us make a better world for our industry!



Contact us

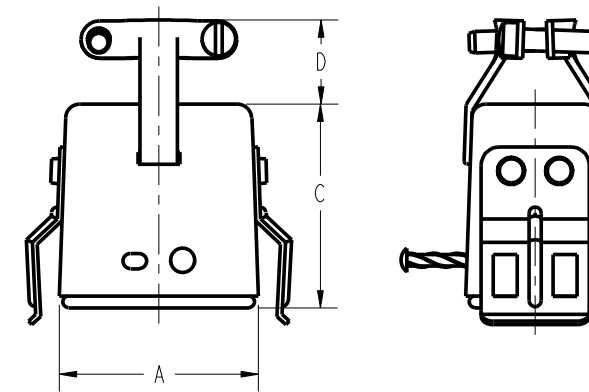
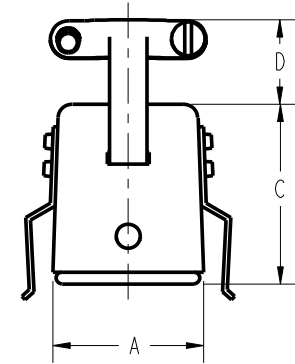
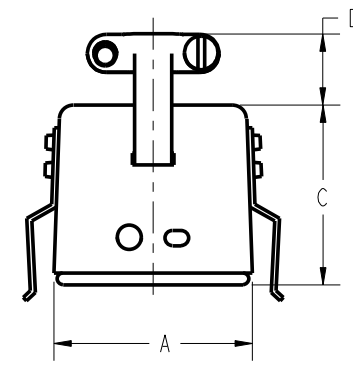
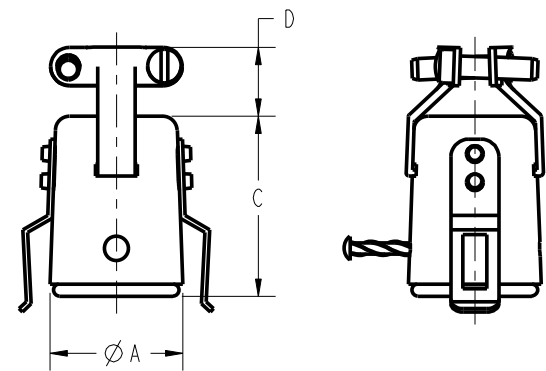
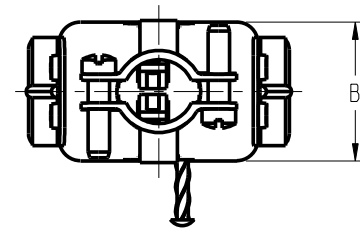
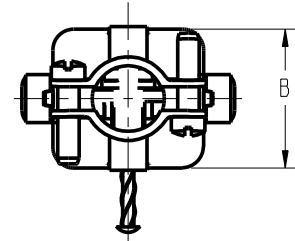
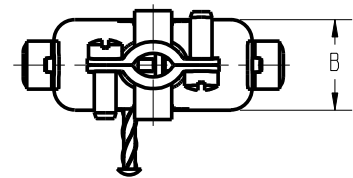
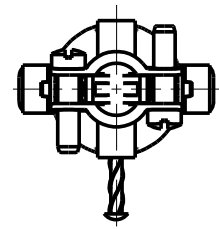
Tel: +86-755-8981 8866 Fax: +86-755-8427 6832

Email & Skype: info@chipsmall.com Web: www.chipsmall.com

Address: A1208, Overseas Decoration Building, #122 Zhenhua RD., Futian, Shenzhen, China



DRAWING REVISIONS			
REV	DOCUMENT	APP	DATE
1	DO 06-1067		



TYPE 1

TYPE 2

TYPE 3

TYPE 4

PART NUMBER	TYPE	A REF	B REF	C REF	D REF	CABLE OPENING REF	FACTORY NUMBER
S-302H-CCT-K	1	ϕ .691 [17.55]	-	.953 [24.21]	.359 [9.12]	.375 [9.53]	703 02 02 004
S-303H-CCT-K	2	1.034 [26.26]	.472 [11.99]	.953 [24.21]	.359 [9.12]	.313 [7.95]	703 02 03 004
S-304H-CCT-K	3	.786 [19.96]	.724 [18.39]	.953 [24.21]	.468 [11.89]	.375 [9.53]	703 02 04 004
S-306H-CCT-K	4	1.036 [26.31]	.724 [18.39]	1.078 [27.38]	.484 [12.29]	.438 [11.13]	703 02 06 004

NOTES:

1. SPECIFICATIONS:

ELECTRICAL:
 OPERATING VOLTAGE: 250 VAC RMS
 CURRENT RATING: 10 AMPS
 CONTACT RESISTANCE: 16 MILLIOHMS MAX

INSULATOR, CAP, RIVET: GENERAL PURPOSE PHENOLIC, BLACK

CONTACT: BRASS, MATTE TIN

BRACKET, SCREW, DRIVE PIN: STEEL, ZINC WITH CLEAR TRIVALENT CHROMATE

ENVIRONMENTAL:
 OPERATING TEMPERATURE: UP TO +105°C

TERMINATION: SOLDER

2. DIMENSIONS IN [] ARE IN MILLIMETERS

3. ALL DIMENSIONS ARE REFERENCE

RoHS COMPLIANT

UNITS ENGLISH INCHES		PRO/E		Cinch		MODELED BY: JIMENEZ	
DO NOT SCALE DRAWING		DRAWN BY JIMENEZ	DATE 6/20/06	TITLE SOCKET ASSEMBLY CABLE CLAMP TOP W/KEEPER			
UNLESS OTHERWISE SPECIFIED: ALL DIMENSIONS ARE IN INCHES		DESIGN ENGINEER A. BALI	6/20/06	MATERIAL		CONTROL SPEC NUMBER 06-1067	
FILLET/RADII .02 MAX		DESIGN ENGINEERING MGR.		MATERIAL SPEC NUMBER	FINISH	PROJECT NUMBER C14789-1	
TOLERANCES XXX ± .01 .XXX ± .005 ANGULAR ± .1°		MFG. ENGINEERING		CAD FILE NUMBER S302HCCTK	DRAWING NUMBER S-302H-CCT-K		
THIS DOCUMENT IS THE PROPERTY OF CINCH. NEITHER THIS DOCUMENT NOR ANY OF THE INFORMATION CONTAINED IN IT MAY BE DUPLICATED OR DISCLOSED WITHOUT PRIOR WRITTEN CONSENT OF CINCH.		QUALITY ASSURANCE		CAGE IDENT NO. SIZE 71785 B	SCALE 1:1	SHEET 1 OF 1	