



Chipsmall Limited consists of a professional team with an average of over 10 year of expertise in the distribution of electronic components. Based in Hongkong, we have already established firm and mutual-benefit business relationships with customers from,Europe,America and south Asia,supplying obsolete and hard-to-find components to meet their specific needs.

With the principle of “Quality Parts,Customers Priority,Honest Operation,and Considerate Service”,our business mainly focus on the distribution of electronic components. Line cards we deal with include Microchip,ALPS,ROHM,Xilinx,Pulse,ON,Everlight and Freescale. Main products comprise IC,Modules,Potentiometer,IC Socket,Relay,Connector.Our parts cover such applications as commercial,industrial, and automotives areas.

We are looking forward to setting up business relationship with you and hope to provide you with the best service and solution. Let us make a better world for our industry!



Contact us

Tel: +86-755-8981 8866 Fax: +86-755-8427 6832

Email & Skype: info@chipsmall.com Web: www.chipsmall.com

Address: A1208, Overseas Decoration Building, #122 Zhenhua RD., Futian, Shenzhen, China



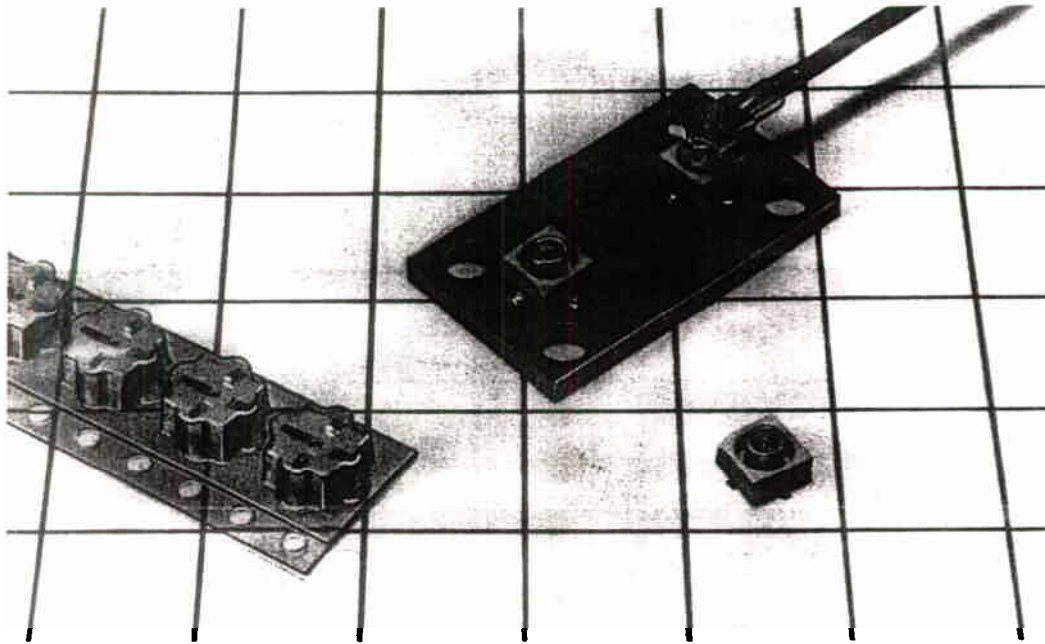


S.FL2 SERIES SUPER FL TYPE 2 COAXIAL CONNECTOR

■ OUTLINE

S.FL2 (Super FL Type 2 Coaxial Connector) Series is a Surface Mount, Low Profile, Miniature Coaxial Connector intended for high density packaging. Compared to HIROSE's FL series connectors, the S.FL2

Series offers a 50% reduced profile when assembled, achieving increased density of internal wiring for high frequency transmission applications.



■ LEADING FEATURES

- (1) Surface mounting type.
- (2) Low profile, up to 4.7mm from the printed circuit board surface when assembled.
- (3) Highly flexible
Offers high frequency performance below V.S.W.R 1.2 over 0-2000MHz range.
- (4) Cable to be used:
 - JUNFRON Coaxial Cable A12B0456-A (JUN-KO SHA make)
 - 0.7D-2W
- (5) Extraction jig permits easy extraction of connector.
- (6) Designed for application for automatic packaging. Embossment taping type is added to standard items.

■ APPLICATIONS

Pocket telephone, Car telephone, radio communications equipment, electronic measuring instruments, GPS, etc.

■ MATERIAL AND FINISH

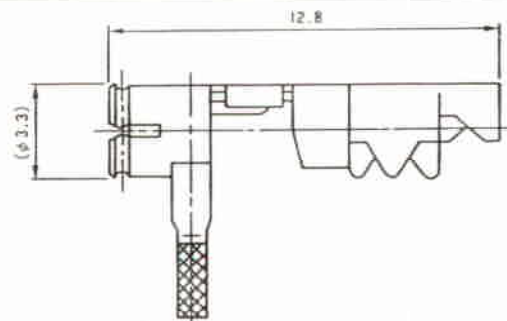
Parts Name	Material	Finish
Shell	Phosphor bronze	Silver plating
Male center contact	Phosphor bronze	Gold plating
Female center contact	Phosphor bronze	Gold plating
Insulator	Polyphenylene oxide and polyphenylene sulfide	

■ PERFORMANCE

Item	Standard
Characteristic impedance	50 Ω
Insulation resistance	500MΩ and above at DC250V
Contact resistance	20mΩ and under for the center, 10mΩ and under for outer contact at DC10A
Withstand voltage	1 min at AC250V (r.m.s.)
Mating force (Extraction force)	300gf~2kgf
Life of contact	50 times
Standing wave voltage ratio	1.2 and under up to 2000MHz DC

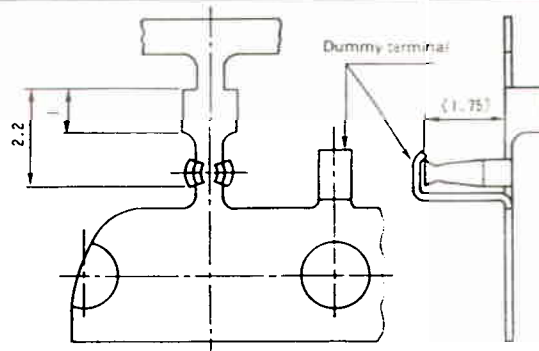
■ DIMENSIONS

HRS No.	Part Number	Applicable Cable
331-0201-5	S.FL2-LP-A12B0456-A	A12B0456-A



(Note) Offered by unit package (100 pieces)

HRS No.	Part Number
331-0202-8	S.FL2-LP Female terminal



(Note) Offered by unit reel (10000 pieces)

