



Chipsmall Limited consists of a professional team with an average of over 10 year of expertise in the distribution of electronic components. Based in Hongkong, we have already established firm and mutual-benefit business relationships with customers from,Europe,America and south Asia,supplying obsolete and hard-to-find components to meet their specific needs.

With the principle of "Quality Parts,Customers Priority,Honest Operation,and Considerate Service",our business mainly focus on the distribution of electronic components. Line cards we deal with include Microchip,ALPS,ROHM,Xilinx,Pulse,ON,Everlight and Freescale. Main products comprise IC,Modules,Potentiometer,IC Socket,Relay,Connector.Our parts cover such applications as commercial,industrial, and automotives areas.

We are looking forward to setting up business relationship with you and hope to provide you with the best service and solution. Let us make a better world for our industry!



Contact us

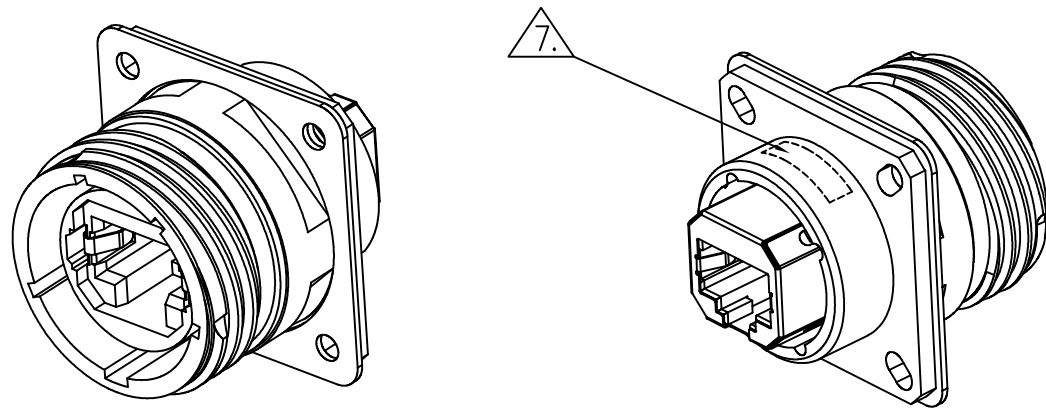
Tel: +86-755-8981 8866 Fax: +86-755-8427 6832

Email & Skype: info@chipsmall.com Web: www.chipsmall.com

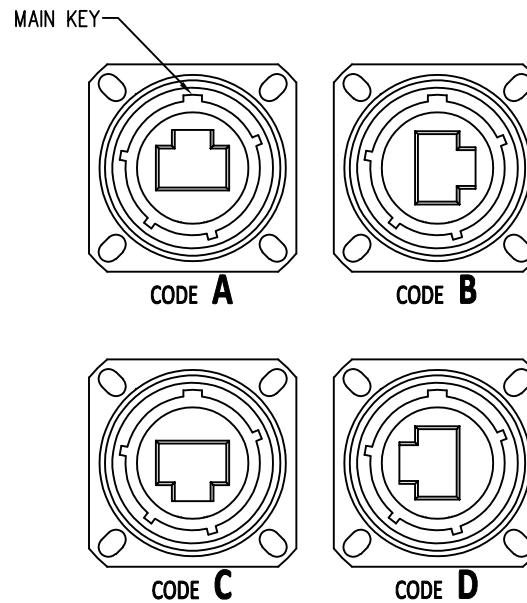
Address: A1208, Overseas Decoration Building, #122 Zhenhua RD., Futian, Shenzhen, China



SQUARE FLANGE RECEPTACLE CONNECTOR



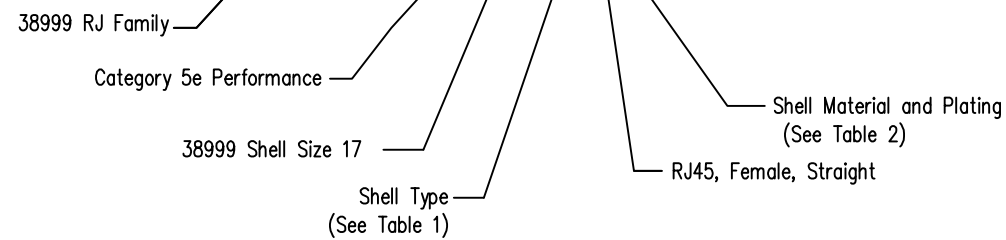
RECEPTACLE CONNECTOR
AS RECEIVED
(ISOMETRIC VIEWS)



POLARIZATION CODES
USE REMOVAL TOOL P/N 2940262-01
IF RECODING IS NECESSARY

Part Number Key

S-RJFTV5E17021G



NOTES:

- CONNECTOR MATERIALS:
HOUSING: THERMOPLASTIC UL94 V-0
CONTACTS/SHIELD: COPPER ALLOY
CONTACT PLATING: 50 MICRO-INCHES [1.27um] SELECTIVE GOLD OR EQUIVALENT
SHELL MATERIAL AND PLATING: SEE CHART FOR PART NUMBER
GASKET: SILICONE
- DESIGNED FOR CATEGORY 5e PERFORMANCE
FOR RJ45 PRODUCT SPECIFICATIONS SEE PR040-01.
- RJ45 INTERFACE DIMENSIONS AND TOLERANCES
COMPLY WITH TIA-1096 STANDARD.
- CIRCULAR SHELL COMPLIES WITH MIL-DTL-38999.
- STANDARD PRODUCT IS SUPPLIED ASSEMBLED TO POLARIZATION CODE A
- CONNECTOR ASSEMBLY IS SUPPLIED WITHOUT CORDSET IF LENGTH DESIGNATOR IS BLANK.
- CIRCULAR CONNECTOR IS MARKED WITH DATE CODE IN THIS AREA.
- CIRCULAR CONNECTOR IS SUPPLIED WITH DUST CAPS.

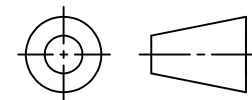
TABLE 1 - SHELL TYPE

Part Number	Description
02	Receptacle, Square flange
02BS	Receptacle, Square flange, IP68 Backshell, Plastic gland
02BSM	Receptacle, Square flange, IP68 Backshell, Metal gland

TABLE 2 - SHELL MATERIAL AND PLATING

Part Number	Description
G	Aluminum shell, Olive drab plating
N	Aluminum shell, Nickel plating (RoHS)
SS	Stainless steel, Passivated (RoHS)
BZ	Marine bronze (RoHS)

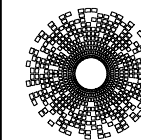
THIRD ANGLE PROJECTION



DO NOT SCALE DRAWING
DRAWING IS SUBJECT TO
CHANGE WITHOUT NOTICE

DIMENSIONS: INCHES [METRIC]
UNLESS OTHERWISE SPECIFIED
TOLERANCES ARE ±.005 [0.13]
ANGLES ARE ± 1°

SHEET NO. 1 OF 3



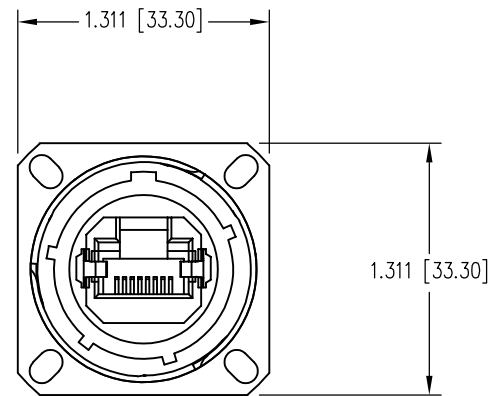
stewart
CONNECTOR
a bel group

1118 Susquehanna Trail South
Glen Rock, PA 17327-9199
(717) 235-7512
<http://www.stewartconnector.com>

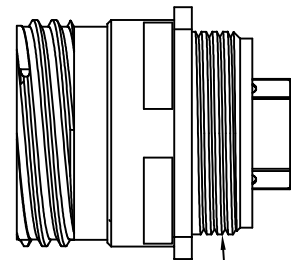
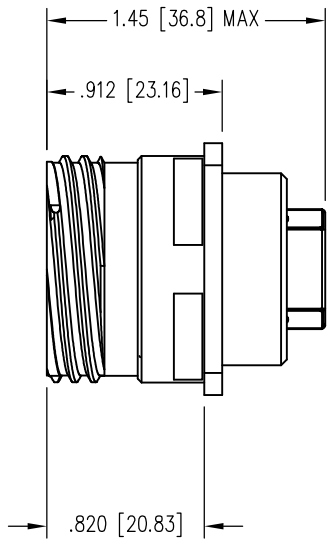
TITLE: IP68 RECEPTACLE WITH RJ45 INSERT
SIZE 17 38999 SQUARE FLANGE SHELL

THIS DRAWING AND THE SUBJECT MATTER SHOWN THEREON
ARE CONFIDENTIAL AND THE PROPRIETARY PROPERTY OF
STEWART CONNECTOR AND SHALL NOT BE REPRODUCED,
COPIED, OR USED IN ANY MANNER WITHOUT PRIOR WRITTEN
CONSENT OF STEWART CONNECTOR. ONE OR MORE U.S. PATENTS
MAY APPLY TO THIS PRODUCT. FOR DETAILS, PLEASE
VISIT: [HTTP://BELFUSE.COM/STEWART/STEWART_PATENTS/](http://BELFUSE.COM/STEWART/STEWART_PATENTS/)

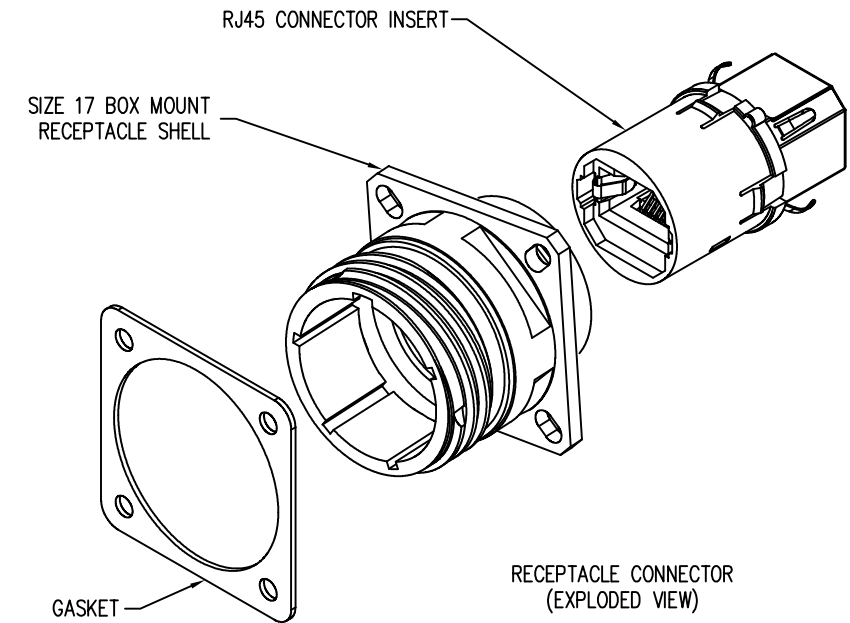
DRN BY:	DHG	DATE	11-15-16
APPD BY:	ADB	DATE	12-2-16
DWG NO.	CT600171	REV.	B0



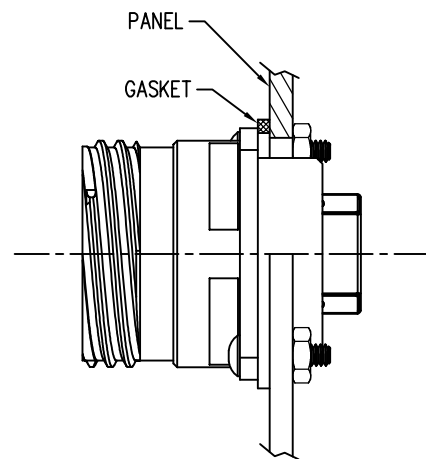
ASSEMBLED DIMENSIONS
(POLARIZATION CODE A SHOWN)



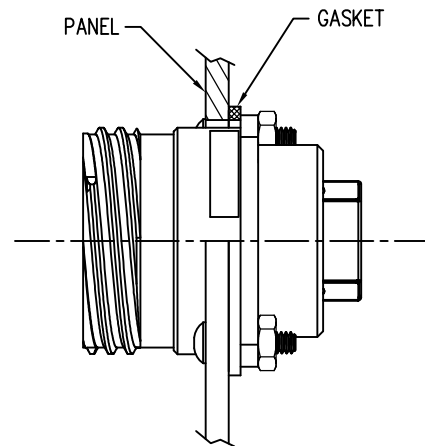
THREADED REAR RECEPTACLE
IS SUPPLIED WHEN ORDERED
WITH BACK SHELL



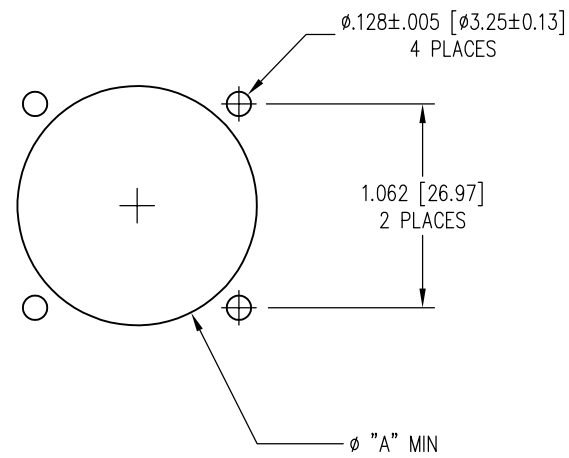
RECEPTACLE CONNECTOR
(EXPLODED VIEW)



FRONT PANEL
MOUNTING



REAR PANEL
MOUNTING



PANEL CUTOUT
.125 [3.2] MAX PANEL THICKNESS

TABLE 3 - PANEL CUTOUT	
Panel Mounting Side	"A" Diameter Inches [mm]
Front	1.016 [25.81]
Rear	1.219 [30.96]
If Back Shell is Used When Front Mounting, "A" = 1.219 [30.96]	

THIRD ANGLE PROJECTION		1118 Susquehanna Trail South Glen Rock, PA 17327-9199 (717) 235-7512 http://www.stewartconnector.com	
DO NOT SCALE DRAWING DRAWING IS SUBJECT TO CHANGE WITHOUT NOTICE		TITLE: IP68 RECEPTACLE WITH RJ45 INSERT SIZE 17 38999 SQUARE FLANGE SHELL	
DIMENSIONS: INCHES [METRIC]	THIS DRAWING AND THE SUBJECT MATTER SHOWN THEREON ARE CONFIDENTIAL AND THE PROPRIETARY PROPERTY OF STEWART CONNECTOR AND SHALL NOT BE REPRODUCED, COPIED, OR USED IN ANY MANNER WITHOUT PRIOR WRITTEN CONSENT OF STEWART CONNECTOR. ONE OR MORE U.S. PATENTS MAY APPLY TO THIS PRODUCT. FOR DETAILS, PLEASE VISIT: HTTP://BELFUSE.COM/STEWART/STEWART_PATENTS/	DRN BY: DHG	DATE: 11-15-16
UNLESS OTHERWISE SPECIFIED TOLERANCES ARE ±.005 [0.13] ANGLES ARE ± 1°		APPD BY: ADB	DATE: 12-2-16
SHEET NO. 2 OF 3		DWG NO. CT600171	REV. B0

SQUARE FLANGE RECEPTACLE CONNECTOR WITH BACK SHELL, SEALING GLAND, AND CORDSET

Part Number	Standard Length (Meters) [Inches]
03	0.3 [11.8]
05	0.5 [19.7]
10	1.0 [39.4]
15	1.5 [59.1]

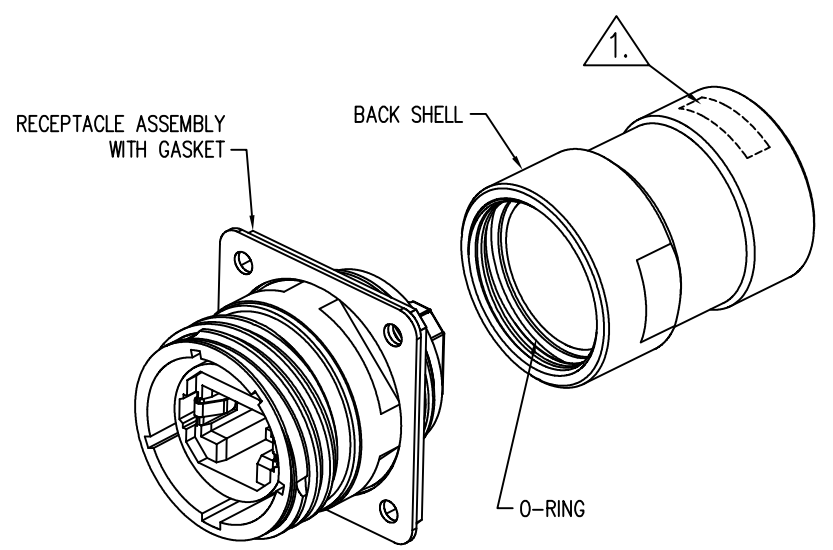
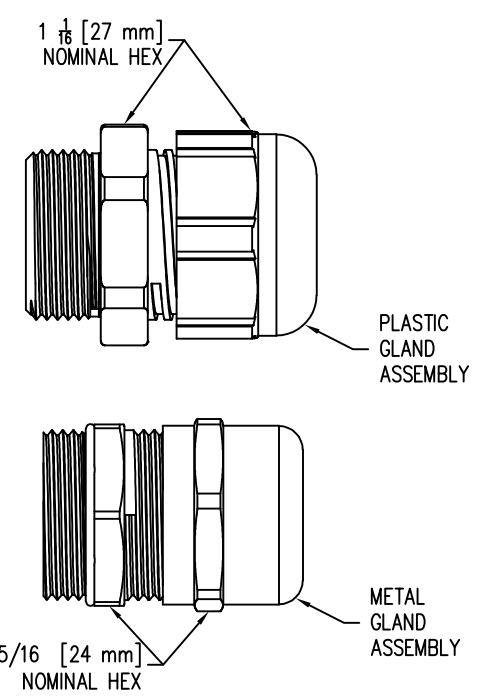
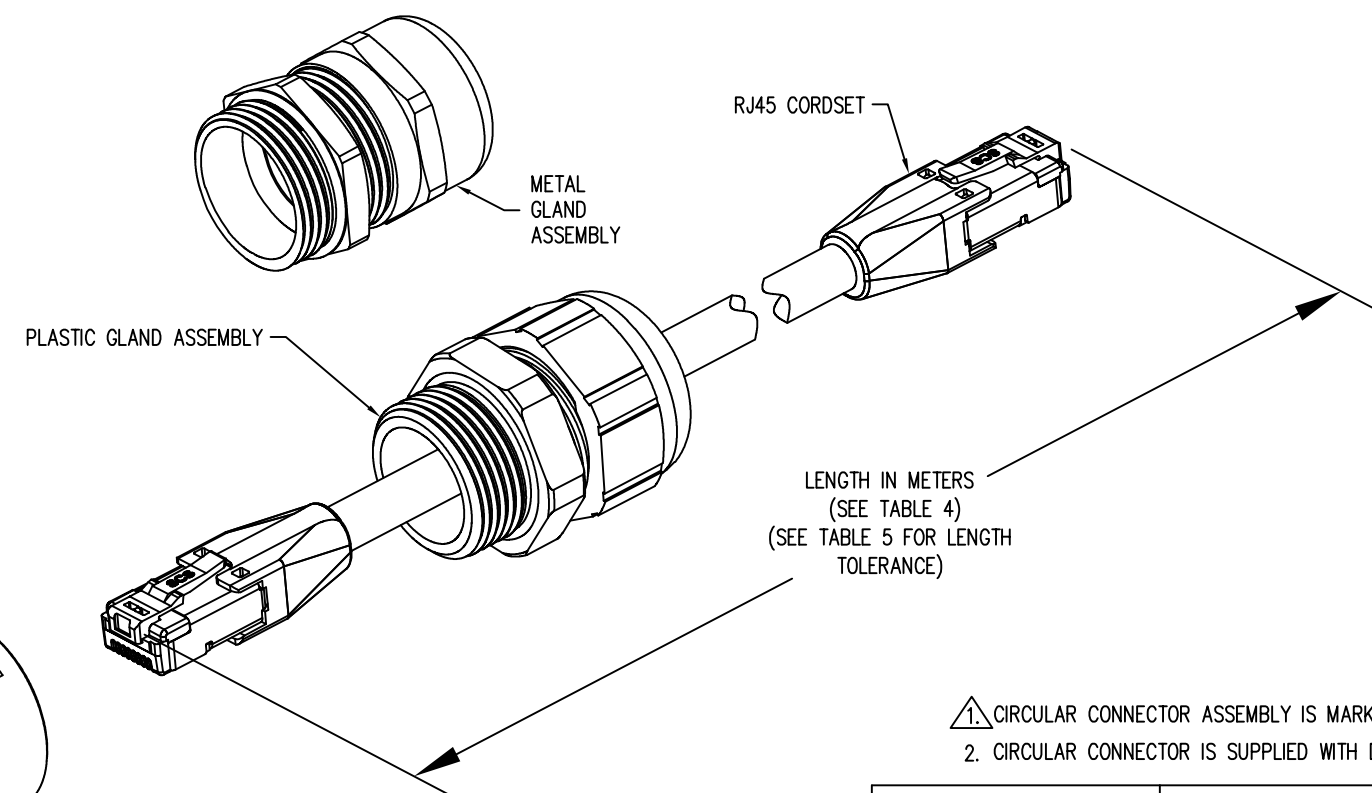
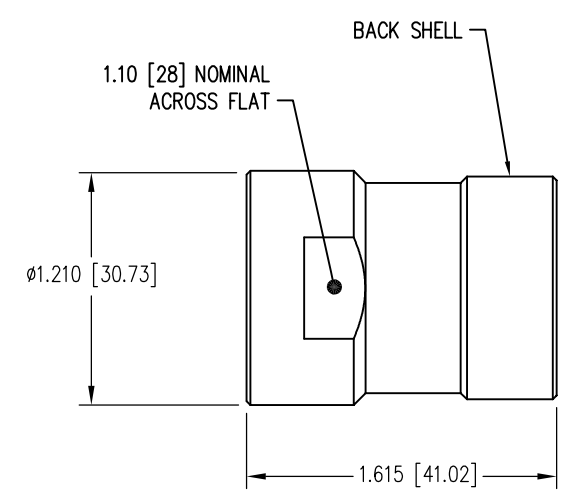
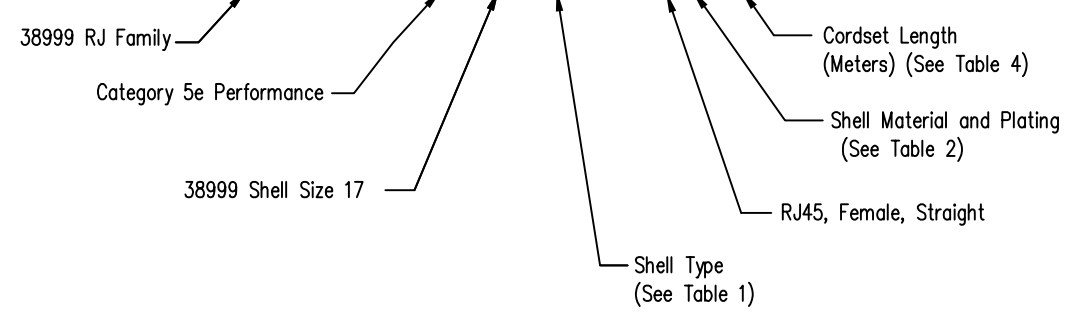
For Lengths Not Shown Follow Part Number Key Format. Supplied Without Cordset if Designator is Blank

Cordset Length = Meters [inches]	Tolerance = MM [inches]
0.5 [19.7] TO 2.5 [98.4]	+100 [3.90] / -0 [0.00]
3.0 [118] TO 10 [394]	+150 [5.91] / -0 [0.00]

- NOTES:
- SEALING GLAND RECOMMENDED TORQUE VALUES:
 PLASTIC GLAND:
 GLAND TO SHELL = 53 In-Lbs [6 Nm]
 GLAND TO CABLE = 29.2 In-Lbs [3.3 Nm]
 METAL GLAND:
 GLAND TO SHELL = 66.4 In-Lbs [7.5 Nm]
 GLAND TO CABLE = 66.4 In-Lbs [7.5 Nm]
 - BACK SHELL TO RECEPTACLE RECOMMENDED TORQUE:
 40 TO 50 INCH-POUNDS [4.5 TO 5.6 NEWTON-METERS]

Part Number Key

S-RJFTV5E1702BS1G03



RECEPTACLE CONNECTOR WITH BACK SHELL, GLAND AND CORDSET AS RECEIVED (EXPLODED VIEW)

- CIRCULAR CONNECTOR ASSEMBLY IS MARKED WITH DATE CODE IN THIS AREA.
- CIRCULAR CONNECTOR IS SUPPLIED WITH DUST CAPS.

THIRD ANGLE PROJECTION		1118 Susquehanna Trail South Glen Rock, PA 17327-9199 (717) 235-7512 http://www.stewartconnector.com	
DO NOT SCALE DRAWING DRAWING IS SUBJECT TO CHANGE WITHOUT NOTICE		TITLE: IP68 RECEPTACLE WITH RJ45 INSERT SIZE 17 38999 SQUARE FLANGE SHELL	
DIMENSIONS: INCHES [METRIC]	THIS DRAWING AND THE SUBJECT MATTER SHOWN THEREON ARE CONFIDENTIAL AND THE PROPRIETARY PROPERTY OF STEWART CONNECTOR AND SHALL NOT BE REPRODUCED, COPIED, OR USED IN ANY MANNER WITHOUT PRIOR WRITTEN CONSENT OF STEWART CONNECTOR. ONE OR MORE U.S. PATENTS MAY APPLY TO THIS PRODUCT. FOR DETAILS, PLEASE VISIT: HTTP://BELFUSE.COM/STEWART/STEWART_PATENTS/	DRN BY: DHG	DATE: 11-15-16
UNLESS OTHERWISE SPECIFIED TOLERANCES ARE ±.005 [0.13] ANGLES ARE ± 1°		APPD BY: ADB	DATE: 12-2-16
SHEET NO. 3 OF 3		DWG NO. CT600171	REV. B0