



Chipsmall Limited consists of a professional team with an average of over 10 year of expertise in the distribution of electronic components. Based in Hongkong, we have already established firm and mutual-benefit business relationships with customers from,Europe,America and south Asia,supplying obsolete and hard-to-find components to meet their specific needs.

With the principle of “Quality Parts,Customers Priority,Honest Operation,and Considerate Service”,our business mainly focus on the distribution of electronic components. Line cards we deal with include Microchip,ALPS,ROHM,Xilinx,Pulse,ON,Everlight and Freescale. Main products comprise IC,Modules,Potentiometer,IC Socket,Relay,Connector.Our parts cover such applications as commercial,industrial, and automotives areas.

We are looking forward to setting up business relationship with you and hope to provide you with the best service and solution. Let us make a better world for our industry!



## Contact us

Tel: +86-755-8981 8866 Fax: +86-755-8427 6832

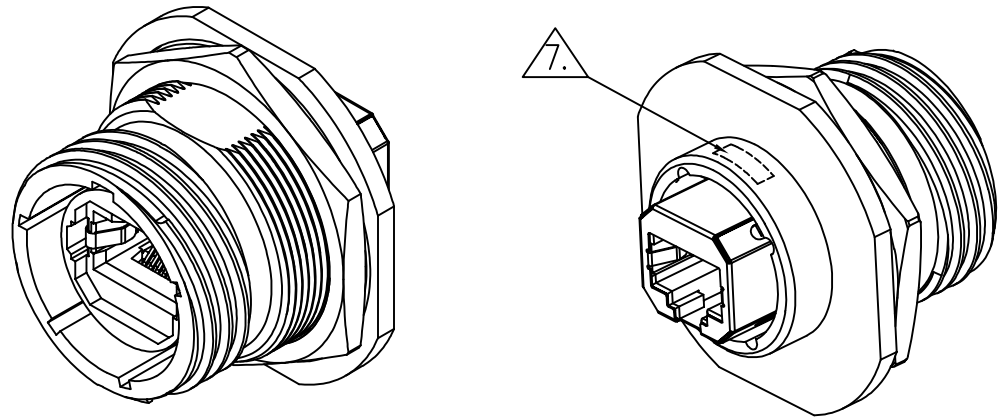
Email & Skype: info@chipsmall.com Web: www.chipsmall.com

Address: A1208, Overseas Decoration Building, #122 Zhenhua RD., Futian, Shenzhen, China

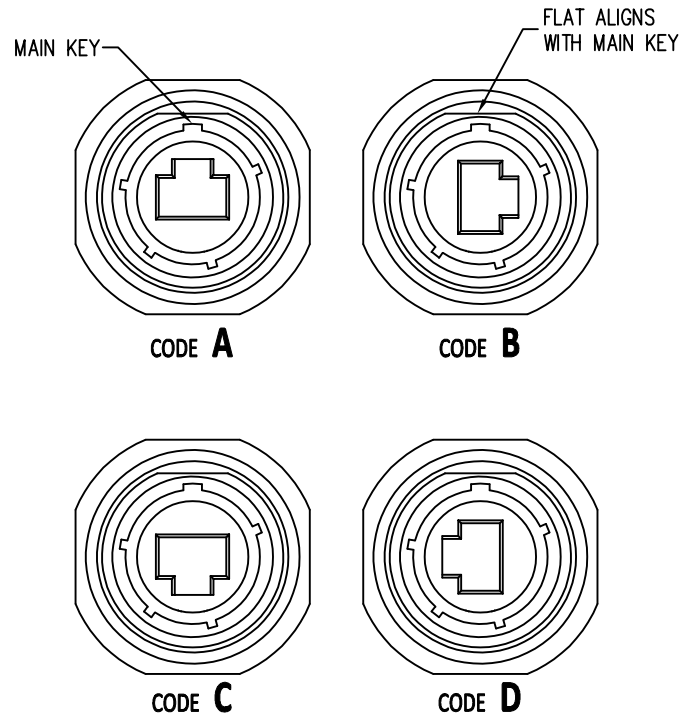


# JAM NUT RECEPTACLE CONNECTOR

DATE	REV	ECN	APP'D. BY
12-2-16	X0	-	ADB
1-11-17	A0	-	DHG
2-08-17	A1	10895	DHG
5-23-17	B0	11009	DHG



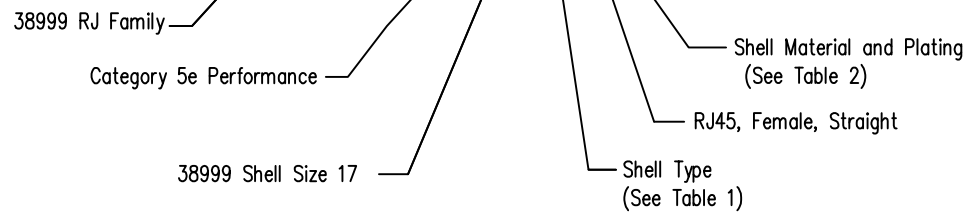
RECEPTACLE CONNECTOR  
AS RECEIVED  
(ISOMETRIC VIEWS)



POLARIZATION CODES  
USE REMOVAL TOOL P/N 2940262-01  
IF RECODING IS NECESSARY

## Part Number Key

**S-RJFTV5E17071G**



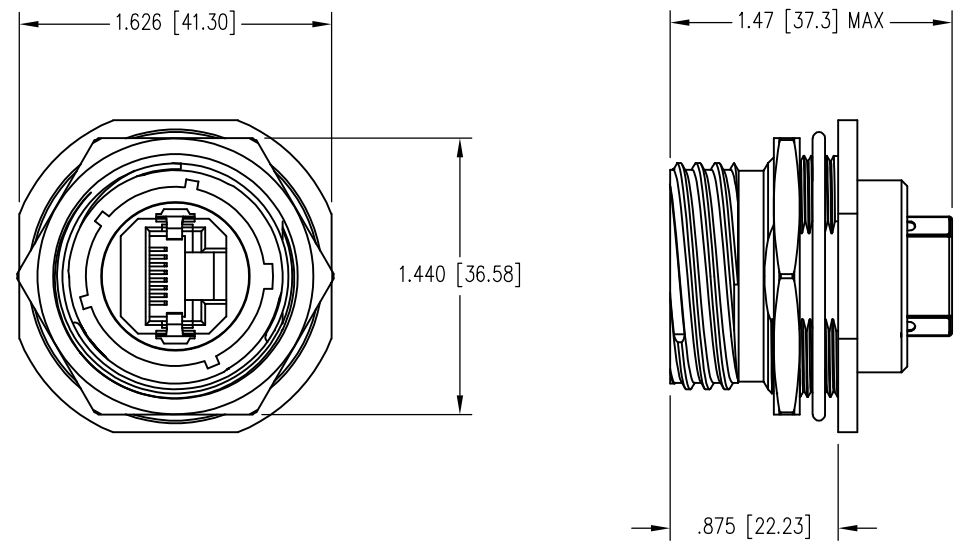
### NOTES:

- CONNECTOR MATERIALS:  
HOUSING: THERMOPLASTIC UL94 V-0  
CONTACTS/SHIELD: COPPER ALLOY  
CONTACT PLATING: 50 MICRO-INCHES [1.27um] SELECTIVE GOLD OR EQUIVALENT  
SHELL MATERIAL AND PLATING: SEE CHART FOR PART NUMBER  
O-RING: SILICONE
- DESIGNED FOR CATEGORY 5e PERFORMANCE  
FOR RJ45 PRODUCT SPECIFICATIONS SEE PRO40-01.
- RJ45 INTERFACE DIMENSIONS AND TOLERANCES  
COMPLY WITH TIA-1096 STANDARD.
- CIRCULAR SHELL COMPLIES WITH MIL-DTL-38999.
- STANDARD PRODUCT IS SUPPLIED ASSEMBLED TO POLARIZATION CODE A
- CONNECTOR ASSEMBLY IS SUPPLIED WITHOUT CORDSET IF LENGTH DESIGNATOR IS BLANK.
- CIRCULAR CONNECTOR IS MARKED WITH DATE CODE IN THIS AREA.
- CIRCULAR CONNECTOR IS SUPPLIED WITH DUST CAPS.

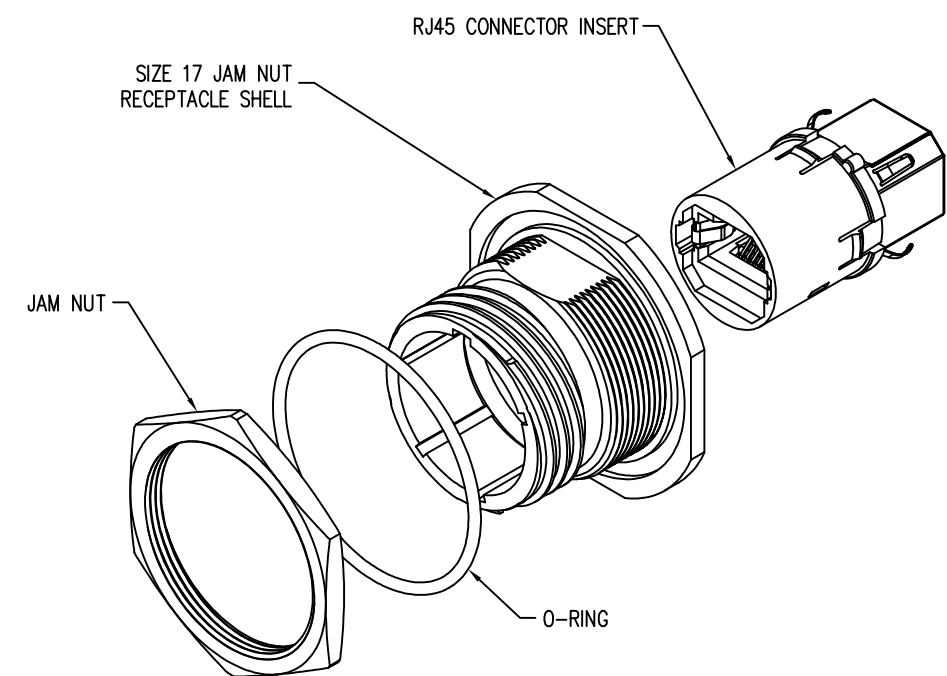
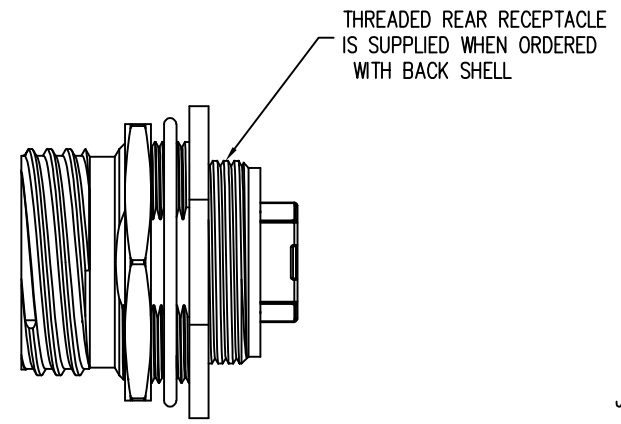
Part Number	Description
07	Receptacle, Jamnut
07BS	Receptacle, Jamnut, IP68 Backshell, Plastic gland
07BSM	Receptacle, Jamnut, IP68 Backshell, Metal gland

Part Number	Description
G	Aluminum shell, Olive drab plating
N	Aluminum shell, Nickel plating (RoHS)
SS	Stainless steel, Passivated (RoHS)
BZ	Marine bronze (RoHS)

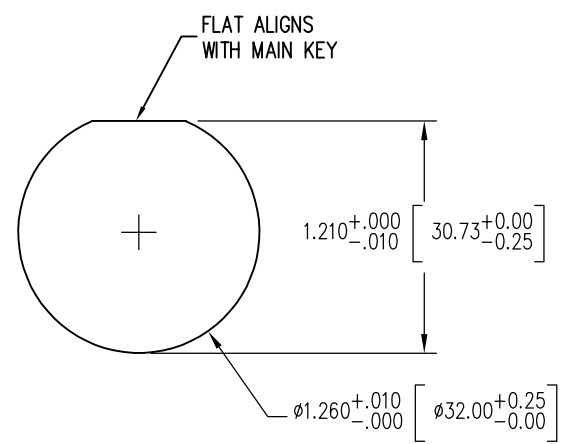
THIRD ANGLE PROJECTION			1118 Susquehanna Trail South Glen Rock, PA 17327-9199 (717) 235-7512 <a href="http://www.stewartconnector.com">http://www.stewartconnector.com</a>
DO NOT SCALE DRAWING DRAWING IS SUBJECT TO CHANGE WITHOUT NOTICE	TITLE: IP68 RECEPTACLE WITH RJ45 INSERT SIZE 17 38999 JAM NUT SHELL		
DIMENSIONS: INCHES [METRIC] UNLESS OTHERWISE SPECIFIED TOLERANCES ARE ±.005 [0.13] ANGLES ARE ± 1°	THIS DRAWING AND THE SUBJECT MATTER SHOWN THEREON ARE CONFIDENTIAL AND THE PROPRIETARY PROPERTY OF STEWART CONNECTOR AND SHALL NOT BE REPRODUCED, COPIED, OR USED IN ANY MANNER WITHOUT PRIOR WRITTEN CONSENT OF STEWART CONNECTOR. ONE OR MORE U.S. PATENTS MAY APPLY TO THIS PRODUCT. FOR DETAILS, PLEASE VISIT: <a href="http://BELFUSE.COM/STEWART/STEWART_PATENTS/">HTTP://BELFUSE.COM/STEWART/STEWART_PATENTS/</a>		DRN BY: DHG DATE: 11-15-16
SHEET NO. 1 OF 3	APPD BY: ADB DATE: 12-2-16		DWG NO. CT600172 REV. B0



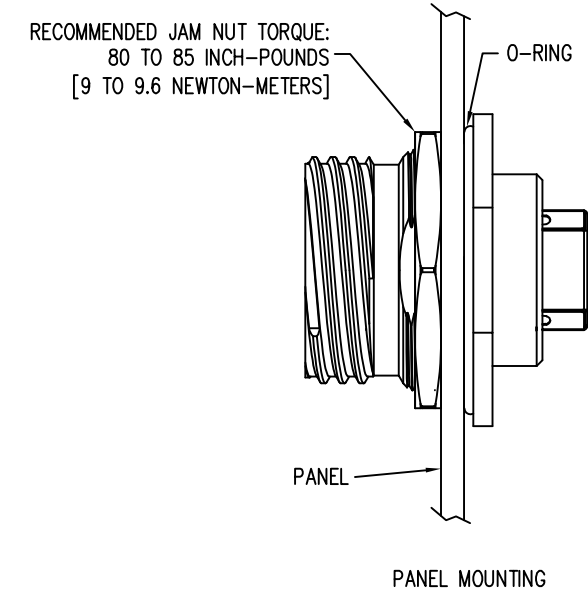
ASSEMBLED DIMENSIONS  
(POLARIZATION CODE A SHOWN)



RECEPTACLE CONNECTOR  
(EXPLODED VIEW)



PANEL CUTOUT  
.125 [3.2] MAX PANEL THICKNESS



THIRD ANGLE PROJECTION 	 stewart CONNECTOR a bel group	1118 Susquehanna Trail South Glen Rock, PA 17327-9199 (717) 235-7512 <a href="http://www.stewartconnector.com">http://www.stewartconnector.com</a>
DO NOT SCALE DRAWING DRAWING IS SUBJECT TO CHANGE WITHOUT NOTICE	TITLE: IP68 RECEPTACLE WITH RJ45 INSERT SIZE 17 38999 JAM NUT SHELL	
DIMENSIONS: INCHES [METRIC]	THIS DRAWING AND THE SUBJECT MATTER SHOWN THEREON ARE CONFIDENTIAL AND THE PROPRIETARY PROPERTY OF STEWART CONNECTOR AND SHALL NOT BE REPRODUCED, COPIED, OR USED IN ANY MANNER WITHOUT PRIOR WRITTEN CONSENT OF STEWART CONNECTOR. ONE OR MORE U.S. PATENTS MAY APPLY TO THIS PRODUCT. FOR DETAILS, PLEASE VISIT: <a href="http://BELFUSE.COM/STEWART/STEWART_PATENTS/">HTTP://BELFUSE.COM/STEWART/STEWART_PATENTS/</a>	DRN BY: DHG      DATE 11-15-16
UNLESS OTHERWISE SPECIFIED TOLERANCES ARE ±.005 [0.13] ANGLES ARE ± 1°		APPD BY: ADB      DATE 12-2-16
SHEET NO. 2 OF 3		DWG NO. CT600172      REV. B0



# JAM NUT RECEPTACLE CONNECTOR WITH BACK SHELL, SEALING GLAND, AND CORDSET

Part Number	Standard Length (Meters) [Inches]
03	0.3 [11.8]
05	0.5 [19.7]
10	1.0 [39.4]
15	1.5 [59.1]

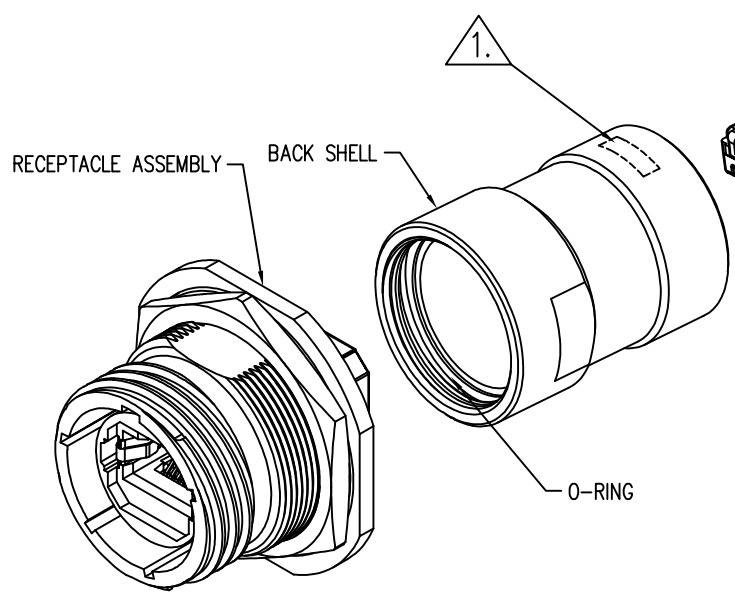
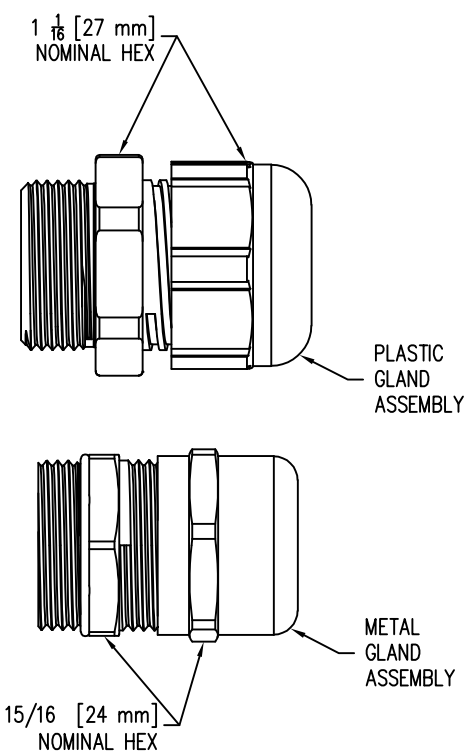
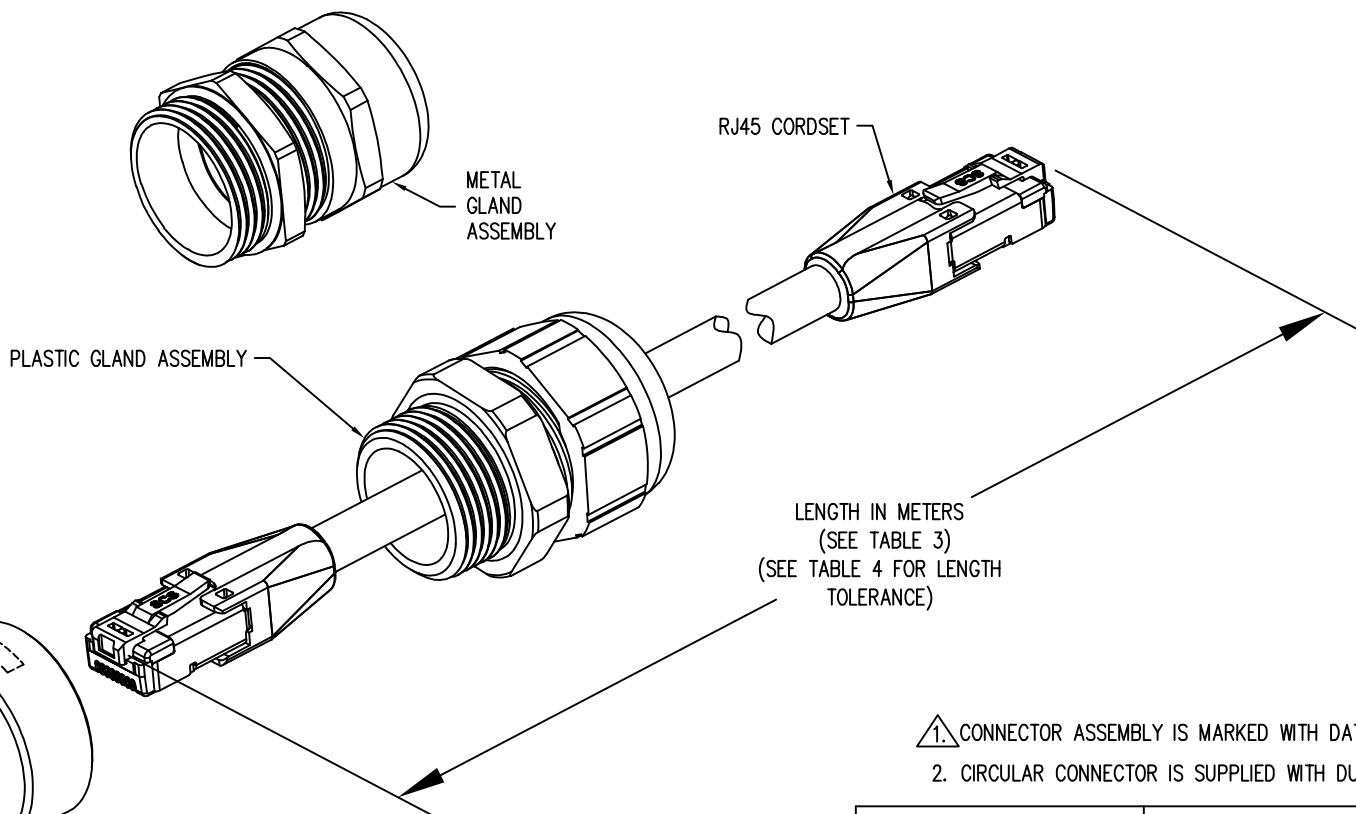
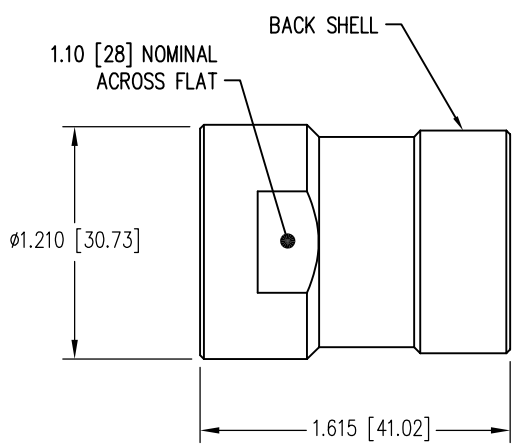
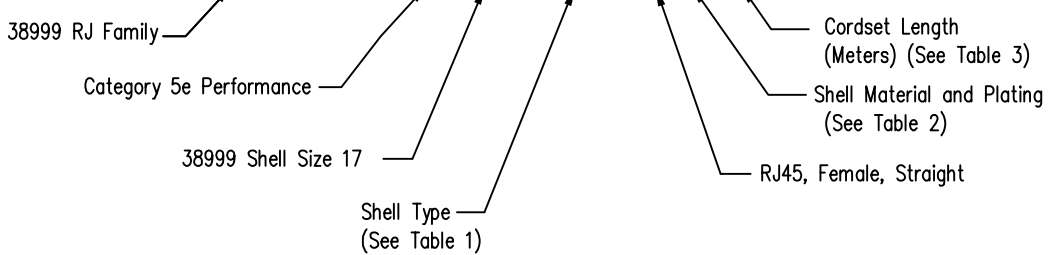
For Lengths Not Shown Follow Part Number Key Format. Supplied Without Cordset if Designator is Blank

Cable Length = Meters [inches]	Tolerance = MM [inches]
0.5 [19.7] TO 2.5 [98.4]	+100 [3.90] / -0 [0.00]
3.0 [118] TO 10 [394]	+150 [5.91] / -0 [0.00]

- NOTES:**
- SEALING GLAND RECOMMENDED TORQUE VALUES:  
 PLASTIC GLAND:  
 GLAND TO SHELL = 53 In-Lbs [6 Nm]  
 GLAND TO CABLE = 29.2 In-Lbs [3.3 Nm]  
 METAL GLAND:  
 GLAND TO SHELL = 66.4 In-Lbs [7.5 Nm]  
 GLAND TO CABLE = 66.4 In-Lbs [7.5 Nm]
  - BACK SHELL TO RECEPTACLE RECOMMENDED TORQUE:  
 40 TO 50 INCH-POUNDS [4.5 TO 5.6 NEWTON-METERS]

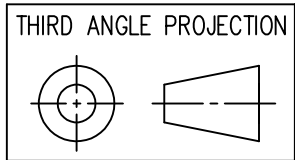
## Part Number Key

### S-RJFTV5E1707BS1G03



RECEPTACLE CONNECTOR WITH BACK SHELL, GLAND AND CORDSET AS RECEIVED (EXPLODED VIEW)

- CONNECTOR ASSEMBLY IS MARKED WITH DATE CODE IN THIS AREA.
- CIRCULAR CONNECTOR IS SUPPLIED WITH DUST CAPS.



1118 Susquehanna Trail South  
 Glen Rock, PA 17327-9199  
 (717) 235-7512  
<http://www.stewartconnector.com>

DO NOT SCALE DRAWING DRAWING IS SUBJECT TO CHANGE WITHOUT NOTICE	TITLE: IP68 RECEPTACLE WITH RJ45 INSERT SIZE 17 38999 JAM NUT SHELL	
DIMENSIONS: INCHES [METRIC] UNLESS OTHERWISE SPECIFIED TOLERANCES ARE ±.005 [0.13] ANGLES ARE ± 1°	DRN BY: DHG	DATE: 11-15-16
SHEET NO. 3 OF 3	APPD BY: ADB	DATE: 12-2-16
	DWG NO. CT600172	REV. B0