



Chipsmall Limited consists of a professional team with an average of over 10 year of expertise in the distribution of electronic components. Based in Hongkong, we have already established firm and mutual-benefit business relationships with customers from,Europe,America and south Asia,supplying obsolete and hard-to-find components to meet their specific needs.

With the principle of “Quality Parts,Customers Priority,Honest Operation,and Considerate Service”,our business mainly focus on the distribution of electronic components. Line cards we deal with include Microchip,ALPS,ROHM,Xilinx,Pulse,ON,Everlight and Freescale. Main products comprise IC,Modules,Potentiometer,IC Socket,Relay,Connector.Our parts cover such applications as commercial,industrial, and automotives areas.

We are looking forward to setting up business relationship with you and hope to provide you with the best service and solution. Let us make a better world for our industry!



## Contact us

Tel: +86-755-8981 8866 Fax: +86-755-8427 6832

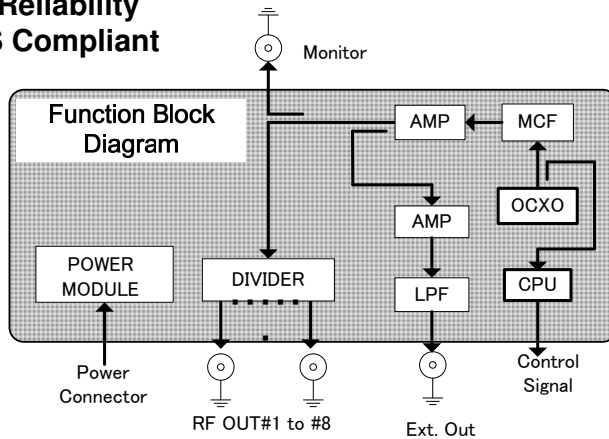
Email & Skype: info@chipsmall.com Web: www.chipsmall.com

Address: A1208, Overseas Decoration Building, #122 Zhenhua RD., Futian, Shenzhen, China



### Features;

- \* Ultra Low Phase Noise
- \* Low Spurious
- \* Extremely Pure Spectrum
- \* High Isolation (Typ. 30dB)
- \* High Reliability
- \* RoHS Compliant



RoHS Compliant  
Directive 2011/65/EU

### Specifications;

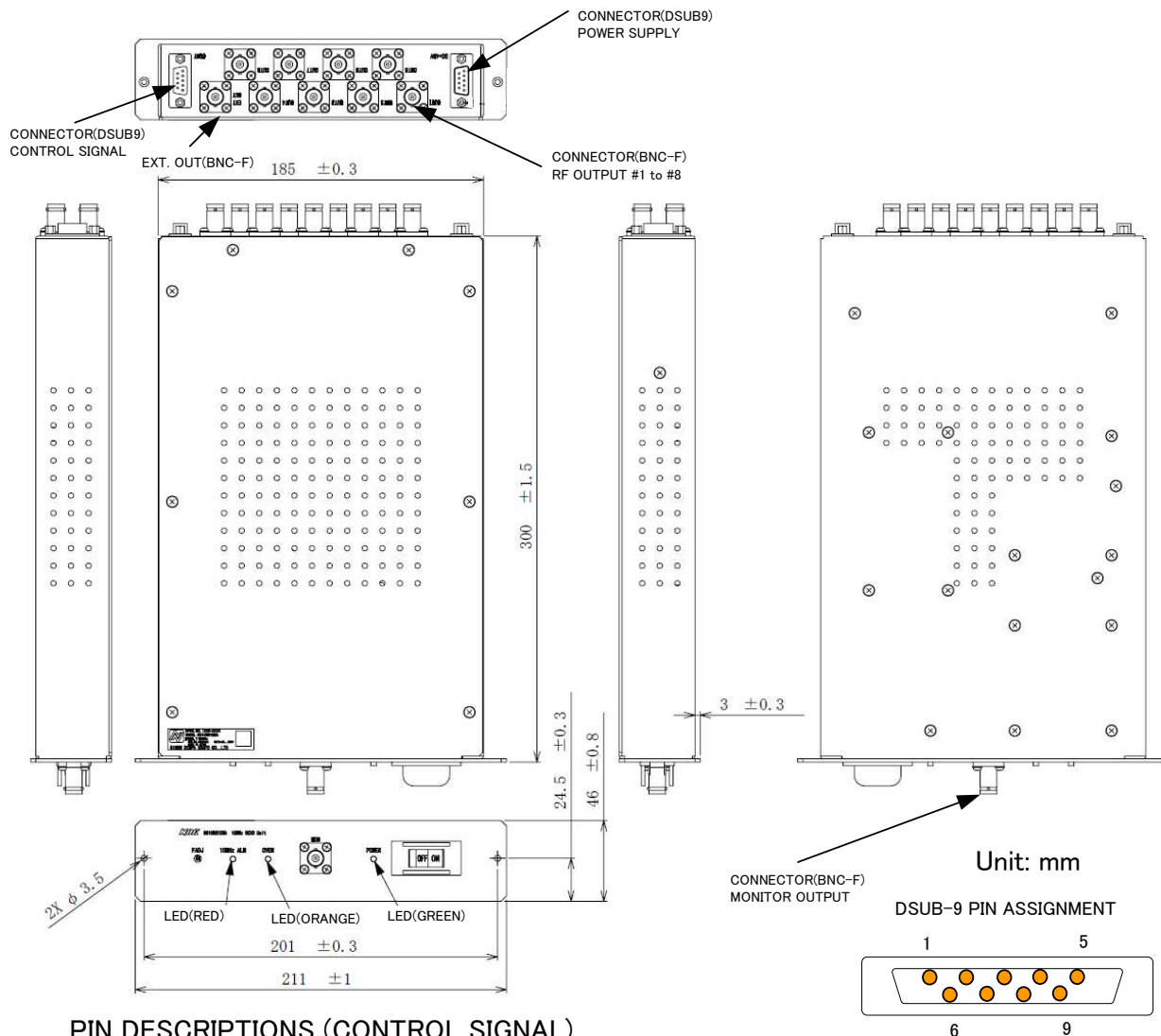
<b>Frequency:</b>	<b>10MHz</b>
<b>Number of Output:</b>	<b>8 ports (Sinusoidal Wave &amp; AC-coupled)</b>
<b>Output Power:</b>	<b>0dBm ± 1dB</b>
<b>Frequency Stability;</b>	
<b>Temp. and Power Supply Variation:</b>	<b>&lt; ±10ppb</b>
<b>Aging:</b>	<b>*1 &lt; ±50ppb/year</b>
<b>Warm-up:</b>	<b>*2 &lt; ±100ppb</b>
<b>Frequency Control:</b>	<b>Min. ±500ppb</b>
<b>Phase Noise;</b>	
<b>@1Hz offset</b>	<b>&lt; -93dBc/Hz</b>
<b>@10Hz offset</b>	<b>&lt; -123dBc/Hz</b>
<b>@100Hz offset</b>	<b>&lt; -133dBc/Hz</b>
<b>Integrated 100Hz to 1MHz</b>	<b>&lt; -90dBc</b>
<b>Spurious (Harmonics):</b>	<b>&lt; -30dBc</b>
<b>Spurious (Others):</b>	<b>&lt; -50dBc</b>
<b>Monitor Signal:</b>	<b>Internal 10MHz Signal Sinusoidal Output, Output Level Range is 0dBm±3dB.</b>
<b>LED Functions:</b>	<b>Power ON, 10MHz Output Level Status, and OVEN Status</b>
<b>Alarm Signals:</b>	<b>Power Warning, 10MHz Output Level, and OVEN Warning</b>
<b>External Output Power:</b>	<b>13dBm±3dB</b>
<b>Operating Temperature Range:</b>	<b>-10 to +50 deg. C</b>
<b>Interface;</b>	
<b>RF connectors:</b>	<b>BNC-F</b>
<b>Control Signal and Power Connector:</b>	<b>D-SUB 9</b>
<b>Power Supply Voltage (Power Consumption):</b>	<b>DC+48V±15% (&lt; 20VA)</b>
<b>Dimensions:</b>	<b>Width(211mm)×Depth(300mm)×Height(46mm)</b>

Notes \*1 ±50ppb/year is based on frequency after 30 days operation.

\*2 ±100ppb is satisfied within 10 minutes after power supply.

- ◆ Specifications described in this brochure are subject to be changed without notice for improvement.
- ◆ Custom-made specifications such as stability, aging and so on are available.

## Mechanical Outline



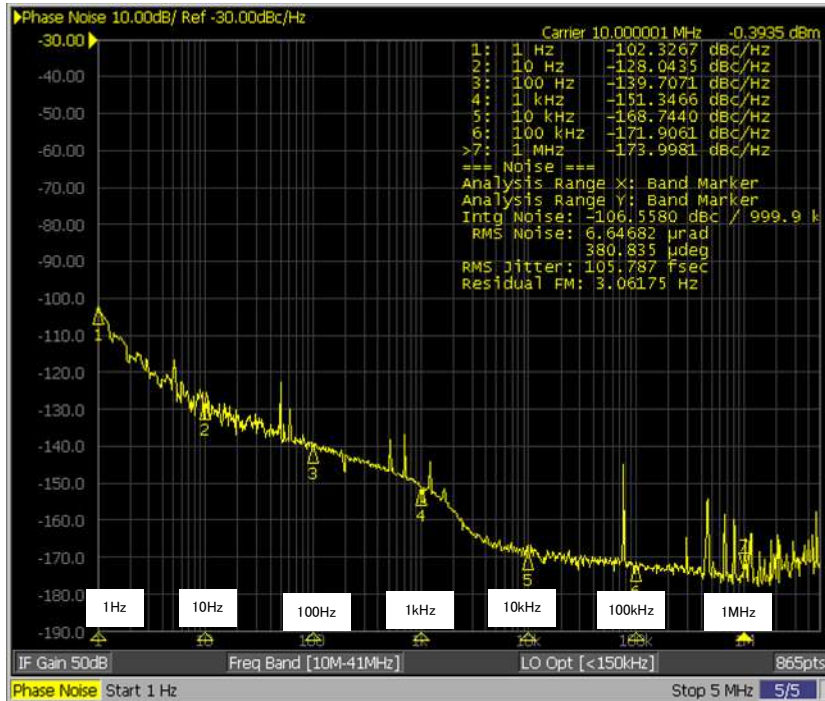
### PIN DESCRIPTIONS (CONTROL SIGNAL)

#1	10MHz	10MHz output	alarm terminal	#7	Power Supply	Power supply alarm terminal indicates whether power supply is normal state or not.
#6	Output Alarm	indicates whether output level is normal state or not.		#8	Alarm	
#2	NC	Do not connect		#4	OVEN	OVEN terminal indicates heater movement state of the OCXO inside.
#3	NC	Do not connect		#9		
#5	GND					

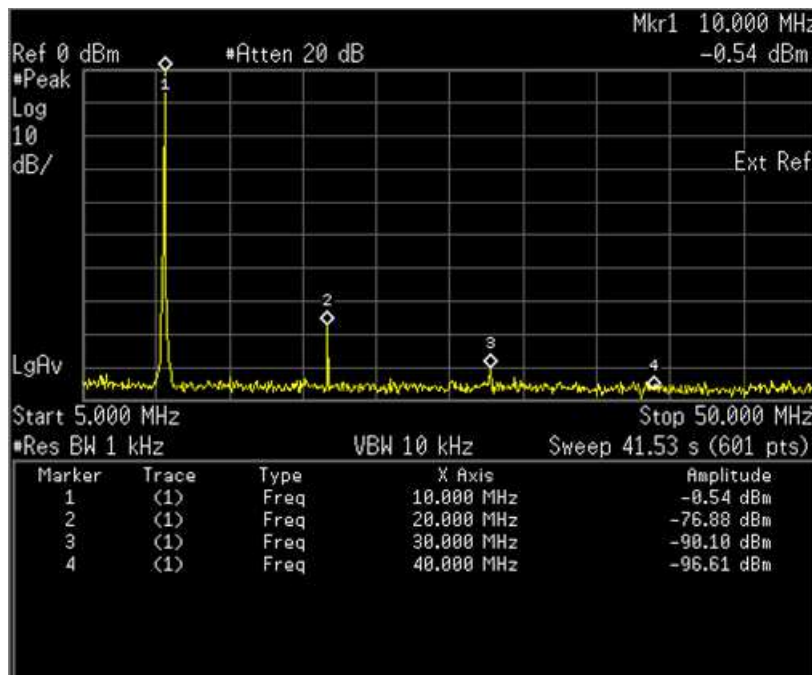
### PIN DESCRIPTIONS (POWER SUPPLY)

#1	DC1	DC + 48V(DC1) power supply input terminal	#6	DC2	DC + 48V(DC2) power supply input terminal
#2	DC1		#7	DC2	
#3	NC	Do not connect	#8	GND	GND terminal of DC2
#4	GND	GND terminal of DC1	#9	GND	
#5	GND				

### Typical Phase Noise Characteristics



### Typical Spurious Characteristics



Harmonic Spurious Level (dBc)	2nd	-76.34
	3rd	-89.56