



Chipsmall Limited consists of a professional team with an average of over 10 year of expertise in the distribution of electronic components. Based in Hongkong, we have already established firm and mutual-benefit business relationships with customers from,Europe,America and south Asia,supplying obsolete and hard-to-find components to meet their specific needs.

With the principle of "Quality Parts,Customers Priority,Honest Operation,and Considerate Service",our business mainly focus on the distribution of electronic components. Line cards we deal with include Microchip,ALPS,ROHM,Xilinx,Pulse,ON,Everlight and Freescale. Main products comprise IC,Modules,Potentiometer,IC Socket,Relay,Connector.Our parts cover such applications as commercial,industrial, and automotives areas.

We are looking forward to setting up business relationship with you and hope to provide you with the best service and solution. Let us make a better world for our industry!



Contact us

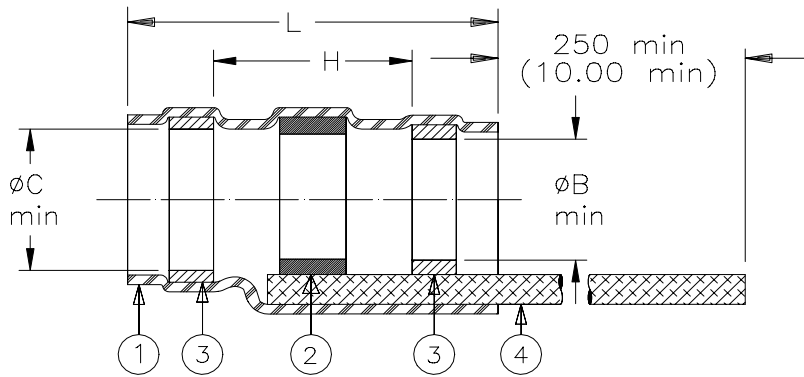
Tel: +86-755-8981 8866 Fax: +86-755-8427 6832

Email & Skype: info@chipsmall.com Web: www.chipsmall.com

Address: A1208, Overseas Decoration Building, #122 Zhenhua RD., Futian, Shenzhen, China



SPECIFICATION CONTROL DRAWING



Product Revisions		Component Dimensions				Shall Accommodate Cable With Dimensions			
Part Name		Ident. Code	L±1.75 (L±0.07)	B min	C min	H min	E max	F min	D max
S03-01-R-9035-100	A	1-HB	16.5 (0.650)	1.9 (0.075)	2.65 (0.105)	8.25 (0.325)	2.65 (0.105)	0.90 (0.035)	1.9 (0.075)
S03-02-R-9035-100	A	2-HB	16.5 (0.650)	2.65 (0.105)	3.55 (0.140)	8.25 (0.325)	3.55 (0.140)	1.40 (0.055)	2.65 (0.105)
S03-03-R-9035-100	A	3-HB	16.5 (0.650)	4.3 (0.170)	5.0 (0.195)	8.25 (0.325)	5.0 (0.195)	2.15 (0.085)	4.3 (0.170)
S03-04-R-9035-100	A	4-HB	19.7 (0.775)	5.95 (0.235)	6.45 (0.255)	8.25 (0.325)	6.45 (0.255)	3.30 (0.130)	5.95 (0.235)
S03-05-R-9035-100	A	5-HB	19.7 (0.775)	7.0 (0.275)	7.6 (0.300)	8.25 (0.325)	7.6 (0.300)	4.30 (0.170)	7.0 (0.275)

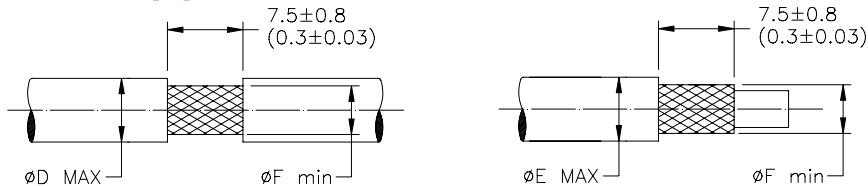
MATERIAL

- INSULATION SLEEVE: Heat-shrinkable, radiation cross-linked modified polyvinylidene fluoride. Transparent blue.
- SOLDER PREFORM WITH FLUX & THERMAL INDICATOR:
 - SOLDER: TYPE Sn63 per ANSI J-STD-006.
 - FLUX: TYPE ROL1 per ANSI J-STD-004.
 - THERMAL INDICATOR: Color change violet to colorless.
- MELTABLE RINGS: Thermally stabilized thermoplastic. Color: blue.
- PRE-INSTALLED BRAID: Tin plated copper strands. CMA 1000.

APPLICATION

- These parts are designed to provide an environment protected shield termination on cables, rated for 125°C minimum, meeting the dimensional criteria listed, having tin or silver plated shields.
- Temperature range: -55°C to +150°C.
- Install using Raychem-approved convection or infrared heating tools in accordance with Raychem process standard RCPS-100-70. Infrared tools are not recommended for use with black jackets.

For best results, prepare the cable as shown:



*A trademark of Raychem Corporation.

Raychem		THERMOFIT DEVICES		Raychem Corporation 300 Constitution Drive Menlo Park, CA 94025 USA		TITLE: SOLDERSLEEVE* DEVICE SHIELD TERMINATION WITH BRAID			
UNLESS OTHERWISE SPECIFIED DIMENSIONS ARE IN MILLIMETERS. INCHES DIMENSIONS ARE IN BETWEEN BRACKETS.						DOCUMENT NO.: S03-0X-R-9035-100			
TOLERANCES: 0.00 N/A 0.0 N/A 0 N/A		ANGLES: N/A ROUGHNESS IN MICRON		Raychem reserves the right to amend this drawing at any time. Users should evaluate the suitability of the product for their application.		DCR NUMBER: D981108		REPLACES: S03-9035	
DRAWN BY: R. MAPALO		DATE: 07/20/98		REV.: SEE TABLE		DOC ISSUE: 1		SCALE: NONE	
						SIZE: A		SHEET: 1 of 1	

If this document is printed it becomes uncontrolled. Check for the latest revision.