



Chipsmall Limited consists of a professional team with an average of over 10 year of expertise in the distribution of electronic components. Based in Hongkong, we have already established firm and mutual-benefit business relationships with customers from,Europe,America and south Asia,supplying obsolete and hard-to-find components to meet their specific needs.

With the principle of “Quality Parts,Customers Priority,Honest Operation,and Considerate Service”,our business mainly focus on the distribution of electronic components. Line cards we deal with include Microchip,ALPS,ROHM,Xilinx,Pulse,ON,Everlight and Freescale. Main products comprise IC,Modules,Potentiometer,IC Socket,Relay,Connector.Our parts cover such applications as commercial,industrial, and automotives areas.

We are looking forward to setting up business relationship with you and hope to provide you with the best service and solution. Let us make a better world for our industry!



Contact us

Tel: +86-755-8981 8866 Fax: +86-755-8427 6832

Email & Skype: info@chipsmall.com Web: www.chipsmall.com

Address: A1208, Overseas Decoration Building, #122 Zhenhua RD., Futian, Shenzhen, China

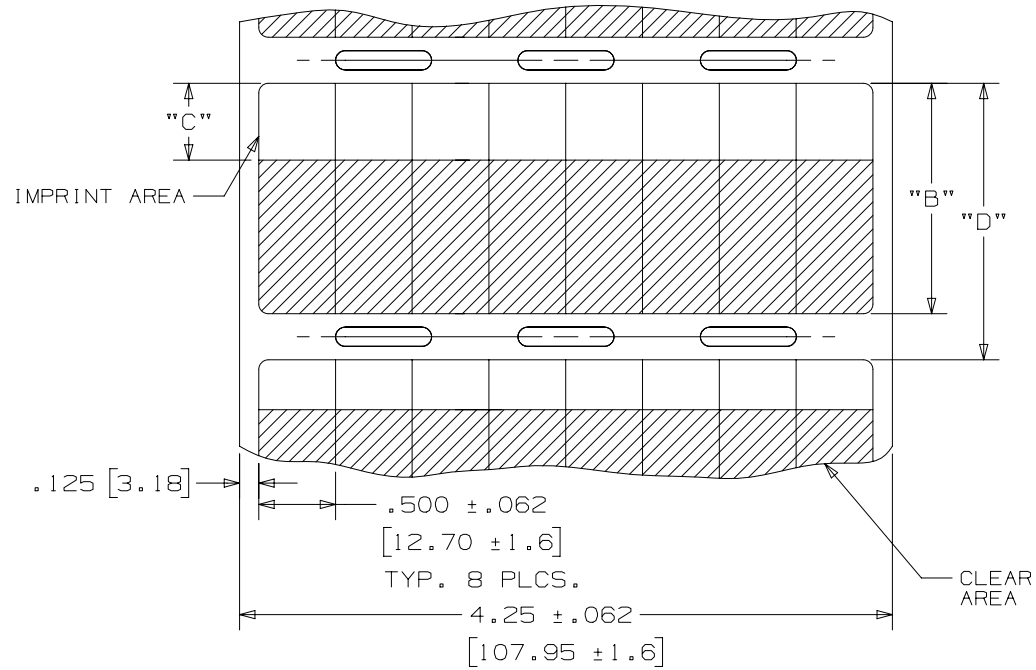


THIS COPY IS PROVIDED ON A RESTRICTED BASIS AND IS NOT TO BE USED IN ANY WAY DETRIMENTAL TO THE INTERESTS OF PANDUIT CORP.

PART NUMBER	MATERIAL	"B" HEIGHT +/- .062	IMPRINT AREA "C" +/- .062	VERTICAL REPEAT "D" +/- .062	LABELS PER ROW	STANDARD PKG. QTY.
S050X075VA1Y	GMV16 OR GMV17	0.75 [19.0]	0.25 [6.35]	1.00 [25.4]	8	5000
S050X125VA1Y		1.25 [31.8]	0.38 [9.65]	1.50 [38.1]		
S050X150VA1Y		1.50 [38.1]	0.50 [12.7]	1.80 [45.7]		



NOTES:
1. MILLIMETERS ARE IN [].



9	12/10/15	RVU	SEWH	JHAC	1.80 [45.7] WAS 1.75 [44.5].	GAECN03279
8	8/19/15	RVU	SEWH	JHAC	UPDATE ON NEW BOARDER WTIH PANDUIT LOGO. 1.75 [44.5] WAS 1.80 [45.7].	GAECN03105
7	10/25/11	RVU	MSAD		"GMV16 OR GMV17" WAS "GMV".	6548
6	10/21/10	RVU	MSAD		MILLIMETER INCORRECT. [38.1] WAS [12.7]. [9.65] WAS [9.53].	6164
5	12/10/09	RVU			GMV16 WAS GMV3. UPDATE ON ALL STANDARD TOLERANCES. ADD +/- .062.	5925
4	4/8/08	RVU			OBSOLETE P/N: S050X075VA1, S050X125VA1, AND S050X150VA1/ GMV3 WAS GMV. TOL. INCREASED.	5390
3	5/4/07	RVU			[38.1] WAS [12.7].	4973
2	8/30/06	RVU			ADDED PART NO. S050X075VA1Y, S050X125VA1Y AND S050X150VA1Y.	4678
1	3/30/06	RVU			38.1 mm WAS 12.7 mm.	4431
0	9/22/04	RVU			DRAWING RELEASED.	0000
REV	DATE	BY	CHK	APR	DESCRIPTION	ECN

TITLE		S050X***VA1Y OPTIMUM SELF-LAMINATING THERMAL TRANSFER PRINTABLE LABELS CUSTOMER DRAWING	
ITEM REVISION NAME		100472SP/08	
DATASET FILE NAME		100472SP_DC_C10195/08K	
UNLESS OTHERWISE SPECIFIED, DIMENSIONAL TOLERANCES ARE: IN [mm]		PANDUIT SEE TABLE	
.x ± .12 [3.05] .xxx ± .025 [.635] .xx ± .062 [1.57] ANGLES ±			
DRAWING NUMBER:		C10195	
DRAWN BY	DATE	CHK	SCALE
RVU	2/6/04	JHAC	NTS
SHT 1 OF 1			SIZE A