



Chipsmall Limited consists of a professional team with an average of over 10 year of expertise in the distribution of electronic components. Based in Hongkong, we have already established firm and mutual-benefit business relationships with customers from,Europe,America and south Asia,supplying obsolete and hard-to-find components to meet their specific needs.

With the principle of "Quality Parts,Customers Priority,Honest Operation,and Considerate Service",our business mainly focus on the distribution of electronic components. Line cards we deal with include Microchip,ALPS,ROHM,Xilinx,Pulse,ON,Everlight and Freescale. Main products comprise IC,Modules,Potentiometer,IC Socket,Relay,Connector.Our parts cover such applications as commercial,industrial, and automotives areas.

We are looking forward to setting up business relationship with you and hope to provide you with the best service and solution. Let us make a better world for our industry!



Contact us

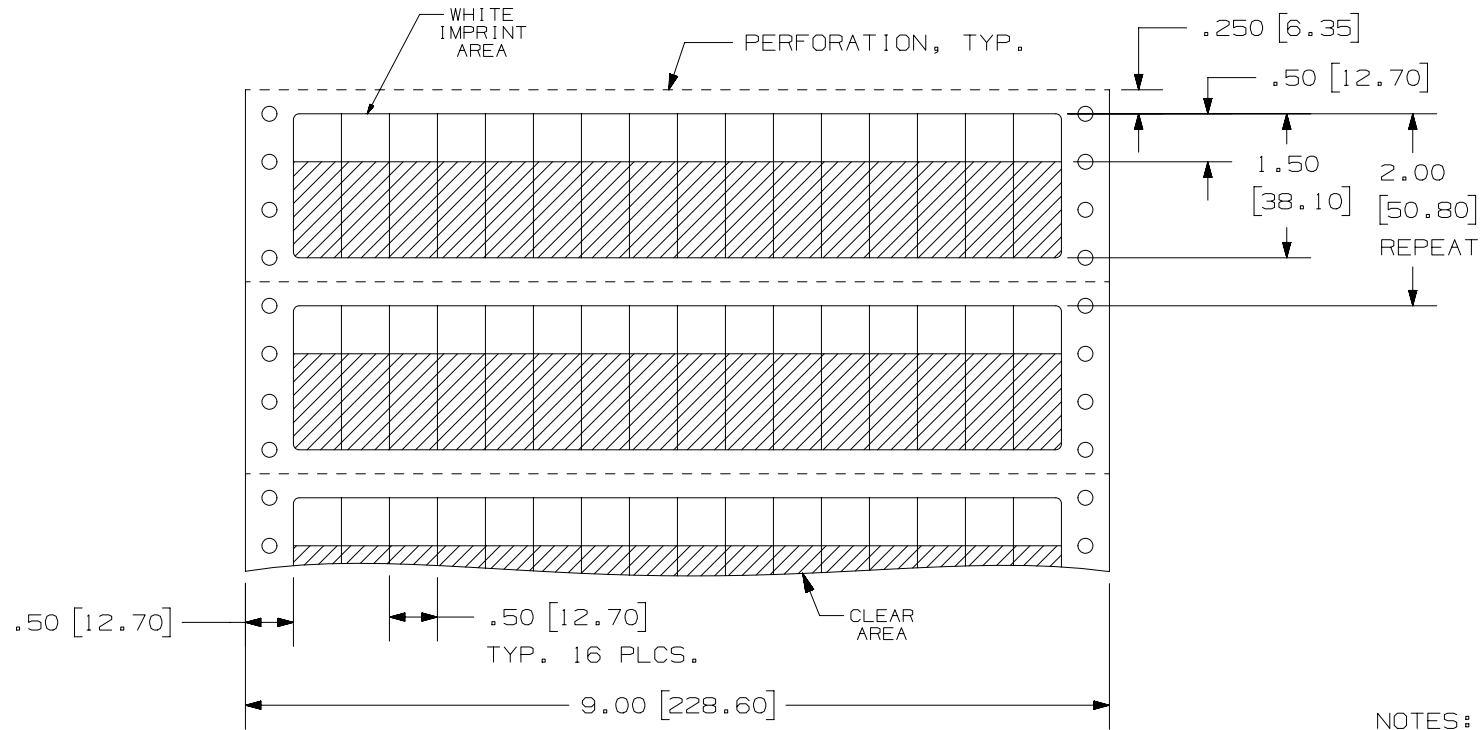
Tel: +86-755-8981 8866 Fax: +86-755-8427 6832

Email & Skype: info@chipsmall.com Web: www.chipsmall.com

Address: A1208, Overseas Decoration Building, #122 Zhenhua RD., Futian, Shenzhen, China



THIS COPY IS PROVIDED ON A RESTRICTED BASIS AND IS NOT TO BE USED IN ANY WAY DETRIMENTAL TO THE INTERESTS OF PANDUIT CORP.



- NOTES:
 1. ALL LABELS TO BE EQUALLY SPACED AS SHOWN.
 2. MILLIMETERS ARE IN [].

PART NUMBER	MATERIAL	MARKER SIZE inches [mm]	ROWS PER FANFOLD	LABELS PER ROW	STANDARD PKG. QTY.
S050X150T1D	GMTD1	.500" [12.7] X X	6	16	5000
S050X150TAD-A	GMT1	1.50" [38.1]			

TITLE S050X150T1D AND S050X150TAD-A PVDF & Tedlar SELF-LAMINATING DOT MATRIX PRINTABLE LABEL CUSTOMER DRAWING								
ITEM REVISION NAME 100619RU/01	PANDUIT							
DATASET FILE NAME 100619RU-DC-C10855/00A								
UNLESS OTHERWISE SPECIFIED, DIMENSIONAL TOLERANCES ARE: IN [mm] .x ± .12 [3.05] .xxx ± .025 [.635] .xx ± .062 [1.57] ANGLES ±								
MATERIAL: AS NOTED								
DRAWING NUMBER: C10855								
DRAWN BY RVU	DATE 10/4/10							
CHK MSAD	SCALE NTS							
THIRD ANGLE PROJECTION								
REV	DATE	BY	CHK	APR	DESCRIPTION	ECN	SHT 1 OF 1	SIZE A

REV	DATE	BY	CHK	APR	DESCRIPTION	ECN
1	8/31/17	RVU	JW	JHAC	ADD NEW PN, S050X150TAD-A TO TABLE.	GAECN04272
0	10/4/10	RVU	SEWH	MSAD	RELEASE TO PRODUCTION.	6160

D10100DA/20