



Chipsmall Limited consists of a professional team with an average of over 10 year of expertise in the distribution of electronic components. Based in Hongkong, we have already established firm and mutual-benefit business relationships with customers from,Europe,America and south Asia,supplying obsolete and hard-to-find components to meet their specific needs.

With the principle of “Quality Parts,Customers Priority,Honest Operation,and Considerate Service”,our business mainly focus on the distribution of electronic components. Line cards we deal with include Microchip,ALPS,ROHM,Xilinx,Pulse,ON,Everlight and Freescale. Main products comprise IC,Modules,Potentiometer,IC Socket,Relay,Connector.Our parts cover such applications as commercial,industrial, and automotives areas.

We are looking forward to setting up business relationship with you and hope to provide you with the best service and solution. Let us make a better world for our industry!



## Contact us

Tel: +86-755-8981 8866 Fax: +86-755-8427 6832

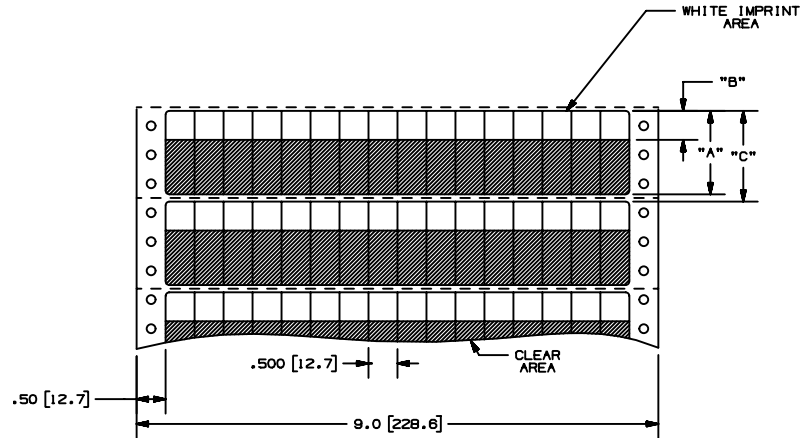
Email & Skype: info@chipsmall.com Web: www.chipsmall.com

Address: A1208, Overseas Decoration Building, #122 Zhenhua RD., Futian, Shenzhen, China



THIS COPY IS PROVIDED ON A RESTRICTED BASIS AND IS NOT TO BE USED IN ANY WAY DETRIMENTAL TO THE INTERESTS OF PANDUIT CORP.

PART NUMBER	MATERIAL	"A" HEIGHT	IMPRINT AREA "B"	"C" REPEAT	LABELS PER ROW	ROWS PER FANFOLD	STANDARD PKG. QTY.
S050X125VAD	GMV3	1.250 [31.8]	0.38 +/- .031 [9.53]	1.50 [38.1]	16	8	5000
S050X150VAD	GMV3	1.500 [38.1]	0.50 +/- .031 [12.7]	2.00 [50.8]	16	6	5000
S050X125TAD	GMT1	1.250 [31.8]	0.38 +/- .031 [9.53]	1.50 [38.1]	16	8	5000
S050X150TAD	GMT1	1.500 [38.1]	0.50 +/- .031 [12.7]	2.00 [50.8]	16	6	5000
S050X125VADY	GMV3	1.250 [31.8]	0.38 +/- .031 [9.53]	1.50 [38.1]	16	8	5000
S050X150VADY	GMV3	1.500 [38.1]	0.50 +/- .031 [12.7]	2.00 [50.8]	16	6	5000



- NOTES:  
 1. ALL LABELS TO BE BUTT-CUT AS SHOWN.  
 2. MILLIMETERS ARE IN [ ].  
 3. SEE MFG. DWG. A61149.

CAD FILENAME/LAYERS									
I00472LN_C10378_S050XxxxVADTAD_00.prt									
<b>PANDUIT</b> CORP TINLEY PARK, ILLINOIS									
CUSTOMER DRAWING OPTIMUM SELF-LAM. S050X***VAD, S050X***VADY, AND S050X***TAD COMPUTER PRINTABLE LABELS									
UNLESS OTHERWISE SPECIFIED, DIMENSIONAL TOLERANCES ARE: (.X) ± .031 (.XXX) ± .005 (.XX) ± .015 ANGLES ± 1°					UNLESS OTHERWISE SPECIFIED, ALL DIMENSIONS ARE GIVEN IN INCHES, THIRD ANGLE PROJECTION				
DRAWN BY RVU		MATERIAL		SCALE NTS		DRAWING NO. C10378		DWG B SIZE	
DATE 9-7-05		SEE TABLE							
REV 0		DATE 9-7-05		BY RVU		CHK		DESCRIPTION RELEASED TO PRODUCTION.	
REV		DATE		BY		CHK		DESCRIPTION	
								ECN - R CUST SUP	