



Chipsmall Limited consists of a professional team with an average of over 10 year of expertise in the distribution of electronic components. Based in Hongkong, we have already established firm and mutual-benefit business relationships with customers from,Europe,America and south Asia,supplying obsolete and hard-to-find components to meet their specific needs.

With the principle of "Quality Parts,Customers Priority,Honest Operation,and Considerate Service",our business mainly focus on the distribution of electronic components. Line cards we deal with include Microchip,ALPS,ROHM,Xilinx,Pulse,ON,Everlight and Freescale. Main products comprise IC,Modules,Potentiometer,IC Socket,Relay,Connector.Our parts cover such applications as commercial,industrial, and automotives areas.

We are looking forward to setting up business relationship with you and hope to provide you with the best service and solution. Let us make a better world for our industry!



## Contact us

Tel: +86-755-8981 8866 Fax: +86-755-8427 6832

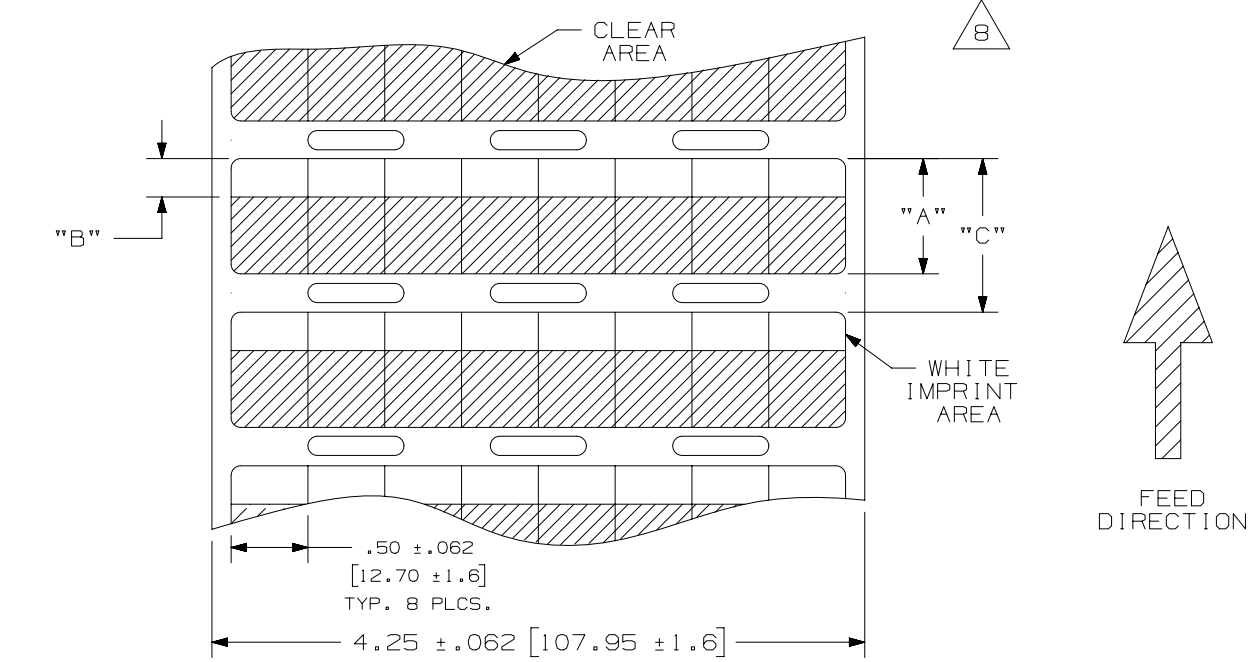
Email & Skype: info@chipsmall.com Web: www.chipsmall.com

Address: A1208, Overseas Decoration Building, #122 Zhenhua RD., Futian, Shenzhen, China



THIS COPY IS PROVIDED ON A RESTRICTED BASIS AND IS NOT TO BE USED IN ANY WAY DETRIMENTAL TO THE INTERESTS OF PANDUIT CORP.

PART NUMBER	MATERIAL	HEIGHT "A" +/- .062	IMPRINT AREA "B" +/- .062	VERTICAL REPEAT "C" +/- .062	LABELS PER ROW	STANDARD PKG. QTY.
S050X075VATY	GMV16 OR GMV17	0.75 [19.0]	0.25 [6.35]	1.00 [25.4]	8	5000
S050X125VATY		1.25 [31.8]	0.38 [9.53]	1.50 [38.1]		
S050X150VATY		1.50 [38.1]	0.50 [12.7]	1.80 [45.7]		
S050X250VATY		2.50 [63.5]	1.00 [25.4]	2.75 [69.8]		



NOTE:  
1. MILLIMETERS ARE IN [ ].

8	12/10/15	RVU	SEWH	JHAC	1.80 [47.2] WAS 1.75 [44.5].	GAECN03280
7	9/4/15	RVU	SEWH	JHAC	1.75 [44.5] WAS 1.80 [47.2].	GAECN03150
6	12/2/13	RVU	SEWH	MSAD	REMOVE S050X150TAT. 1.50 [38.1] WAS 1.500 [12.7].	GAECN01423
5	10/25/11	RVU	SEWH	MSAD	"GMV16 OR GMV17" WAS "GMV".	6548
4	12/10/09	RVU			UPDATE ON ALL STANDARD TOL. OBS P/N: S050X075VAT, S050X125VAT & S050X150VAT.	5925
3	6/4/08	RVU			Change the packaging quantity of part number S050X250VATY from 1000PC to 5000PC.	5456
2	5/30/07	RVU			ADDED NEW P/N, S050X150TAT AND S050X250VATY. S050X***VATY, GMV3 WAS GMV.	5021
1	8/30/06	RVU			ADDED P/N, S050X075VATY, S050X125VATY, AND S050X150VATY.	4679
0	9/22/04	RVU			DRAWING RELEASED.	0000
REV	DATE	BY	CHK	APR	DESCRIPTION	ECN

TITLE S050X075VATY, S050X125VATY, S050X150VATY, S050X250VATY OPTIMUM THERMAL TRANSFER SELF-LAMINATING LABELS CUSTOMER DRAWING		<b>PANDUIT</b>
ITEM REVISION NAME 100472BV/12		
DATASET FILE NAME 100472BV_DC_C10197/12J		MATERIAL: <b>SEE TABLE</b>
UNLESS OTHERWISE SPECIFIED, DIMENSIONAL TOLERANCES ARE: IN [mm] .x ± .12 [3.05] .xxx ± .025 [.635] .xx ± .062 [1.57] ANGLES ±		DRAWING NUMBER: C10197
DRAWN BY RVU	DATE 9/22/04	CHK MSAD
SCALE NTS	SHT 1 OF 1	
		SIZE A

D10100DA/16