



Chipsmall Limited consists of a professional team with an average of over 10 year of expertise in the distribution of electronic components. Based in Hongkong, we have already established firm and mutual-benefit business relationships with customers from,Europe,America and south Asia,supplying obsolete and hard-to-find components to meet their specific needs.

With the principle of “Quality Parts,Customers Priority,Honest Operation,and Considerate Service”,our business mainly focus on the distribution of electronic components. Line cards we deal with include Microchip,ALPS,ROHM,Xilinx,Pulse,ON,Everlight and Freescale. Main products comprise IC,Modules,Potentiometer,IC Socket,Relay,Connector.Our parts cover such applications as commercial,industrial, and automotives areas.

We are looking forward to setting up business relationship with you and hope to provide you with the best service and solution. Let us make a better world for our industry!



Contact us

Tel: +86-755-8981 8866 Fax: +86-755-8427 6832

Email & Skype: info@chipsmall.com Web: www.chipsmall.com

Address: A1208, Overseas Decoration Building, #122 Zhenhua RD., Futian, Shenzhen, China



Customer Information Sheet

DRAWING No.: S0981-46R

SHEET 2 OF 2

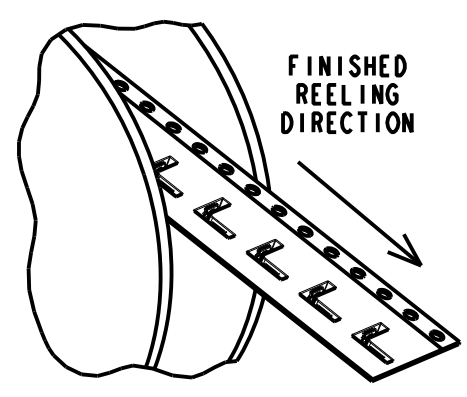
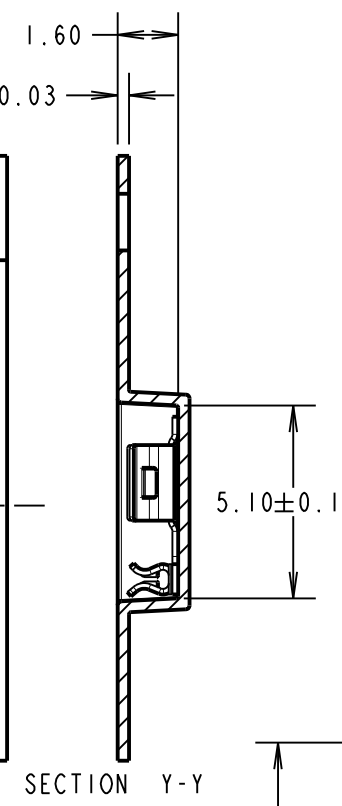
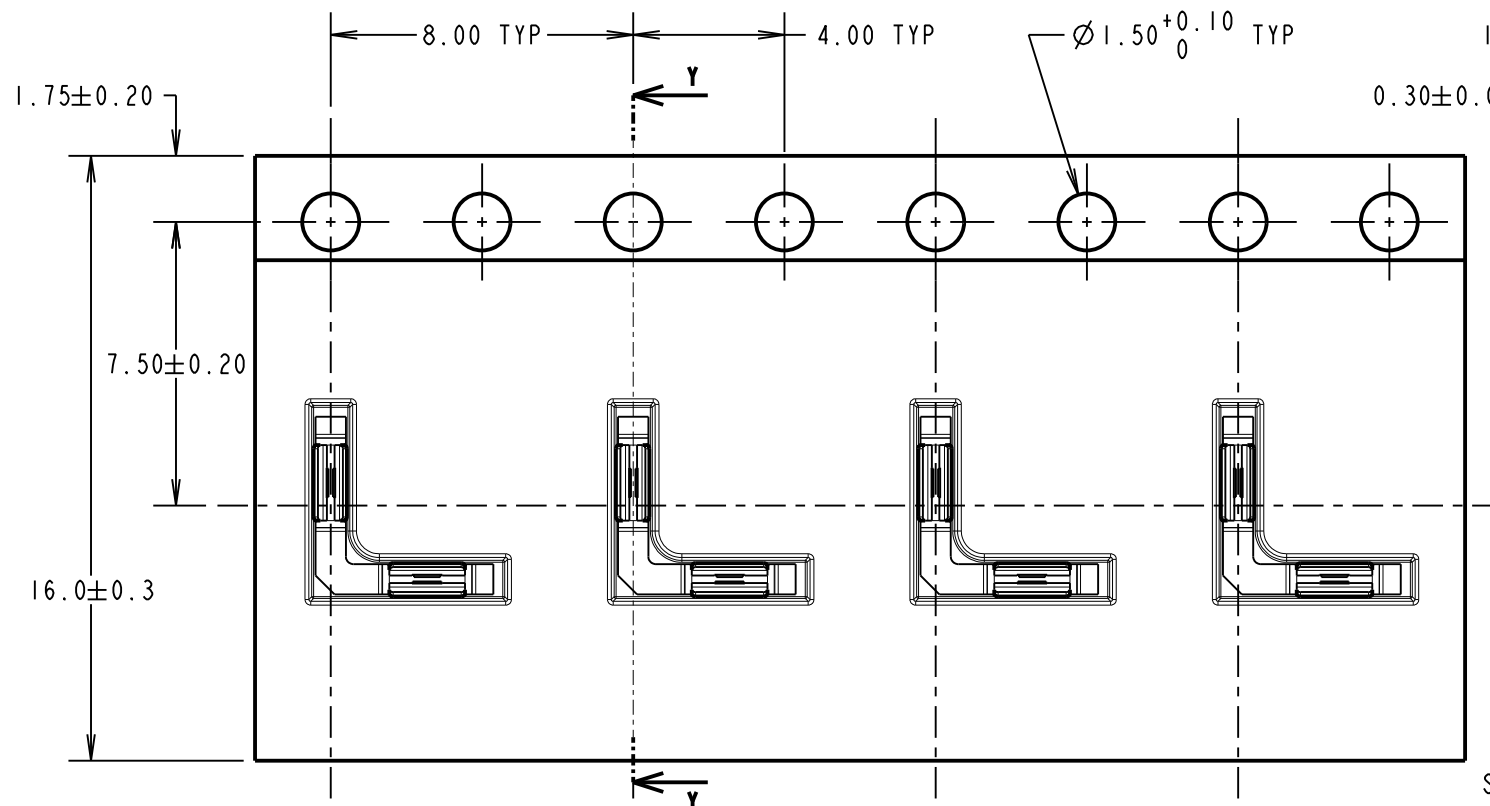
IF IN DOUBT - ASK

©

NOT TO SCALE

THIRD ANGLE PROJECTION

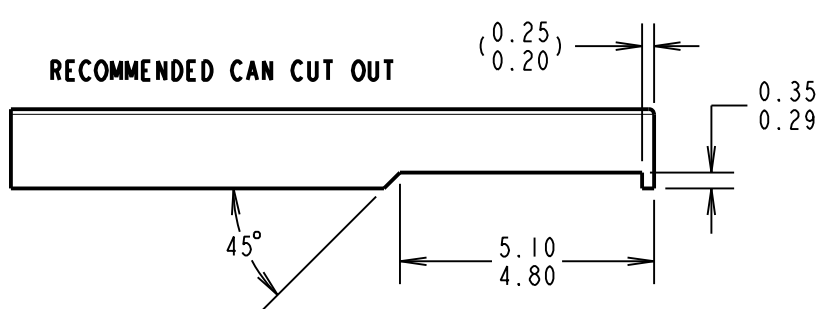
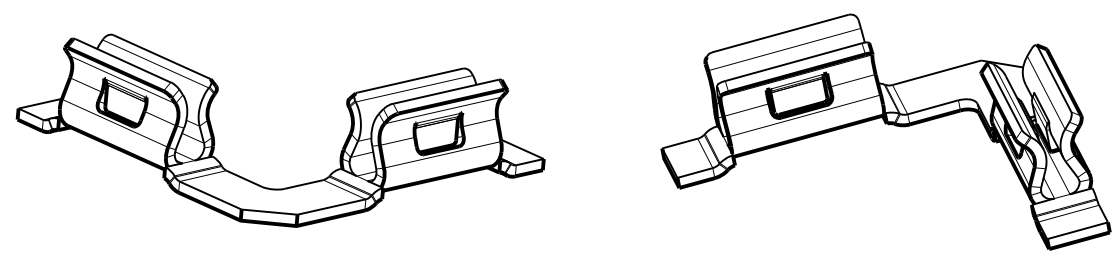
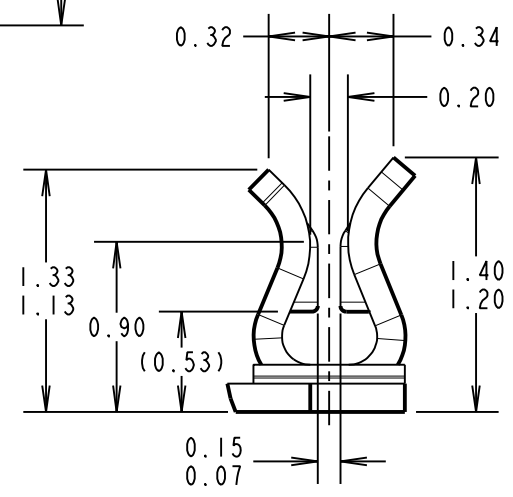
ALL DIMENSIONS IN mm



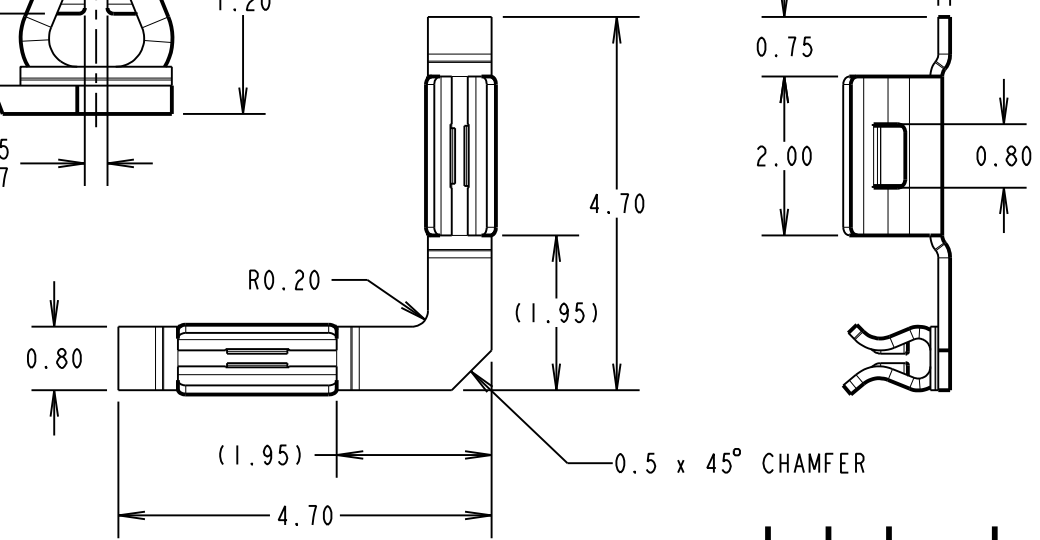
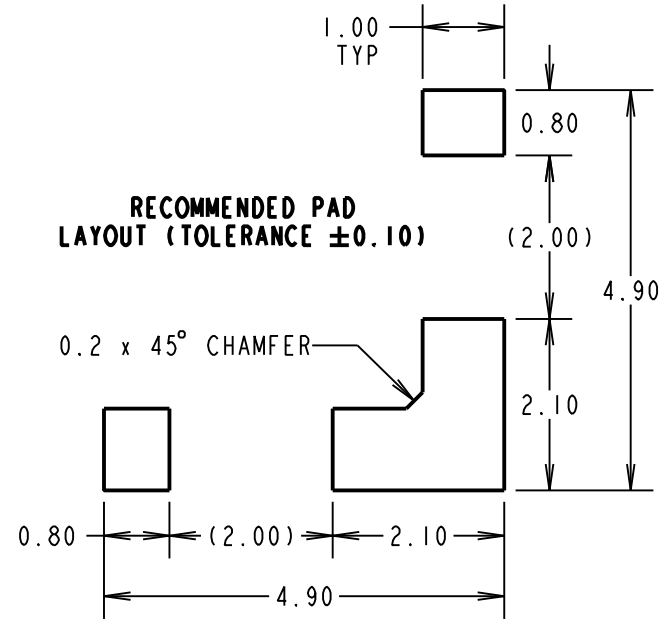
SPECIFICATION:
MATERIAL:
 CONTACT = STAINLESS STEEL
FINISH:
 2.0µm - 3.0µm TIN OVER
 0.4µm - 1.2µm NICKEL.
ELECTRICAL:
 RESISTANCE = 100mΩ MAX
MECHANICAL:
 INSERTION FORCE = 19.6N MAX
 WITHDRAWAL FORCE = 0.98N MIN
 DURABILITY = 10 CYCLES
ENVIRONMENTAL:
 OPERATING TEMPERATURE = -25°C TO +150°C
 STORAGE TEMPERATURE = -40°C TO +85°C
PACKAGING:
 6,000 PARTS IN TAPE AND REEL,
 9 REELS PACKED IN BOX.

NOTES:
 1. MAXIMUM PERMISSIBLE BURR IS 0.03mm MAX.
 2. FOR USE WITH 0.20 - 0.25mm THICK SHIELD CANS.

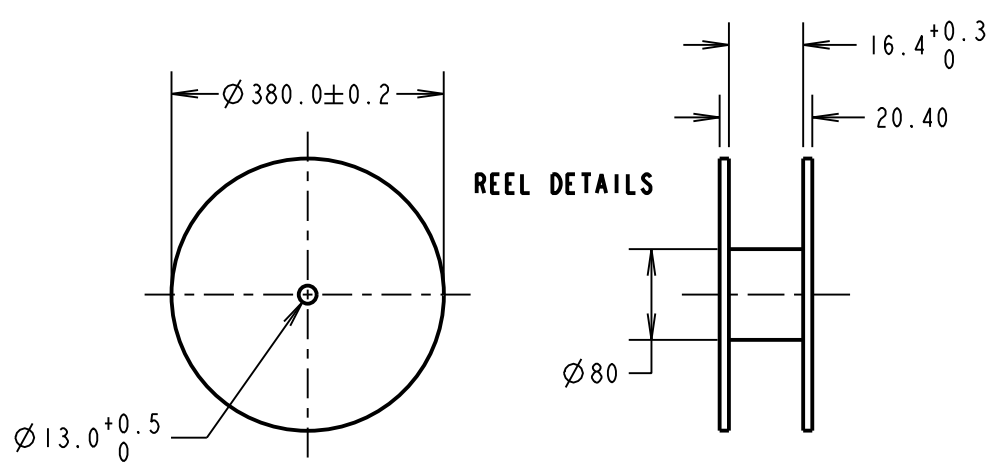
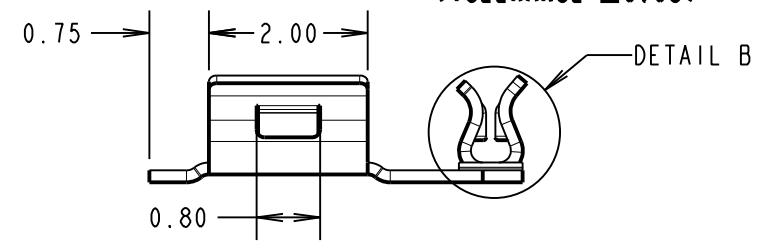
DETAIL B
SCALE 25



RECOMMENDED PAD LAYOUT (TOLERANCE ±0.10)



COMPONENT DETAILS (TOLERANCE ±0.05)



| | | | |
|----------------|------|-----------|--------|
| MSP | 3 | 28.09.16 | 13439 |
| NAME | ISS. | DATE | C/NOTE |
| APPROVED: | | M.PERREN | |
| CHECKED: | | S.BENNETT | |
| DRAWN: | | S.BENNETT | |
| CUSTOMER REF.: | | | |
| ASSEMBLY DRG: | | | |

HARWIN
 www.harwin.com
 technical@harwin.com

THIS DRAWING AND ANY INFORMATION OR DESCRIPTIVE MATTER SET OUT HEREON ARE CONFIDENTIAL AND COPYRIGHT PROPERTY OF THE HARWIN GROUP AND MUST NOT BE DISCLOSED, LOANED, COPIED OR USED FOR MANUFACTURING, TENDERING OR FOR ANY OTHER PURPOSE WITHOUT THEIR WRITTEN PERMISSION.

TOLERANCES
 X. = ±1mm
 X.X = ±0.25mm
 X.XX = ±0.10mm
 X.XXX = ±0.01mm
 ANGLES = ±5°
 UNLESS STATED

MATERIAL:
 SEE ABOVE
FINISH: SEE ABOVE
S/AREA: mm²

TITLE:
 90° SURFACE MOUNT RFI SHIELD CLIP IN TAPE AND REEL
DRAWING NUMBER:
S0981-46R
 SHT 2 OF 2