



Chipsmall Limited consists of a professional team with an average of over 10 year of expertise in the distribution of electronic components. Based in Hongkong, we have already established firm and mutual-benefit business relationships with customers from,Europe,America and south Asia,supplying obsolete and hard-to-find components to meet their specific needs.

With the principle of “Quality Parts,Customers Priority,Honest Operation,and Considerate Service”,our business mainly focus on the distribution of electronic components. Line cards we deal with include Microchip,ALPS,ROHM,Xilinx,Pulse,ON,Everlight and Freescale. Main products comprise IC,Modules,Potentiometer,IC Socket,Relay,Connector.Our parts cover such applications as commercial,industrial, and automotives areas.

We are looking forward to setting up business relationship with you and hope to provide you with the best service and solution. Let us make a better world for our industry!



## Contact us

Tel: +86-755-8981 8866 Fax: +86-755-8427 6832

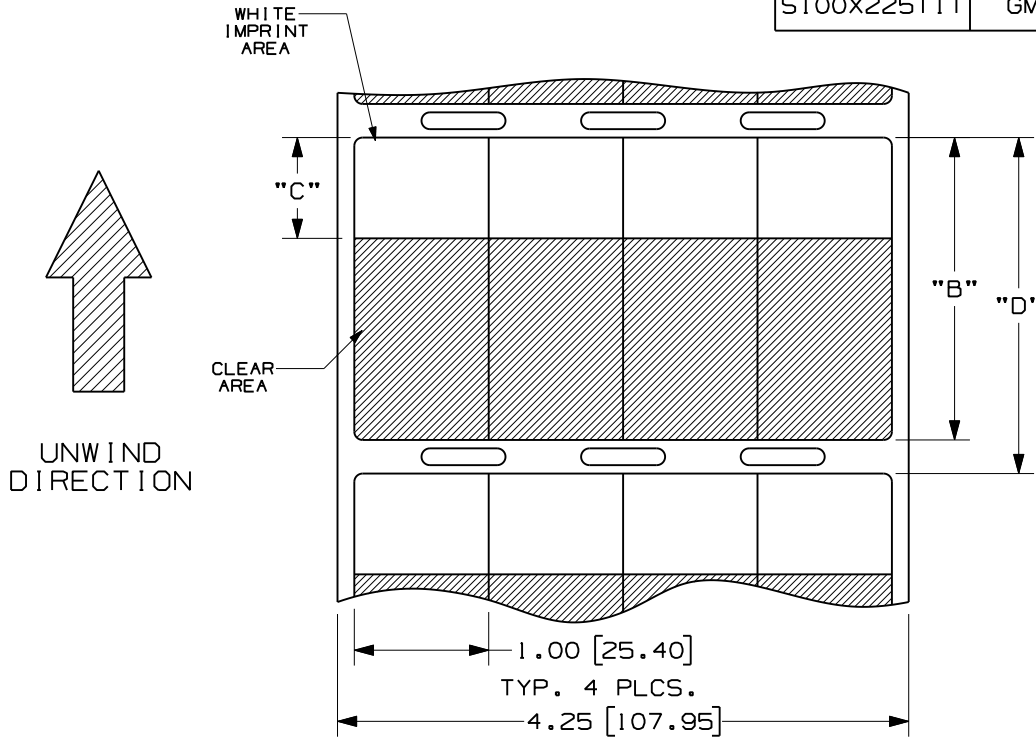
Email & Skype: info@chipsmall.com Web: www.chipsmall.com

Address: A1208, Overseas Decoration Building, #122 Zhenhua RD., Futian, Shenzhen, China



THIS COPY IS PROVIDED ON A RESTRICTED BASIS AND IS NOT TO BE USED IN ANY WAY DETRIMENTAL TO THE INTERESTS OF PANDUIT CORP.

PART NUMBER	MATERIAL	"B" HEIGHT	IMPRINT AREA "C" +/- .062	VERTICAL REPEAT "D"	LABELS PER ROW	STANDARD PKG. QTY.
S100X075T1T	GMTD1	0.75 [ 19.1 ]	0.25 [ 6.35 ]	1.00 [ 25.4 ]	4	2500
S100X125T1T	GMTD1	1.25 [ 31.8 ]	0.375 [ 9.52 ]	1.50 [ 38.1 ]	4	2500
S100X150T1T	GMTD1	1.50 [ 38.1 ]	0.50 [ 12.7 ]	1.80 [ 45.7 ]	4	2500
S100X225T1T	GMTD1	2.25 [ 57.2 ]	0.75 [ 19.1 ]	2.50 [ 63.5 ]	4	1500



NOTES:  
1. MILLIMETERS ARE IN [     ].

CAD FILENAME/LAYERS 100619PC-DC-C10871/00B

PANDUIT CORP. TINLEY PARK, ILLINOIS

CUSTOMER DRAWING  
PVDF SELF-LAM. S100X\*\*\*T1T  
THERMAL TRANSFER PRINTABLE LABELS

UNLESS OTHERWISE SPECIFIED,  
DIMENSIONAL TOLERANCES ARE:  
(.X) ± .12    (.XXX) ± .025  
(.XX) ± .062    ANGLES ±

UNLESS OTHERWISE SPECIFIED,  
ALL DIMENSIONS ARE GIVEN  
IN INCHES, THIRD ANGLE PROJECTION.

DRAWN BY  
RVU

MAT'L:

SCALE NTS

DATE  
11/15/10

SEE TABLE

DRAWING NO.  
C10871

DWG  
A  
SIZE

REV	DATE	BY	CHK	DESCRIPTION	ECN	R	CUST	SUP
0	11/15/10	RVU		DRAWING RELEASE.	6245	R		