



Chipsmall Limited consists of a professional team with an average of over 10 year of expertise in the distribution of electronic components. Based in Hongkong, we have already established firm and mutual-benefit business relationships with customers from,Europe,America and south Asia,supplying obsolete and hard-to-find components to meet their specific needs.

With the principle of “Quality Parts,Customers Priority,Honest Operation,and Considerate Service”,our business mainly focus on the distribution of electronic components. Line cards we deal with include Microchip,ALPS,ROHM,Xilinx,Pulse,ON,Everlight and Freescale. Main products comprise IC,Modules,Potentiometer,IC Socket,Relay,Connector.Our parts cover such applications as commercial,industrial, and automotives areas.

We are looking forward to setting up business relationship with you and hope to provide you with the best service and solution. Let us make a better world for our industry!



Contact us

Tel: +86-755-8981 8866 Fax: +86-755-8427 6832

Email & Skype: info@chipsmall.com Web: www.chipsmall.com

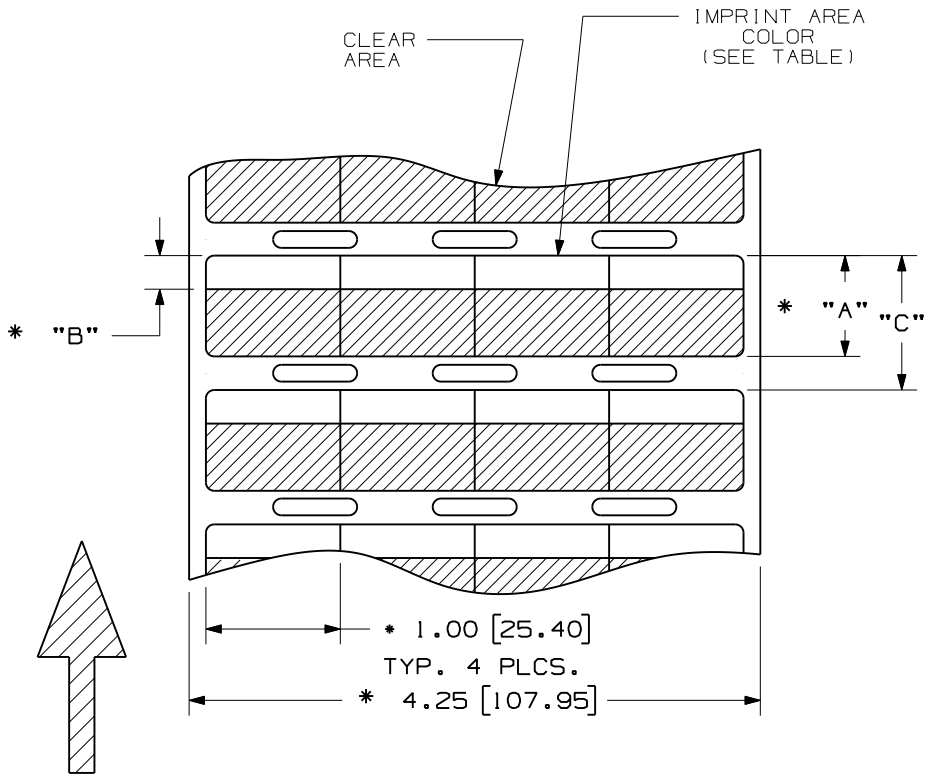
Address: A1208, Overseas Decoration Building, #122 Zhenhua RD., Futian, Shenzhen, China



THIS COPY IS PROVIDED ON A RESTRICTED BASIS AND IS NOT TO BE USED IN ANY WAY DETRIMENTAL TO THE INTERESTS OF PANDUIT CORP.



PART NUMBER	"A" DIM	"B" IMPRINT AREA	COLOR-IMPRINT AREA	"C" VERTICAL AREA	"D" DIM	LABELS PER ROW	STD. PKG. QTY.				
S100X225VBTY	2.25 (57.2)	0.75 +/- .062 (19.0 +/- 1.6)	TIA BLUE	2.50 (63.5)	.063 (1.60)	4	5,000				
S100X225VCTY			TIA TAN								
S100X225VDTY			TIA GREEN								
S100X225VETY			TIA GRAY								
S100X225VFTY			TIA ORANGE								
S100X225VGTY			TIA PURPLE								
S100X225VHTY			TIA PINK								
S100X225VITY			TIA YELLOW								
S100X225VOTY			TIA BLACK								
S100X225V9TY			TIA GOLD								
S100X150VBTY			1.50 (38.1)					0.50 +/- .062 (12.7 +/- 1.6)	TIA BLUE	1.80 (45.7)	.088 (2.24)
S100X150VCTY									TIA TAN		
S100X150VDTY	TIA GREEN										
S100X150VETY	TIA GRAY										
S100X150VFTY	TIA ORANGE										
S100X150VGTY	TIA PURPLE										
S100X150VHTY	TIA PINK										
S100X150VITY	TIA YELLOW										
S100X150VOTY	TIA BLACK										
S100X150V9TY	TIA GOLD										



NOTES:
1. MILLIMETERS ARE IN [].

UNWIND DIRECTION

CAD FILENAME/LAYERS
I00472HT-DC-C10404/06D

PANDUIT CORP. TINLEY PARK, ILLINOIS

OPTIMUM SELF-LAM. CUSTOMER DRAWING
S100X150V**Y & S100X225V**Y
THERMAL TRANSFER PRINTABLE LABELS
WITH COLOR TINTED IMPRINT AREAS

REV	DATE	BY	CHK	DESCRIPTION	ECN	R	CUST	SUP
3	8/10/12	RVU		GMV17 WAS GMV16.	GAECN00177	OO		
2	1/23/08	RVU	DWY	REMOVED "SEE MIF. NO." FROM THE TABLE. ADDED "TIA COLOR" ON TABLE.	5268	R		
1	12/20/07	RVU	DWY	GMV16 WAS GMV54CLC.	5243	R		
0	9-11-06	RVU	DWY	RELEASE TO PRODUCTION.	4671	R		

UNLESS OTHERWISE SPECIFIED, DIMENSIONAL TOLERANCES ARE: (.X) ± (.XXX) ± (.XX) ± ANGLES ±		UNLESS OTHERWISE SPECIFIED, ALL DIMENSIONS ARE GIVEN IN INCHES, THIRD ANGLE PROJECTION.	
DRAWN BY RVU	MAT'L:	SCALE NTS	
DATE 3-30-06	GMV17	DRAWING NO. C10404	
CHK'D		DWG A SIZE	