

Chipsmall Limited consists of a professional team with an average of over 10 year of expertise in the distribution of electronic components. Based in Hongkong, we have already established firm and mutual-benefit business relationships with customers from,Europe,America and south Asia,supplying obsolete and hard-to-find components to meet their specific needs.

With the principle of “Quality Parts,Customers Priority,Honest Operation,and Considerate Service”,our business mainly focus on the distribution of electronic components. Line cards we deal with include Microchip,ALPS,ROHM,Xilinx,Pulse,ON,Everlight and Freescale. Main products comprise IC,Modules,Potentiometer,IC Socket,Relay,Connector.Our parts cover such applications as commercial,industrial, and automotives areas.

We are looking forward to setting up business relationship with you and hope to provide you with the best service and solution. Let us make a better world for our industry!



Contact us

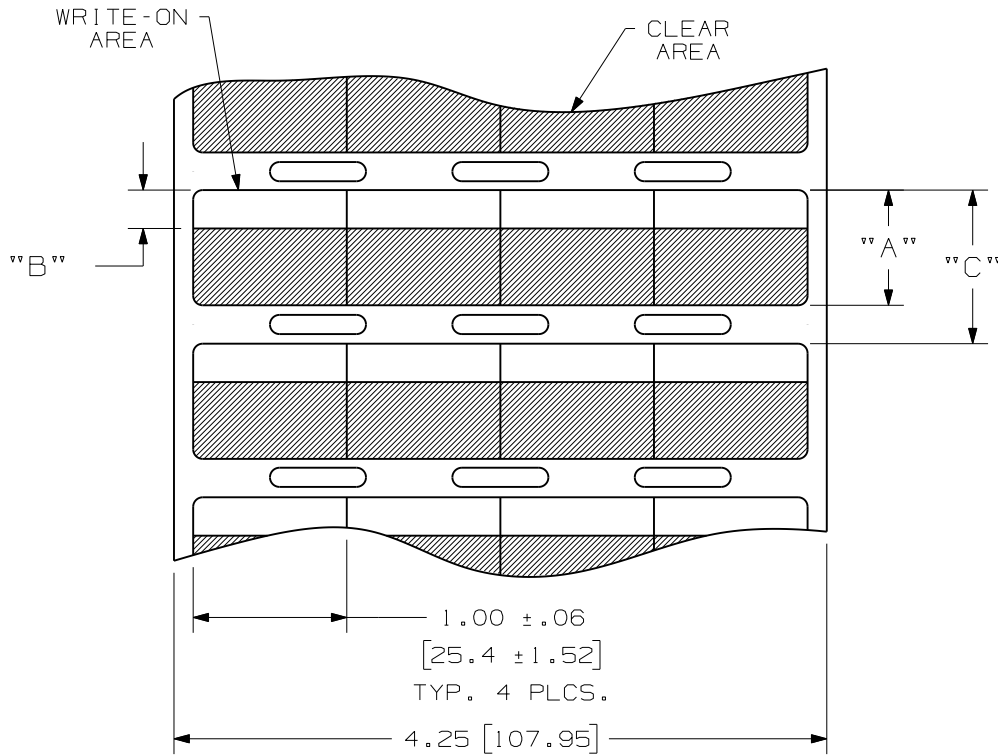
Tel: +86-755-8981 8866 Fax: +86-755-8427 6832

Email & Skype: info@chipsmall.com Web: www.chipsmall.com

Address: A1208, Overseas Decoration Building, #122 Zhenhua RD., Futian, Shenzhen, China

THIS COPY IS PROVIDED ON A RESTRICTED BASIS AND IS NOT TO BE USED IN ANY WAY DETRIMENTAL TO THE INTERESTS OF PANDUIT CORP.

PART NUMBER	MAT'L	"A" HEIGHT +/- .06	IMPRINT AREA "B" +/- .06	VERTICAL REPEAT "C" +/- .06	LABELS PER ROW	STANDARD PKG. QTY.	
S100X250TAT	GMT1	2.50 [63.5]	1.00 [25.4]	2.75 [69.85]	4	5000	
S100X400TAT		4.00 [101.6]		4.25 [108.0]		2500	
S100X075VATY	GMV16 OR GMV17	0.75 [19.0]	0.25 [6.35]	1.00 [25.4]		5000	
S100X125VATY		1.25 [31.8]	0.38 [9.53]	1.50 [38.1]			
S100X150VATY		1.50 [38.1]	0.50 [12.7]	1.80 [45.7]			
S100X160VATY		1.60 [40.64]	0.80 [20.32]	1.90 [48.26]		1000	
S100X225VATY		2.25 [57.2]	0.75 [19.0]	2.50 [63.5]		5000	
S100X250VATY		2.50 [63.50]	1.00 [25.4]	2.75 [69.85]			
S100X400VATY		7	4.00 [101.6]	1.00 [25.4]		4.25 [108.0]	2500
S100X650VATY			6.50 [165.1]			1.50 [38.1]	6.75 [171.4]



NOTE:
1. MILLIMETERS ARE IN [].

CAD FILENAME/LAYERS 100472BU_DC_C10196/09H

REV	DATE	BY	CHK	DESCRIPTION	ECN	R	CUST	SUP	DATE	CHK'D	MAT'L	SCALE	DWG
7	10/25/11	RVU		"GMV16 OR GMV17" WAS "GMV".	6548	R						NTS	A
6	12/1/08	RVU	MSAD	S100X160VATY, CHANGE STD. PKG. QTY. FROM 5000 TO 1000.	5616	R							
5	9/8/08	RVU	DAPE	REMOVED P/N: S100X075VAT, S100X125VAT, S100X150VAT, S100X225VAT, S100X400VAT, AND S100X650VAT. INCORRECT TOLERANCES. REMOVE NOTES 2, CHG. B TO A.	5539	R							
4	10/22/07	RVU	DWY	ADDED +/- .031, +/- .045, +/- .070, +/- 0.10 ON COLUMN "A" HEIGHT, IMPRINT AREA "B", AND VERTICAL REPEAT "C".	5186	R							
3	5/29/07	RVU	DWY	ADDED NEW P/N, S100X250TAT, S100X400TAT, S100X160VATY, AND S100X250VATY. REVISED MAT'L.	5021	R							
2	1-8-07	RVU	DWY	REVISED TOLERANCE.	4830	R							
1	12-19-06	RVU	DWY	ADDED RoHS COMPLIANT PANDUIT PART NUMBERS WITH SUFFIX "Y" AND MATERIAL GMV.	4671	R							
0	9-1-06	RVU	DWY	DRAWING RELEASE.									
									9-1-06		SEE TABLE		
												C10196	A

PANDUIT CORP. TINLEY PARK, ILLINOIS
CUSTOMER DRAWING
OPTIMUM SELF-LAM. S100X***VATY, TAT
THERMAL TRANSFER PRINTABLE LABELS

UNLESS OTHERWISE SPECIFIED, DIMENSIONAL TOLERANCES ARE:
(.X) ± .1 (.XXX) ± .025
(.XX) ± .06 ANGLES ±
UNLESS OTHERWISE SPECIFIED, ALL DIMENSIONS ARE GIVEN IN INCHES, THIRD ANGLE PROJECTION.

DRAWN BY RVU
DATE 9-1-06
CHK'D
SCALE NTS
DRAWING NO. C10196
DWG SIZE A