



Chipsmall Limited consists of a professional team with an average of over 10 year of expertise in the distribution of electronic components. Based in Hongkong, we have already established firm and mutual-benefit business relationships with customers from,Europe,America and south Asia,supplying obsolete and hard-to-find components to meet their specific needs.

With the principle of “Quality Parts,Customers Priority,Honest Operation,and Considerate Service”,our business mainly focus on the distribution of electronic components. Line cards we deal with include Microchip,ALPS,ROHM,Xilinx,Pulse,ON,Everlight and Freescale. Main products comprise IC,Modules,Potentiometer,IC Socket,Relay,Connector.Our parts cover such applications as commercial,industrial, and automotives areas.

We are looking forward to setting up business relationship with you and hope to provide you with the best service and solution. Let us make a better world for our industry!



## Contact us

Tel: +86-755-8981 8866 Fax: +86-755-8427 6832

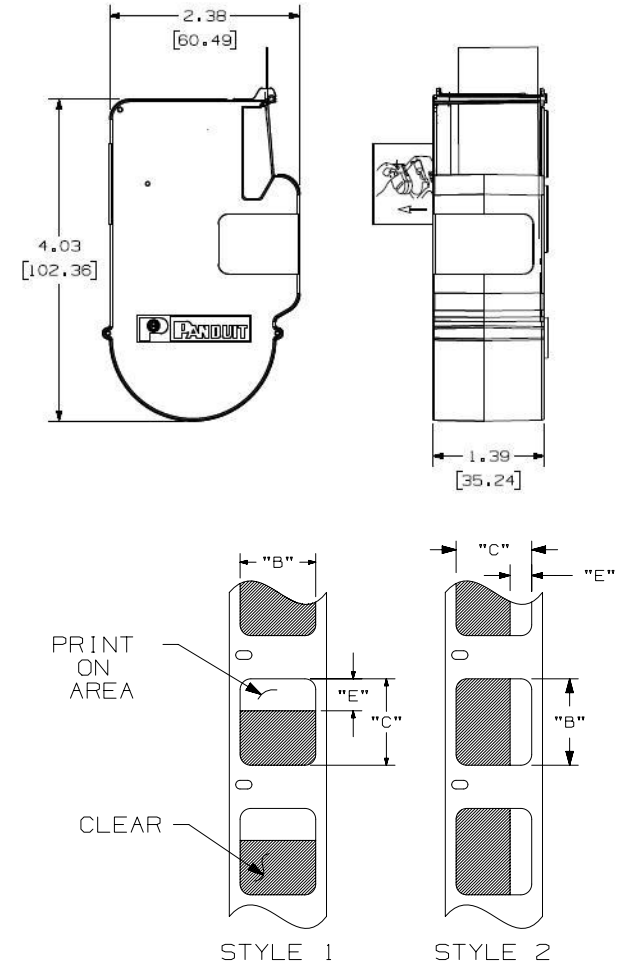
Email & Skype: info@chipsmall.com Web: www.chipsmall.com

Address: A1208, Overseas Decoration Building, #122 Zhenhua RD., Futian, Shenzhen, China



THIS COPY IS PROVIDED ON A RESTRICTED BASIS AND IS NOT TO BE USED IN ANY WAY DETRIMENTAL TO THE INTERESTS OF PANDUIT CORP.

PANDUIT PART NO.	PART DESCRIPTION	MATERIAL	STYLE	"B"	"C"	"E" ±.050	COLOR (PRINT ON AREA)	LABELS PER ROLL	
S025X075VAC	18-14 AWG WIRE	GMV17	2	0.75 [19.05]	0.25 [6.35]	0.25 [6.35]	WHITE	650	
S050X075VAC	18-14 AWG WIRE				0.50 [12.70]				
S050X125VAC	12-10 AWG WIRES		0.50 [12.70]	1.25 [31.75]	0.38 [9.65]	225			
S050X150VAC	CAT. 5e/ CAT. 6 CABLE			1.50 [38.10]	0.50 [12.70]	200			
S075X075VAC	18-14 AWG WIRE		0.75 [19.05]	0.75 [19.05]	0.25 [6.35]	350			
S075X100VAC	12-10 AWG WIRES			1.00 [25.40]	0.38 [9.65]	275			
S075X125VAC	12-10 AWG WIRES			1.25 [31.75]	0.38 [9.65]	225			
S075X150VAC	CAT. 5e/ CAT. 6 CABLE		1.00 [25.40]	1.50 [38.10]	0.50 [12.70]	200			
S100X075VAC	18-14 AWG WIRE			0.75 [19.05]	0.25 [6.35]	350			
S100X125VAC	12-10 AWG WIRES			1.25 [31.75]	0.38 [9.65]	225			
S100X150VAC	CAT. 5e/ CAT. 6 CABLE			1.50 [38.10]	0.50 [12.70]	200			
S100X160VAC	NWSLC-2Y AND NWSLC-3Y		1.60 [40.64]	1.60 [40.64]	0.80 [20.32]	175			
S100X220VAC	NWSLC-7Y			2.20 [55.88]	1.10 [27.94]	125			
S100X150VBC	CAT. 5e/ CAT. 6 CABLE		4	1.00 [25.40]	1.50 [38.10]	0.50 [12.70]		BLUE	200
S100X150VDC	CAT. 5e/ CAT. 6 CABLE							GREEN	
S100X150VHC	CAT. 5e/ CAT. 6 CABLE							RED	
S100X150VIC	CAT. 5e/ CAT. 6 CABLE							YELLOW	
S100X225VAC	8-4 AWG CABLE							WHITE	
S100X225VBC	8-4 AWG WIRES		2.25 [57.15]	0.75 [19.05]	BLUE	125			
S100X225VDC	8-4 AWG WIRES				GREEN				
S100X225VHC	8-4 AWG WIRES	RED							
S100X225VIC	8-4 AWG WIRES	YELLOW							
S100X400VAC	1-2 AWG WIRES	4.00 [101.60]	1.00 [25.40]	WHITE	75				
S100X650VAC	1/0-250 MCM WIRES			6.50 [165.10]	1.50 [38.10]	50			



NOTES:  
1. DIMENSIONS IN [ ] ARE IN MILLIMETERS.

REV	DATE	BY	CHK	APR	DESCRIPTION	ECN
4	1/18/17	RVU	JW	JHAC	Change Reference Material from GMV16 to GMV17.	GAECN03532
3	3/9/12	RVU	SEWH	MSAD	CHANGE STYLE 1.00 TO 1 AND LABEL/ROLL, 50.00 TO 50.	6588
2	9/15/10	RVU	SEWH	MSAD	add a new label- S025X075VAC. 650 labels/cassette. "C", 0.25.	6144
1	5/18/10	RVU	SEWH	MSAD	GMV16 WAS GMV15.	6052
0	4/21/08	RVU	SEWH	MSAD	DRAWING RELEASE.	5403

TITLE	
<b>P1 LABEL CASSETTE SELF-LAMINATING LABEL</b> CUSTOMER DRAWING	
ITEM REVISION NAME	100743SR/16
DATASET FILE NAME	100743SR_DC_C10694/16E
UNLESS OTHERWISE SPECIFIED, DIMENSIONAL TOLERANCES ARE: IN [mm]	
.x ± .1 [2.54]	.xxx ± .005 [0.127]
.xx ± .01 [0.25]	ANGLES ± 5°
THIRD ANGLE PROJECTION	
DRAWING NUMBER: C10694	
DRAWN BY	RVU
DATE	4/22/08
CHK	JHAC
SCALE	NTS
SHT 1 OF 1	
SIZE	A