



Chipsmall Limited consists of a professional team with an average of over 10 year of expertise in the distribution of electronic components. Based in Hongkong, we have already established firm and mutual-benefit business relationships with customers from,Europe,America and south Asia,supplying obsolete and hard-to-find components to meet their specific needs.

With the principle of “Quality Parts,Customers Priority,Honest Operation,and Considerate Service”,our business mainly focus on the distribution of electronic components. Line cards we deal with include Microchip,ALPS,ROHM,Xilinx,Pulse,ON,Everlight and Freescale. Main products comprise IC,Modules,Potentiometer,IC Socket,Relay,Connector.Our parts cover such applications as commercial,industrial, and automotives areas.

We are looking forward to setting up business relationship with you and hope to provide you with the best service and solution. Let us make a better world for our industry!



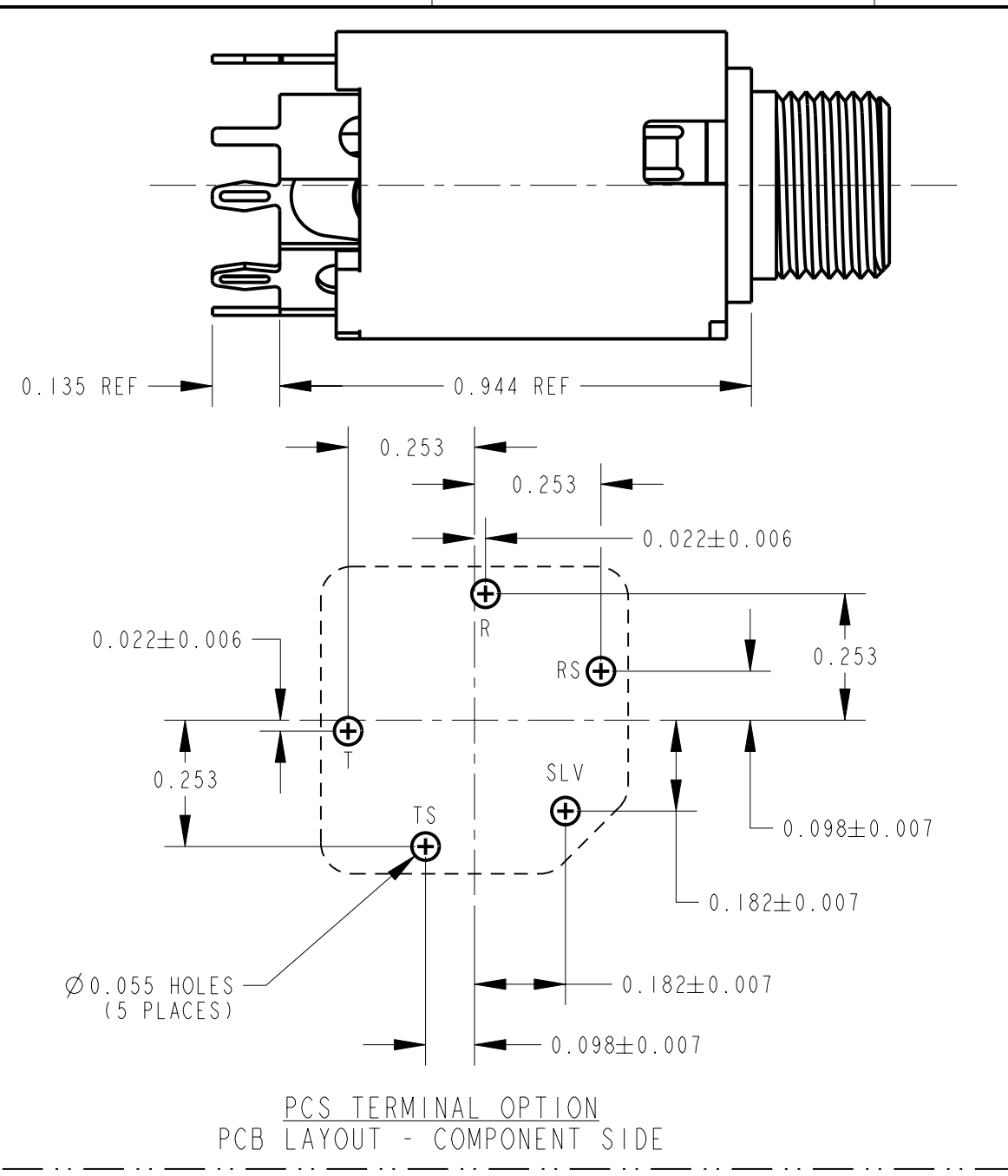
## Contact us

Tel: +86-755-8981 8866 Fax: +86-755-8427 6832

Email & Skype: info@chipsmall.com Web: www.chipsmall.com

Address: A1208, Overseas Decoration Building, #122 Zhenhua RD., Futian, Shenzhen, China





S -  $\varnothing 0.210$  BUSHING I.D.

MS - "M" - GOLD PLATED SPRINGS WITH GOLD ALLOY CONTACTS ON RING SPRINGS AND SHUNT SPRINGS (WHEN SHUNT SPRINGS ARE USED)

"S" -  $\varnothing 0.210$  BUSHING I.D.

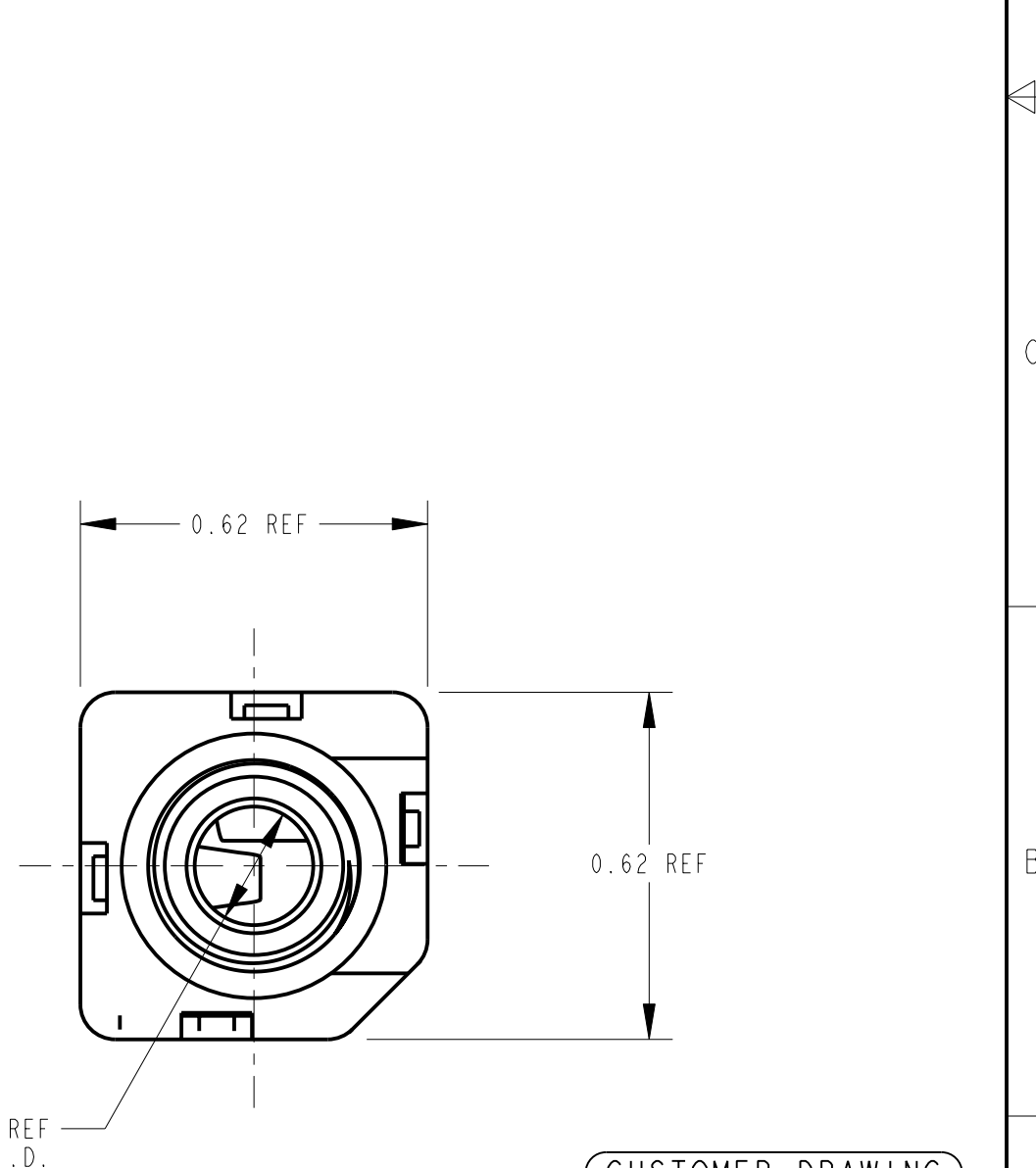
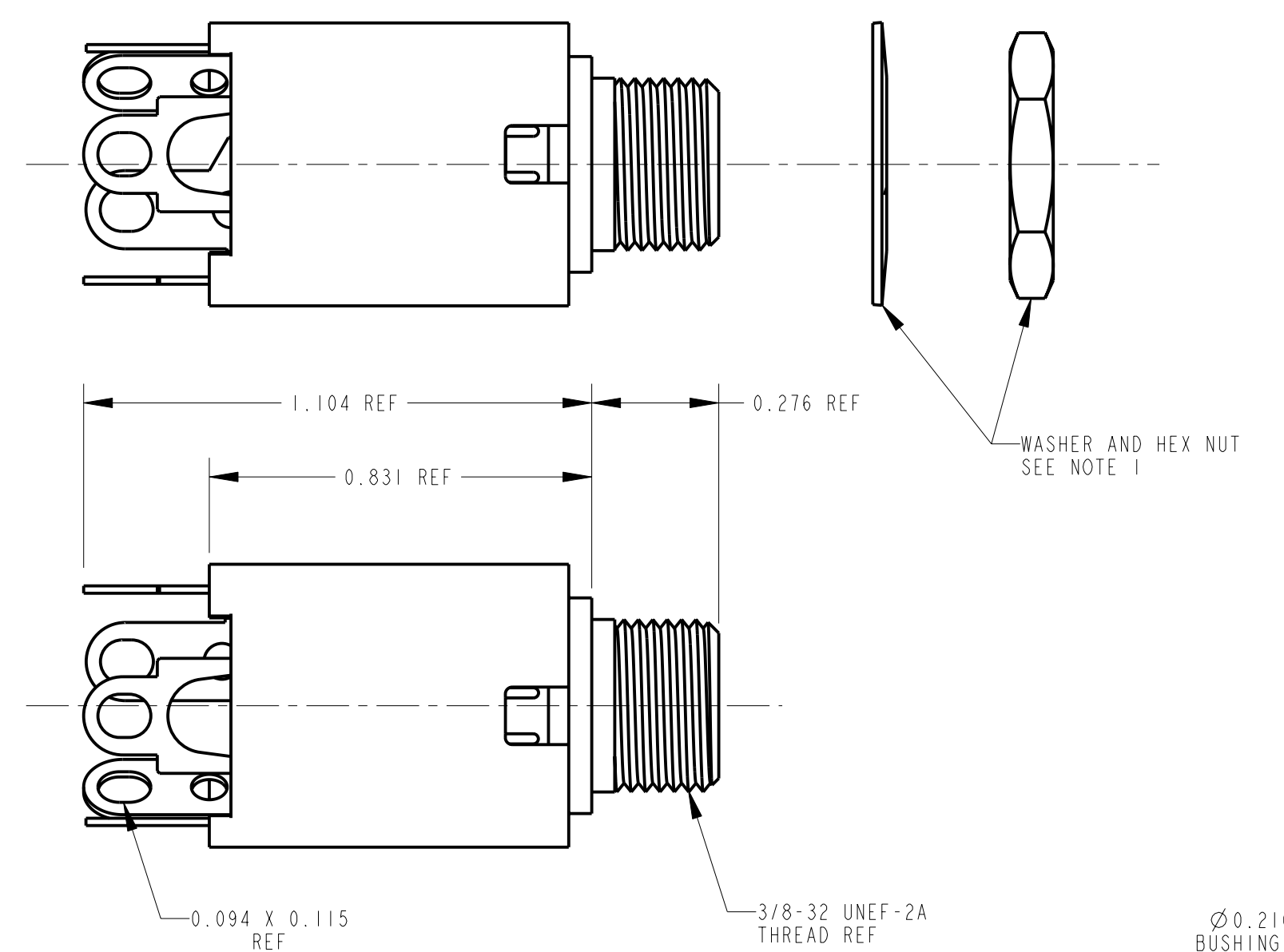
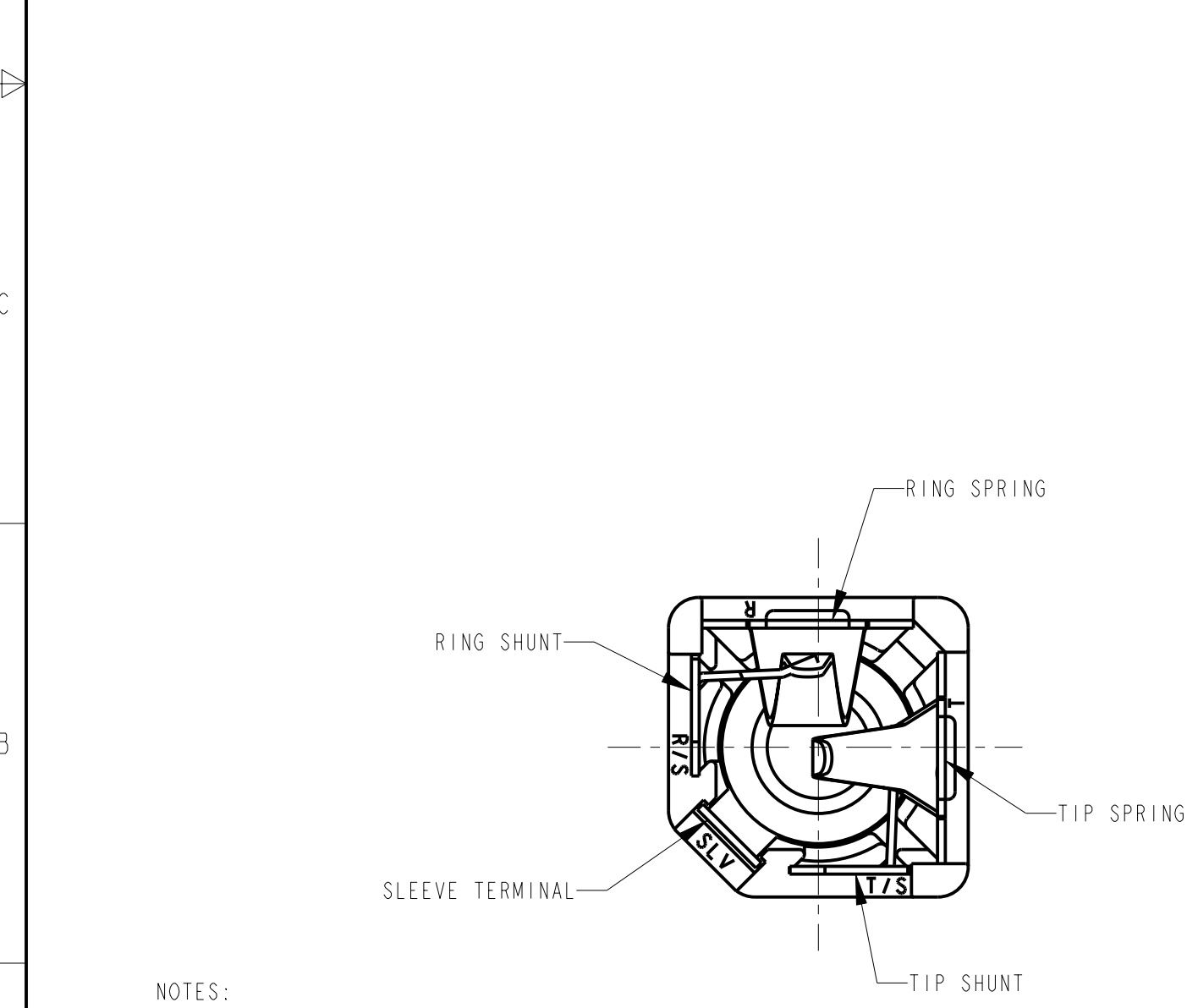
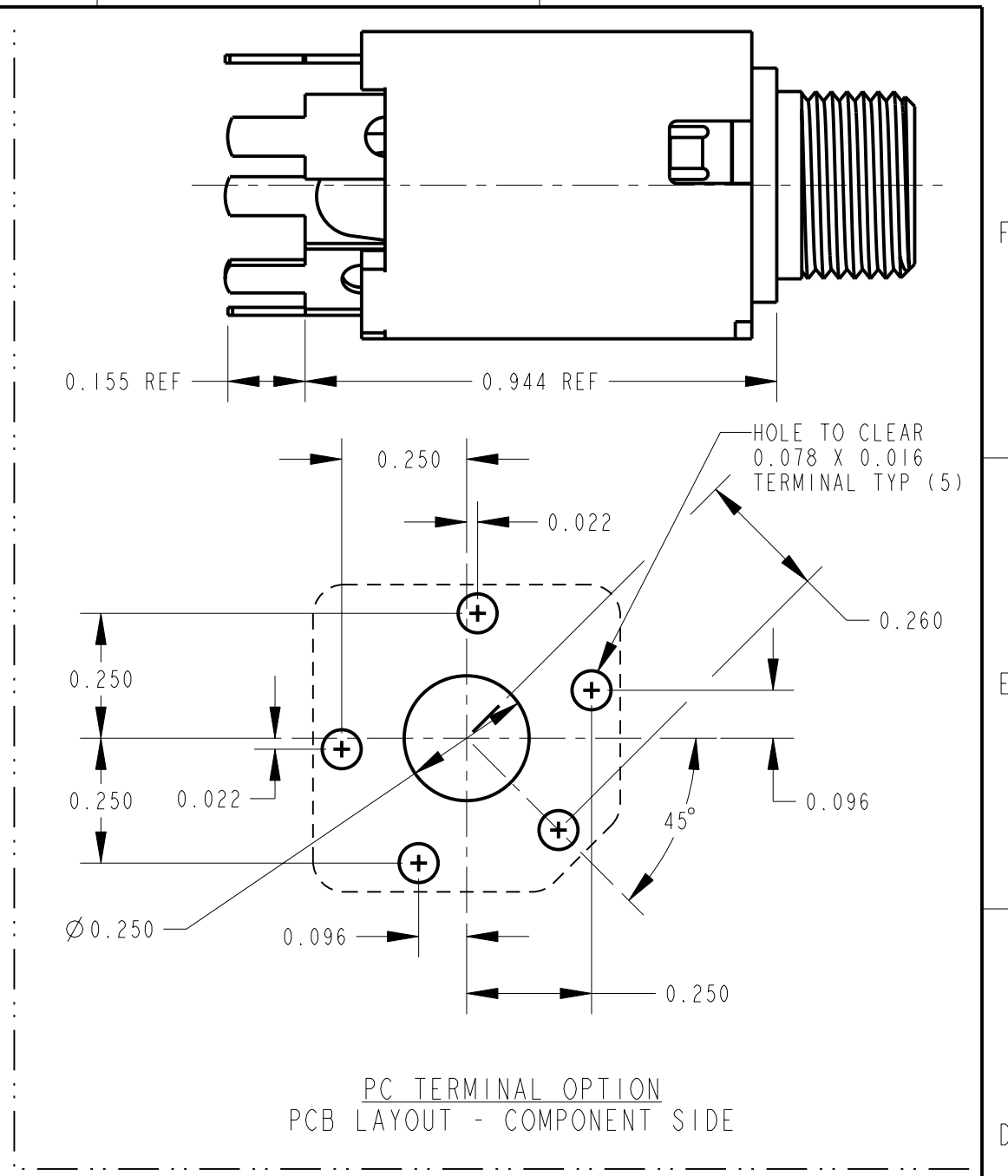
11 X

RoHS COMPLIANT

TERMINAL OPTIONS:  
 BLANK - SOLDER TERMINAL  
 PC - 0.078 WIDE PC TAILS  
 PCS - SNAP-IN PC TAILS

CIRCUITRY:

1 - TIP OPEN CIRCUIT	
2A - TIP CLOSED CIRCUIT	
2B - TIP & RING OPEN CIRCUIT	
3 - TIP OPEN CIRCUIT AND ISOLATE "MAKE" CIRCUIT	
3B - TIP CLOSED CIRCUIT AND RING OPEN CIRCUIT (I-C TRANSFER)	
3D - 1 TIP CLOSED CIRCUIT AND 1 TIP OPEN CIRCUIT	
3E - TIP OPEN CIRCUIT AND ISOLATED "BREAK" CIRCUIT	
3F - TIP OPEN CIRCUIT AND RING CLOSED CIRCUIT	
4B - TIP & RING CLOSED CIRCUIT	



- NOTES:
- HARDWARE SHIPPED UNASSEMBLED.
  - MAXIMUM PANEL THICKNESS: 0.156
  - MATERIALS:  
 HOUSING - POLYESTER GLASS FILLED, BLACK  
 BUSHING - BRASS, NICKEL PLATED  
 SLEEVE TERMINAL - BRASS, LEAD FREE ELECTRO-TIN PLATED  
 SPRINGS - NICKEL SILVER, LEAD FREE ELECTRO-TIN PLATED  
 LIFTERS - NYLON (113 & 113E CIRCUIT OPTIONS)  
 WASHER - STEEL, NICKEL PLATED  
 NUT - BRASS, NICKEL PLATED
  - THIS PRODUCT IS RoHS COMPLIANT.

SOLDER TERMINAL OPTION

REV	ECO NUMBER	DATE	BY	APVD
A	26032	3-25-11	TJK	TJK
REVISIONS				

★ STAR SYMBOL DENOTES CRITICAL DIMENSION

UNLESS OTHERWISE SPECIFIED

- ALL DIMENSIONS IN INCHES  
 - TWO PLACE DECIMALS  $\pm 0.01$   
 - THREE PLACE DECIMALS  $\pm 0.005$   
 - ANGLES  $\pm 1^\circ$   
 - ALL DIA. CONCENTRIC WITHIN 0.005 T.I.R.
- FEATURES ON THE SAME CENTERLINE MUST BE ALIGNED WITHIN  $\pm 0.002$
- REMOVE ALL BURRS

DO NOT SCALE DRAWING

CUSTOMER DRAWING

SIZE	WIDTH	MULT	LBS/M	TEMPER
FINISH		MATERIAL		
SPEC No.		SPEC No.		
FIRST USED ON		SCALE		
		3:1		
DATE DRAWN	BY	CHKD	APVD	
1-24-07	TJK	TJK	TJK	
		1-24-07	1-24-07	
NAME		PART No.		REV
3/8-32 THREADED BUSHING		S110X SERIES		A
$\varnothing 0.21$ I.D. HI-D JACK ASSY, RoHS		MS110X SERIES		

**Switchcraft**

SHEET | OF |