



Chipsmall Limited consists of a professional team with an average of over 10 year of expertise in the distribution of electronic components. Based in Hongkong, we have already established firm and mutual-benefit business relationships with customers from,Europe,America and south Asia,supplying obsolete and hard-to-find components to meet their specific needs.

With the principle of “Quality Parts,Customers Priority,Honest Operation,and Considerate Service”,our business mainly focus on the distribution of electronic components. Line cards we deal with include Microchip,ALPS,ROHM,Xilinx,Pulse,ON,Everlight and Freescale. Main products comprise IC,Modules,Potentiometer,IC Socket,Relay,Connector.Our parts cover such applications as commercial,industrial, and automotives areas.

We are looking forward to setting up business relationship with you and hope to provide you with the best service and solution. Let us make a better world for our industry!



## Contact us

Tel: +86-755-8981 8866 Fax: +86-755-8427 6832

Email & Skype: info@chipsmall.com Web: www.chipsmall.com

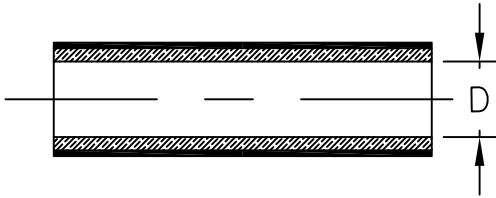
Address: A1208, Overseas Decoration Building, #122 Zhenhua RD., Futian, Shenzhen, China



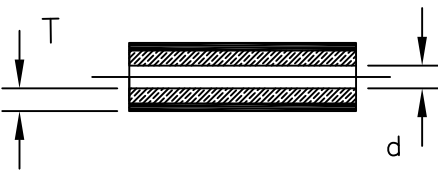
LOC	DIST	REVISIONS					
—	—	P	LTR	DESCRIPTION	DATE	DWN	APVD
		A		INITIAL REVISION	26FEB2015	HD	CD

Component 1 HTAT-12/3-0

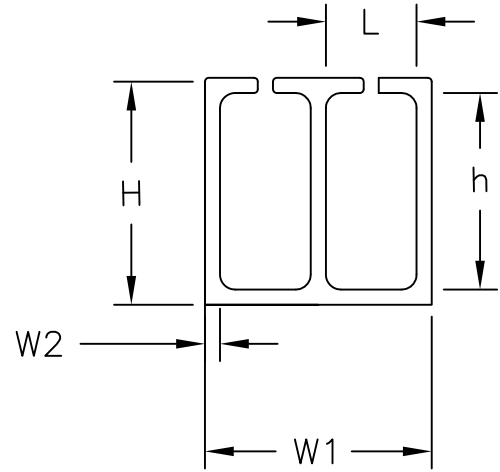
a) Part as supplied



b) Part fully recovered



Component 2 RBK-105-NR5020/A-X



PRODUCT DIMENSIONS & NOTES

DIMENSIONS (in millimetres)

Component 1: HTAT-12/3-0			Component 2: RBK-105-NR5020/A-X				
D	d	T	H	h	L	W1	W2
MIN	MAX	NOM	±20%	±20%	±20%	±20%	±30%
a	b	b					
12.0	3.0	1.4	8.55	6.50	2.75	8.50	1.0
Supplied cut length 55mm ±3.0mm			Supplied cut length 8mm ±0.8mm				
<b>MATERIAL:</b>			<b>MATERIAL:</b>				
JACKET: Flame Retarded Modified Polyolefin (Colour: Black)			Hot Melt Adhesive (Colour: Amber)				
LINER: Hot Melt Adhesive (Colour: Amber)							
The Kit will be supplied in a standard box containing 1000 pieces of each individual component.							

RELEASED FOR PUBLICATION

ALL RIGHTS RESERVED.

By - TE Connectivity

THIS DRAWING IS UNPUBLISHED.

© COPYRIGHT 2015

DIMENSIONS: mm	DWN	HD	26FEB2015	MATERIAL	—	FINISH	—
	CHK	CD	26FEB2015				
TOLERANCES UNLESS OTHERWISE SPECIFIED:	APVD	CD	26FEB2015				
0 PLC ± -	PRODUCT SPEC			NAME			
1 PLC ± -	RW-2102			RBK-105-KIT-0702-A0			
2 PLC ± -	APPLICATION SPEC			—			
3 PLC ± -	SIZE	CAGE CODE	DRAWING NO	RESTRICTED TO			
4 PLC ± -	—	—	—	—			
ANGLES ± -	WEIGHT	1.35 kg		A4	—	© 453703-000	
CUSTOMER DRAWING				SCALE	NTS	SHEET	1 OF 1
						REV	A