



Chipsmall Limited consists of a professional team with an average of over 10 year of expertise in the distribution of electronic components. Based in Hongkong, we have already established firm and mutual-benefit business relationships with customers from,Europe,America and south Asia,supplying obsolete and hard-to-find components to meet their specific needs.

With the principle of "Quality Parts,Customers Priority,Honest Operation,and Considerate Service",our business mainly focus on the distribution of electronic components. Line cards we deal with include Microchip,ALPS,ROHM,Xilinx,Pulse,ON,Everlight and Freescale. Main products comprise IC,Modules,Potentiometer,IC Socket,Relay,Connector.Our parts cover such applications as commercial,industrial, and automotives areas.

We are looking forward to setting up business relationship with you and hope to provide you with the best service and solution. Let us make a better world for our industry!



Contact us

Tel: +86-755-8981 8866 Fax: +86-755-8427 6832

Email & Skype: info@chipsmall.com Web: www.chipsmall.com

Address: A1208, Overseas Decoration Building, #122 Zhenhua RD., Futian, Shenzhen, China



Customer Information Sheet

DRAWING No.: SI411-XXR

SHEET 2 OF 2

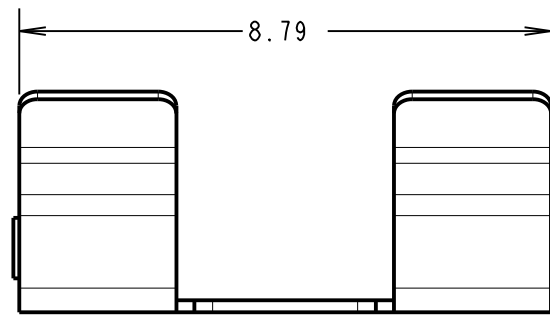
IF IN DOUBT - ASK

©

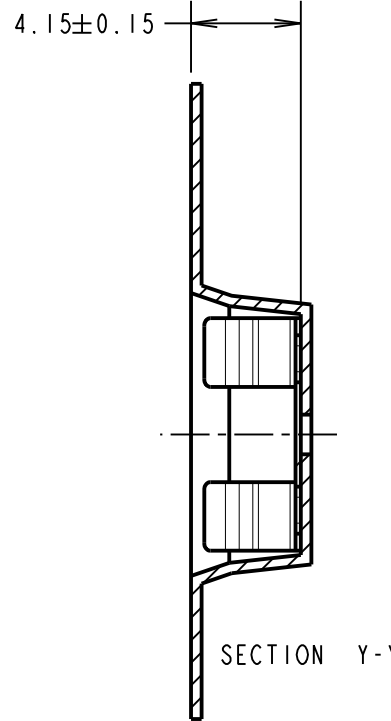
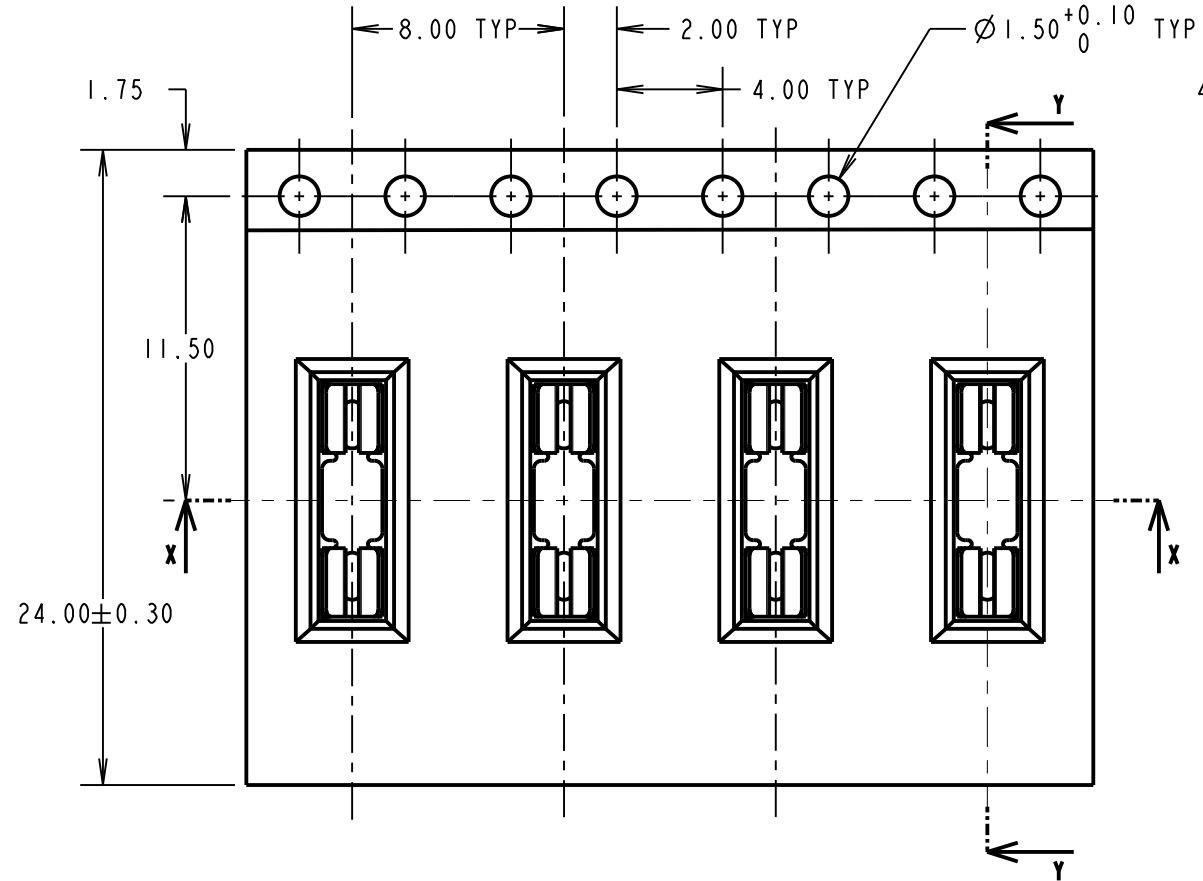
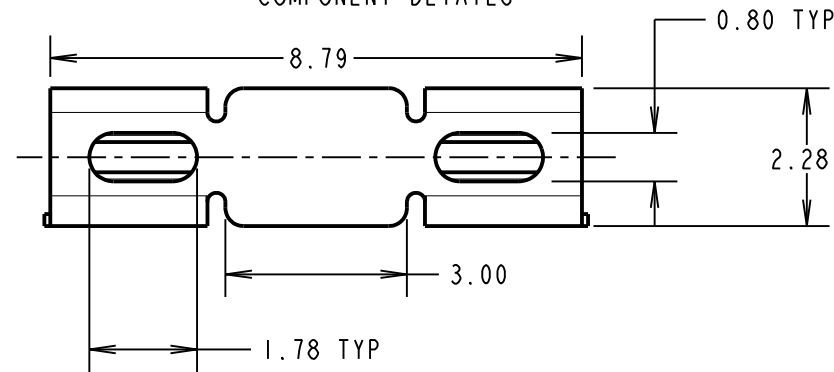
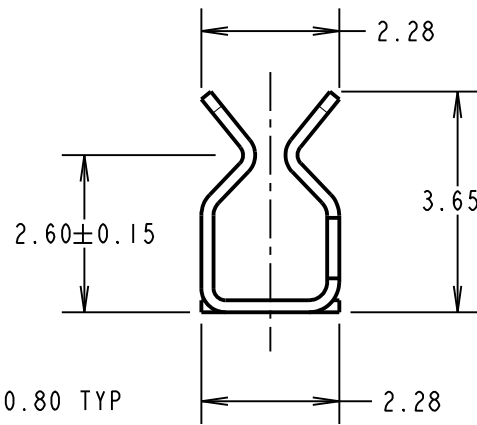
NOT TO SCALE

THIRD ANGLE PROJECTION

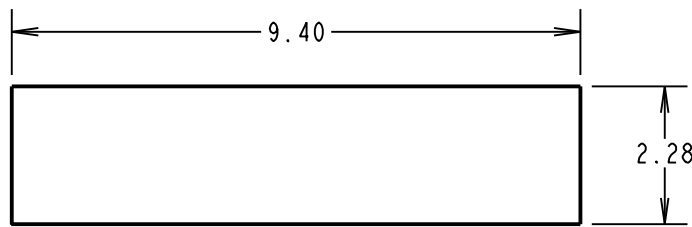
ALL DIMENSIONS IN mm



COMPONENT DETAILS

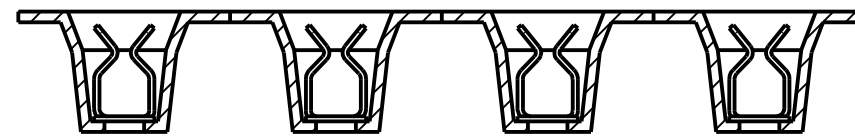
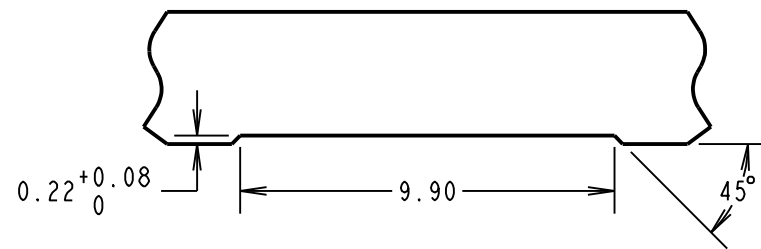


SECTION Y-Y



RECOMMENDED PAD LAYOUT

RECOMMENDED SHIELD CAN CUT OUT



SECTION X-X

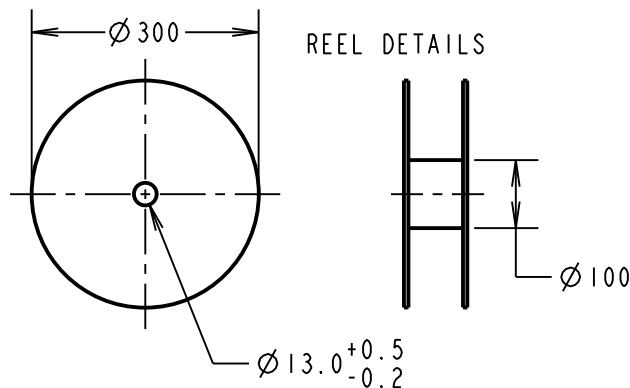
ORDER CODE:

SI411-XXR

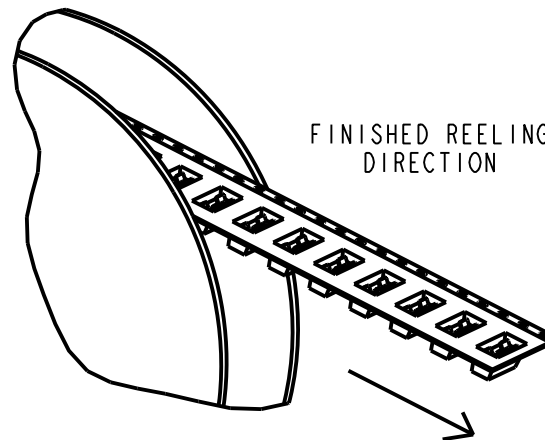
FINISH: _____
06 = TIN/LEAD
46 = TIN

COMPONENT SPECIFICATION:
MATERIAL = BERYLLIUM COPPER
FINISH:
06 = 3µ 90/10 TIN/LEAD
46 = 3µ 100% TIN

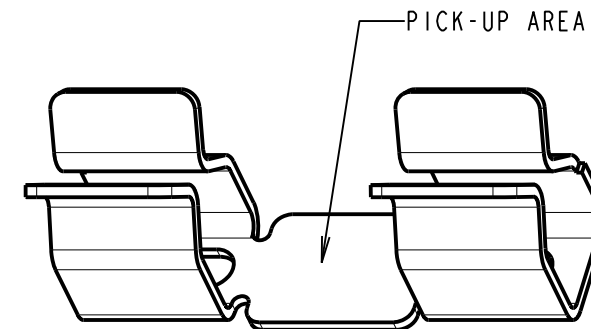
PERFORMANCE SPECIFICATIONS:
INSERTION FORCE (AFTER CONDITIONING):
0.7mm SHIELD = 4.5N MAX
1.0mm SHIELD = 7N MAX
WITHDRAWAL FORCE:
0.7mm SHIELD = 0.8N MIN
1.0mm SHIELD = 1.5N MIN
DURABILITY = 20 INSERTIONS MINIMUM
CONTACT RESISTANCE = 20mΩ MAX
SHIELD THICKNESS = 0.7-1.0mm



REEL DETAILS



FINISHED REELING DIRECTION



PICK-UP AREA

SB	5	18.08.16	13115
NAME	ISS.	DATE	C/NOTE
APPROVED: S.BENNETT			
CHECKED: M.PERREN			
DRAWN: M.PLESTED			
CUSTOMER REF.:			
ASSEMBLY DRG:			

- NOTES:
1. QUANTITY PER REEL = 1,900.
 2. THIS PRODUCT IS TAPED AND REELED IN ACCORDANCE WITH EIA-481 (ELECTRONIC INDUSTRIES ASSOCIATION).
 3. ALL SPECIFICATIONS SUBJECT TO VERIFICATION.

HARWIN

www.harwin.com
technical@harwin.com

THIS DRAWING AND ANY INFORMATION OR DESCRIPTIVE MATTER SET OUT HEREON ARE CONFIDENTIAL AND COPYRIGHT PROPERTY OF THE HARWIN GROUP AND MUST NOT BE DISCLOSED, LOANED, COPIED OR USED FOR MANUFACTURING, TENDERING OR FOR ANY OTHER PURPOSE WITHOUT THEIR WRITTEN PERMISSION.

TOLERANCES

X. = ±1mm
X.X = ±0.50mm
X.XX = ±0.10mm
X.XXX = ±0.01mm
ANGLES = ±5°
UNLESS STATED

MATERIAL:

SEE ABOVE

FINISH:

SEE ABOVE

S/AREA:

mm²

TITLE:

SMT RFI SHIELD CLIP
IN TAPE AND REEL

DRAWING NUMBER:

SI411-XXR

SHT
2 OF 2