



Chipsmall Limited consists of a professional team with an average of over 10 year of expertise in the distribution of electronic components. Based in Hongkong, we have already established firm and mutual-benefit business relationships with customers from,Europe,America and south Asia,supplying obsolete and hard-to-find components to meet their specific needs.

With the principle of "Quality Parts,Customers Priority,Honest Operation,and Considerate Service",our business mainly focus on the distribution of electronic components. Line cards we deal with include Microchip,ALPS,ROHM,Xilinx,Pulse,ON,Everlight and Freescale. Main products comprise IC,Modules,Potentiometer,IC Socket,Relay,Connector.Our parts cover such applications as commercial,industrial, and automotives areas.

We are looking forward to setting up business relationship with you and hope to provide you with the best service and solution. Let us make a better world for our industry!



## Contact us

Tel: +86-755-8981 8866 Fax: +86-755-8427 6832

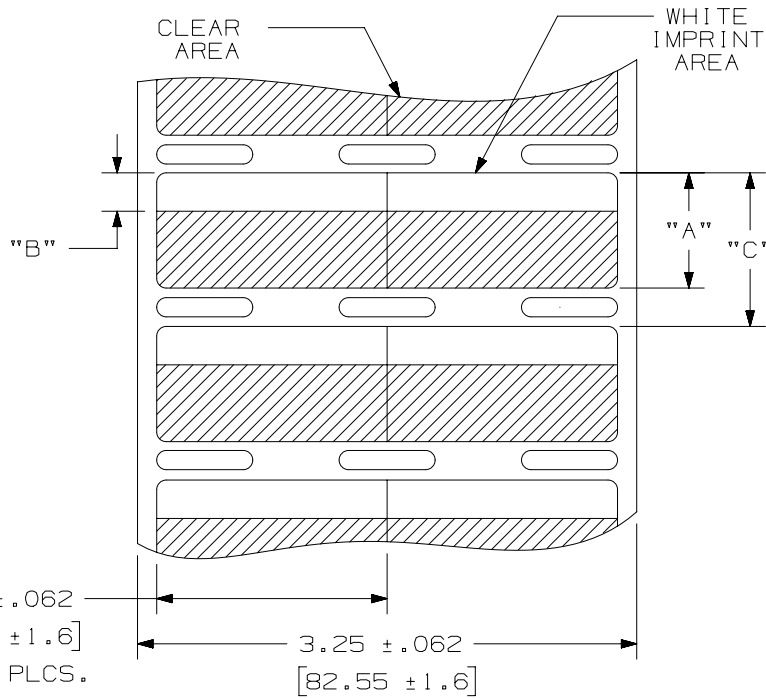
Email & Skype: info@chipsmall.com Web: www.chipsmall.com

Address: A1208, Overseas Decoration Building, #122 Zhenhua RD., Futian, Shenzhen, China



THIS COPY IS PROVIDED ON A RESTRICTED BASIS AND IS NOT TO BE USED IN ANY WAY DETRIMENTAL TO THE INTERESTS OF PANDUIT CORP.

PART NUMBER	MATERIAL	"A" HEIGHT +/- .062	IMPRINT AREA "B" +/- .062	VERTICAL REPEAT "C" +/- .062	LABELS PER ROW	STANDARD PKG. QTY.
S150X150VATY	GMV16 OR GMV17	1.50 [ 38.1 ]	0.50 [ 12.7 ]	1.75 [ 44.45 ]	2	5000
S150X225VATY		2.25 [ 57.2 ]	0.75 [ 19.1 ]	2.50 [ 63.5 ]		2500
S150X400VATY		4.00 [ 101.6 ]	1.00 [ 25.4 ]	4.25 [ 108.0 ]		



NOTE:  
1. MILLIMETER ARE IN [ ].

REV	DATE	BY	CHK	APR	DESCRIPTION	ECN
9	8/11/16	RVU	SEWH	JHAC	4.25 [108.0] WAS 4.25 [114.3].	GAECN03563
8	9/25/13	RVU	SEWH	MSAD	2500 WAS 5000 FOR S150X400VATY ONLY.	GAECN01219
7	####	RVU	SEWH	MSAD	REMOVE PN, S150X225TAT.	GAECN01163
6	10/25/11	RVU		MSAD	"GMV16 OR GMV17" WAS "GMV".	6548

TITLE <b>S150X***VATY OPTIMUM SELF-LAMINATING THERMAL TRANSFER PRINTABLE LABELS CUSTOMER DRAWING</b>	
ITEM REVISION NAME 100701MV/11	<b>PANDUIT</b>
DATASET FILE NAME 100701MV_DC_C10438/11K	
UNLESS OTHERWISE SPECIFIED, DIMENSIONAL TOLERANCES ARE: IN [ mm ]	
.x ± .12 [ 3.04 ] .xxx ± .025 [ .635 ]	DRAWING NUMBER: C10438
.xx ± .062 [ 1.57 ] ANGLES ±	
THIRD ANGLE PROJECTION	
DRAWN BY RVU	DATE 8/4/06
CHK MSAD	SCALE NTS
SHT 1 OF 1	
SIZE A	

D10100DA/16