



Chipsmall Limited consists of a professional team with an average of over 10 year of expertise in the distribution of electronic components. Based in Hongkong, we have already established firm and mutual-benefit business relationships with customers from,Europe,America and south Asia,supplying obsolete and hard-to-find components to meet their specific needs.

With the principle of “Quality Parts,Customers Priority,Honest Operation,and Considerate Service”,our business mainly focus on the distribution of electronic components. Line cards we deal with include Microchip,ALPS,ROHM,Xilinx,Pulse,ON,Everlight and Freescale. Main products comprise IC,Modules,Potentiometer,IC Socket,Relay,Connector.Our parts cover such applications as commercial,industrial, and automotives areas.

We are looking forward to setting up business relationship with you and hope to provide you with the best service and solution. Let us make a better world for our industry!



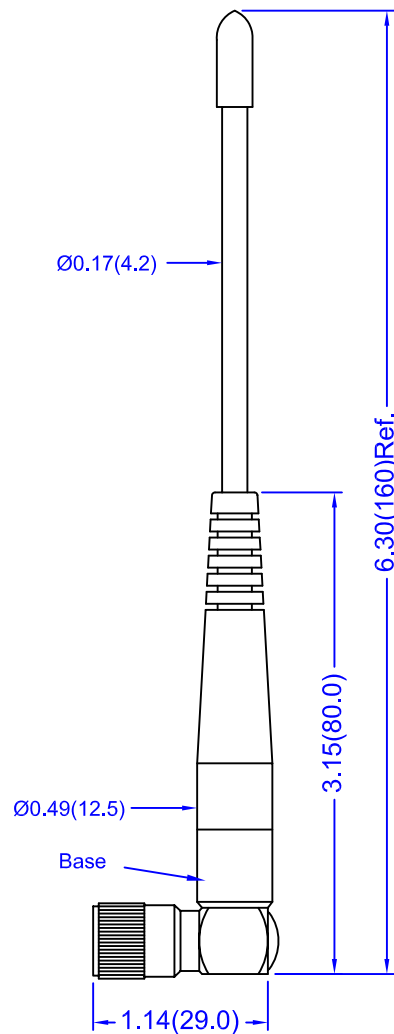
Contact us

Tel: +86-755-8981 8866 Fax: +86-755-8427 6832

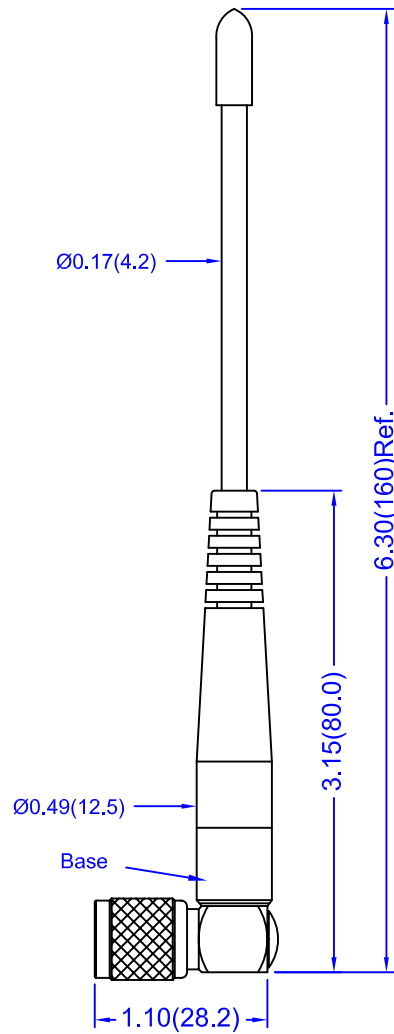
Email & Skype: info@chipsmall.com Web: www.chipsmall.com

Address: A1208, Overseas Decoration Building, #122 Zhenhua RD., Futian, Shenzhen, China





SMA type
Connector



TNC plug
Connector

Electrical Properties:

Frequency Range: 867~869MHz
 Impedance: 50Ω nominal
 VSWR: <2.0:1
 Gain: 2.5 dBi
 Radiation: Omni
 Polarization: Vertical
 Wave: ½wave loaded

Mechanical Properties:

Material:
 Whip: Wire (Black)
 Base: Polyacetal(Black)
 Connector: Brass with nickel
 plating(Black)
 Operation Temp.: -20°C to +65°C
 Storage Temp.: -30°C to +75°C

This is a RoHS compliant product.

Connector Code -XX-	Description	P / N
AM	SMA Plug	S161AM-868R
AH	SMA Plug Reverse Polarity	S161AH-868R
TC	TNC Plug	S161TC-868R
BC	BNC Plug	S161BC-868R

Series Part Numbers

TITLE	EURO ISM Band Right Angle Antenna -161 Model		Rev. Date	SHEET
			11/02/11	1 OF 1
UNIT	DWG. NO.	S161XX-868R		
in.(mm)				
SCALE				
none				

NEARSON