



Chipsmall Limited consists of a professional team with an average of over 10 year of expertise in the distribution of electronic components. Based in Hongkong, we have already established firm and mutual-benefit business relationships with customers from,Europe,America and south Asia,supplying obsolete and hard-to-find components to meet their specific needs.

With the principle of "Quality Parts,Customers Priority,Honest Operation,and Considerate Service",our business mainly focus on the distribution of electronic components. Line cards we deal with include Microchip,ALPS,ROHM,Xilinx,Pulse,ON,Everlight and Freescale. Main products comprise IC,Modules,Potentiometer,IC Socket,Relay,Connector.Our parts cover such applications as commercial,industrial, and automotives areas.

We are looking forward to setting up business relationship with you and hope to provide you with the best service and solution. Let us make a better world for our industry!



Contact us

Tel: +86-755-8981 8866 Fax: +86-755-8427 6832

Email & Skype: info@chipsmall.com Web: www.chipsmall.com

Address: A1208, Overseas Decoration Building, #122 Zhenhua RD., Futian, Shenzhen, China



Customer Information Sheet

DRAWING No.: S1751FXX

SHEET 2 OF 2

IF IN DOUBT - ASK

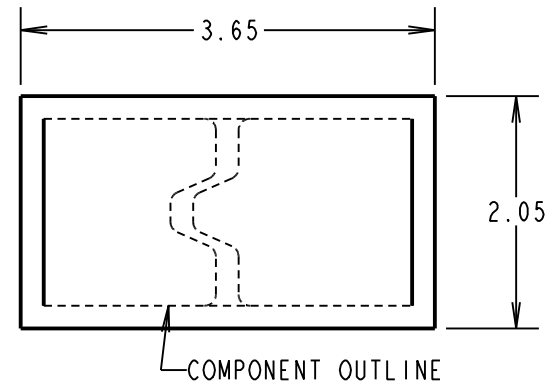
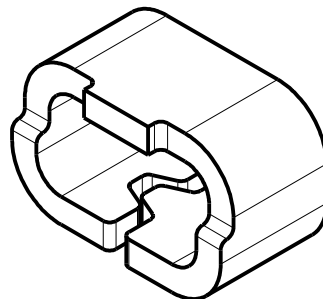
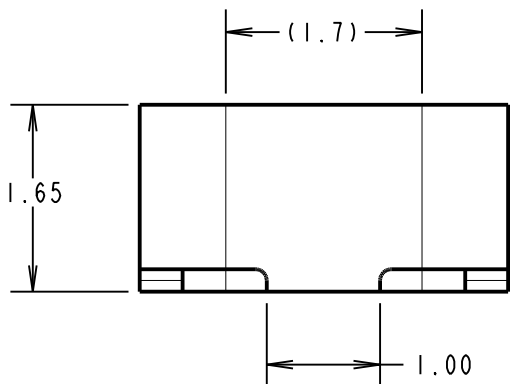


NOT TO SCALE

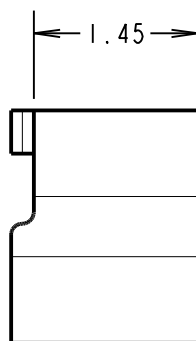
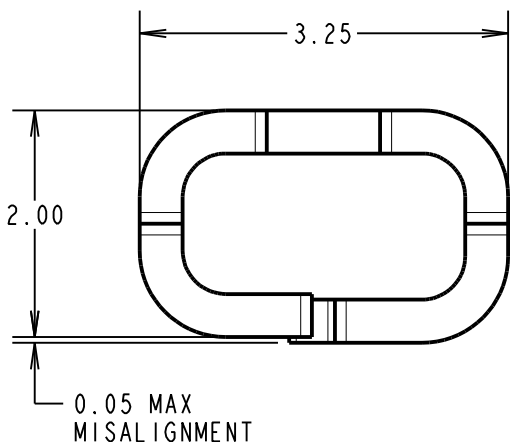
THIRD ANGLE PROJECTION

ALL DIMENSIONS IN mm

NOTES:
1. PACKING: 100 PER BAG.



RECOMMENDED PAD LAYOUT



SPECIFICATIONS:
 MATERIAL = BRASS
 FINISH:
 06 = 4 μ 90/10 TIN/LEAD
 46 = 4 μ 100% TIN
 ELECTRICAL:
 CURRENT RATING = 2A MAX
 CONTACT RESISTANCE = 20m Ω MAX
 ENVIRONMENTAL:
 OPERATING TEMPERATURE = -55°C TO +125°C

HARWIN PART No.	FARNELL PART No.	FINISH
S1751F06	486-1462	4 μ 90/10 TIN/LEAD
S1751F46	102-2338	4 μ 100% TIN

MSP	4	05.11.15	13155
NAME	ISS.	DATE	C/NOTE
APPROVED:		M.PERREN	
CHECKED:		S.BENNETT	
DRAWN:		J. ENRIGHT	
CUSTOMER REF.:			
ASSEMBLY DRG:			

HARWIN

www.harwin.com
technical@harwin.com

THIS DRAWING AND ANY INFORMATION OR DESCRIPTIVE MATTER SET OUT HEREON ARE CONFIDENTIAL AND COPYRIGHT PROPERTY OF THE HARWIN GROUP AND MUST NOT BE DISCLOSED, LOANED, COPIED OR USED FOR MANUFACTURING, TENDERING OR FOR ANY OTHER PURPOSE WITHOUT THEIR WRITTEN PERMISSION.

TOLERANCES
 X. = ± 1 mm
 X.X = ± 0.50 mm
 X.XX = ± 0.10 mm
 X.XXX = ± 0.01 mm
 ANGLES = $\pm 5^\circ$
 UNLESS STATED

MATERIAL:
 BRASS CW505L TO BS EN 1652 (CuZn30) [BRM1618]
 FINISH: SEE TABLE
 S/AREA: mm²

TITLE:
 SURFACE MOUNT TEST TERMINAL (LOOSE)

DRAWING NUMBER:
S1751FXX

SHT
 2 OF 2