



Chipsmall Limited consists of a professional team with an average of over 10 year of expertise in the distribution of electronic components. Based in Hongkong, we have already established firm and mutual-benefit business relationships with customers from,Europe,America and south Asia,supplying obsolete and hard-to-find components to meet their specific needs.

With the principle of “Quality Parts,Customers Priority,Honest Operation,and Considerate Service”,our business mainly focus on the distribution of electronic components. Line cards we deal with include Microchip,ALPS,ROHM,Xilinx,Pulse,ON,Everlight and Freescale. Main products comprise IC,Modules,Potentiometer,IC Socket,Relay,Connector.Our parts cover such applications as commercial,industrial, and automotives areas.

We are looking forward to setting up business relationship with you and hope to provide you with the best service and solution. Let us make a better world for our industry!



Contact us

Tel: +86-755-8981 8866 Fax: +86-755-8427 6832

Email & Skype: info@chipsmall.com Web: www.chipsmall.com

Address: A1208, Overseas Decoration Building, #122 Zhenhua RD., Futian, Shenzhen, China



Customer Information Sheet

DRAWING No.: S1761-XXR

SHEET 2 OF 2

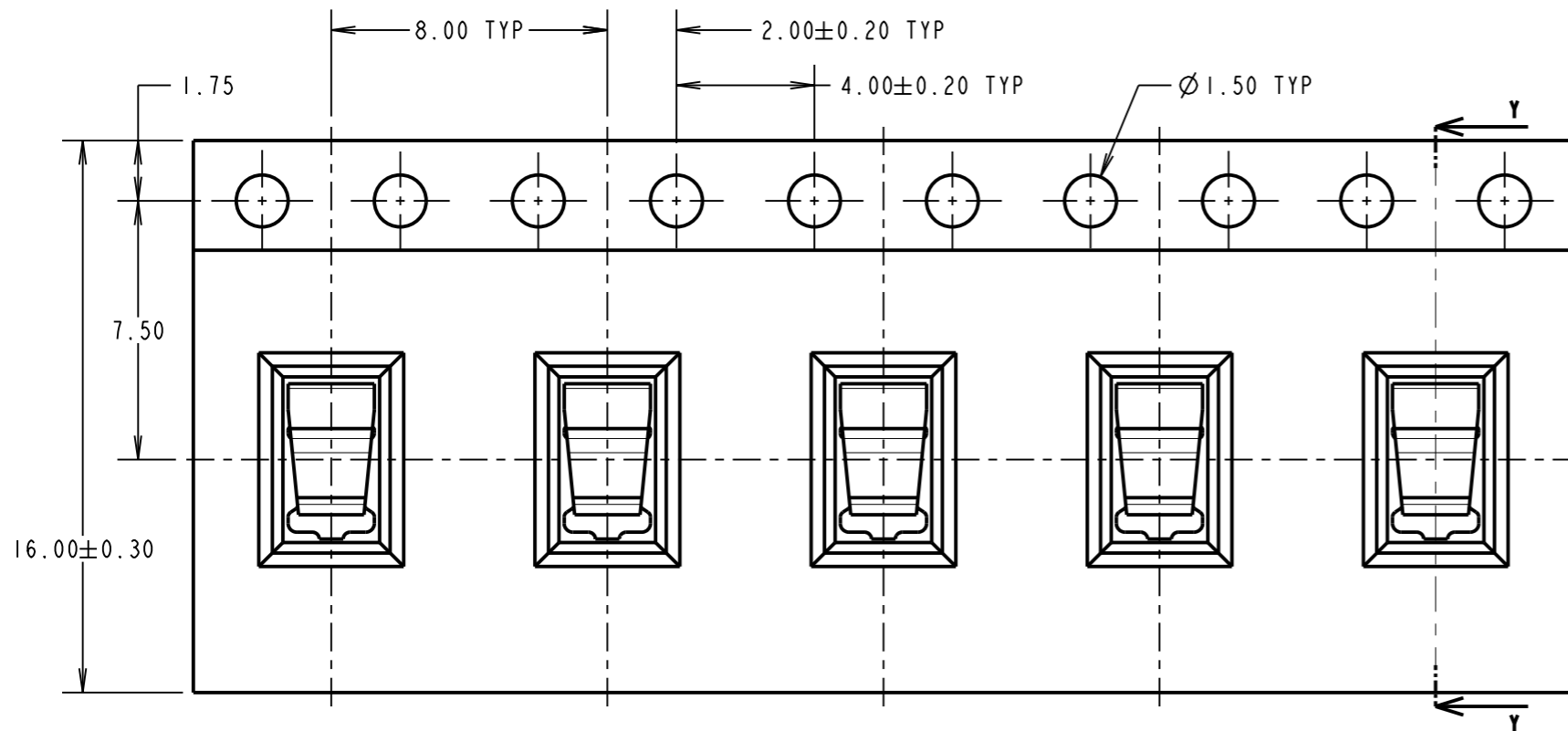
IF IN DOUBT - ASK

©

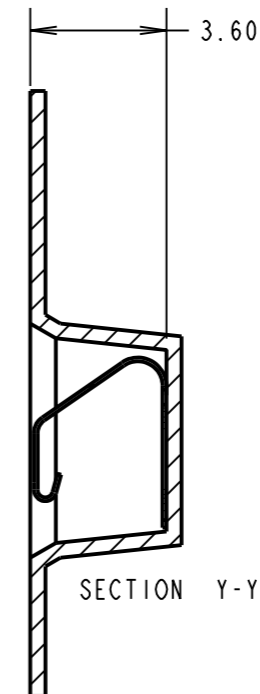
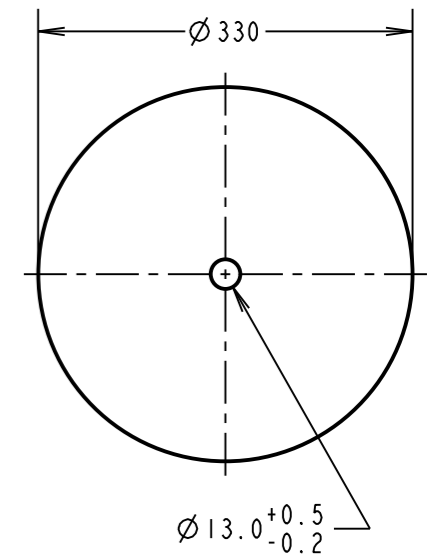
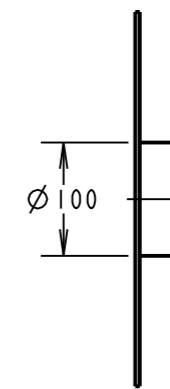
NOT TO SCALE

THIRD ANGLE PROJECTION

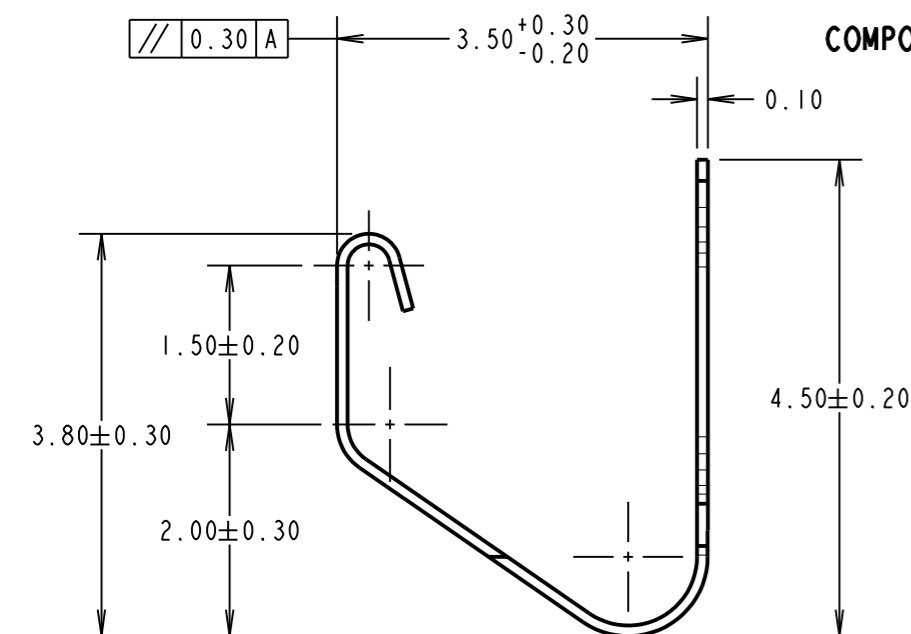
ALL DIMENSIONS IN mm



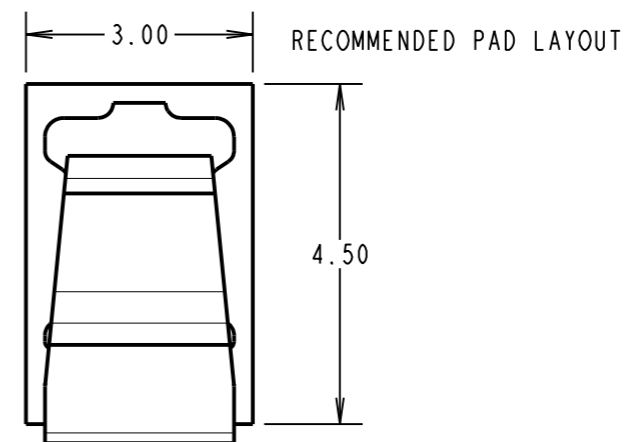
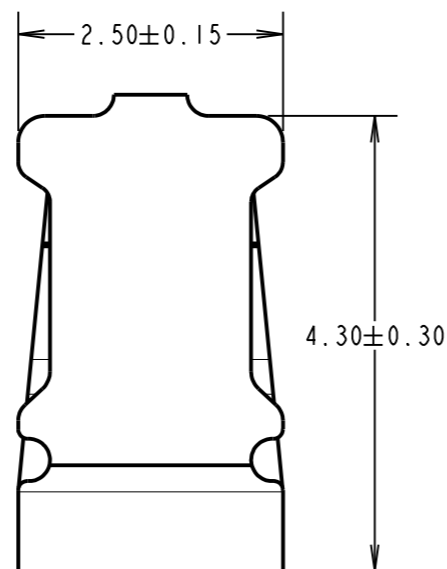
REEL DIMENSIONS



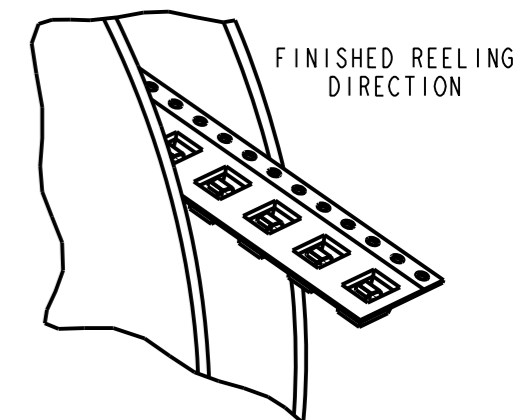
SECTION Y-Y



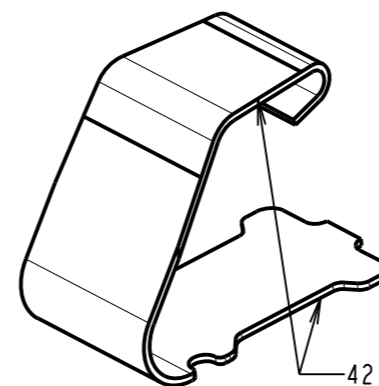
COMPONENT DETAILS



RECOMMENDED PAD LAYOUT



FINISHED REELING DIRECTION



42 FINISH: GOLD PLATED AREA

ORDER CODE:
S1761-XXR
FINISH:
42 = NICKEL ALL OVER,
GOLD FLASH ON CONTACT AREA
TIN ON FOOT AREA
46 = TIN OVER NICKEL ALL OVER

NOTES:
1. QUANTITY PER REEL = 2000.

COMPONENT SPECIFICATION:
MATERIAL = TITANIUM COPPER ALLOY.
FINISH:
42 = 0.76-1.27µ NICKEL ALL OVER,
0.05µ GOLD FLASH ON CONTACT AREA,
2.54µ MIN 100% TIN ON FOOT AREA
46 = 2.54µ MIN 100% TIN OVER 0.76-1.27µ NICKEL
RECOMMENDED WORKING HEIGHT = 2.50mm / MIN FORCE = 1.5N
MINIMUM WORKING HEIGHT = 1.75mm / MAX FORCE = 8.5N
ELECTRICAL:
CURRENT RATING = 4A
MECHANICAL:
DURABILITY = 1500 CYCLES
ENVIRONMENTAL:
OPERATING TEMPERATURE = -55°C TO +125°C

MSP	9	23.21.16	20304
NAME	ISS.	DATE	C/NOTE
APPROVED:		M.PERREN	
CHECKED:		S.BENNETT	
DRAWN:		N. CODLING	
CUSTOMER REF.:			
ASSEMBLY DRG:			

HARWIN

www.harwin.com
technical@harwin.com

THIS DRAWING AND ANY INFORMATION OR DESCRIPTIVE MATTER SET OUT HEREON ARE CONFIDENTIAL AND COPYRIGHT PROPERTY OF THE HARWIN GROUP AND MUST NOT BE DISCLOSED, LOANED, COPIED OR USED FOR MANUFACTURING, TENDERING OR FOR ANY OTHER PURPOSE WITHOUT THEIR WRITTEN PERMISSION.

TOLERANCES
X. = ±1mm
X.X = ±0.25mm
X.XX = ±0.10mm
X.XXX = ±0.01mm
ANGLES = ±5°
UNLESS STATED

MATERIAL: SEE ABOVE
FINISH: SEE ABOVE
S/AREA: mm²

TITLE:
S1761-XX EMI SHIELD FINGER
IN TAPE AND REEL

DRAWING NUMBER:
S1761-XXR
SHT 2 OF 2