



Chipsmall Limited consists of a professional team with an average of over 10 year of expertise in the distribution of electronic components. Based in Hongkong, we have already established firm and mutual-benefit business relationships with customers from,Europe,America and south Asia,supplying obsolete and hard-to-find components to meet their specific needs.

With the principle of “Quality Parts,Customers Priority,Honest Operation,and Considerate Service”,our business mainly focus on the distribution of electronic components. Line cards we deal with include Microchip,ALPS,ROHM,Xilinx,Pulse,ON,Everlight and Freescale. Main products comprise IC,Modules,Potentiometer,IC Socket,Relay,Connector.Our parts cover such applications as commercial,industrial, and automotives areas.

We are looking forward to setting up business relationship with you and hope to provide you with the best service and solution. Let us make a better world for our industry!



## Contact us

Tel: +86-755-8981 8866 Fax: +86-755-8427 6832

Email & Skype: info@chipsmall.com Web: www.chipsmall.com

Address: A1208, Overseas Decoration Building, #122 Zhenhua RD., Futian, Shenzhen, China



# Customer Information Sheet

DRAWING No.: S1911-46R

SHEET 2 OF 2

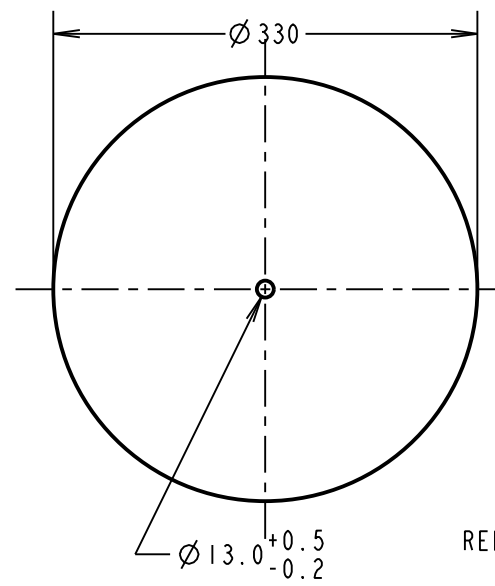
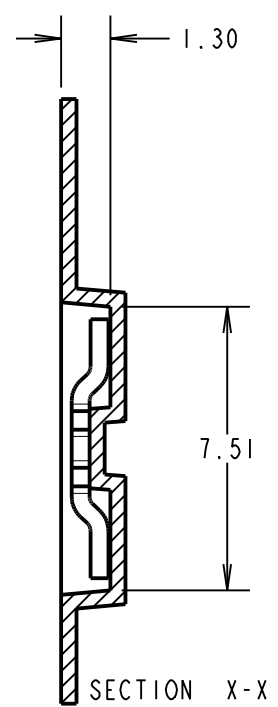
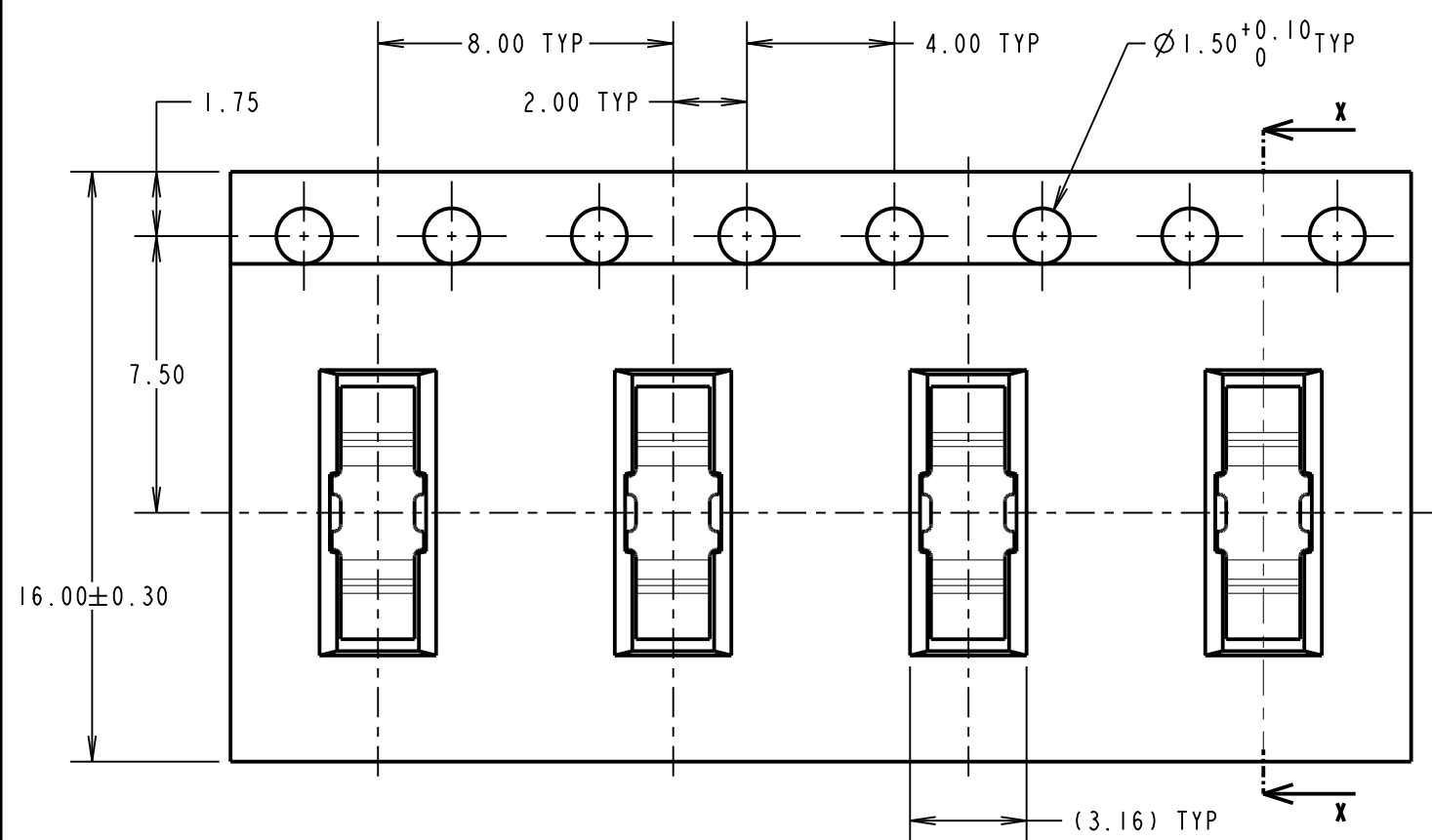
IF IN DOUBT - ASK

©

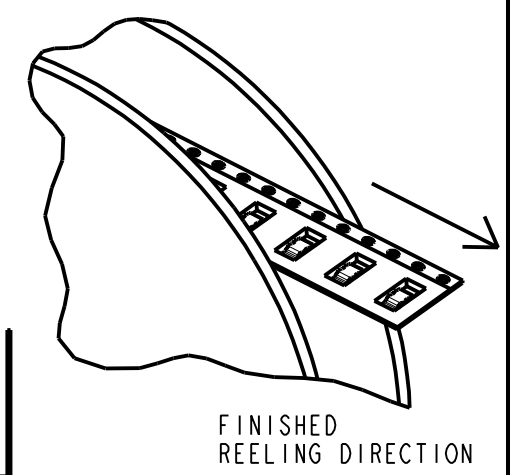
NOT TO SCALE

THIRD ANGLE PROJECTION

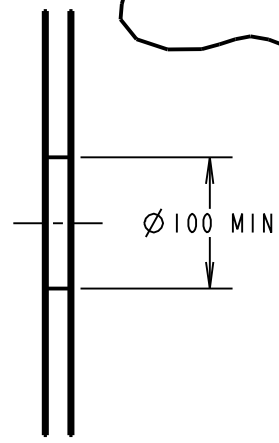
ALL DIMENSIONS IN mm



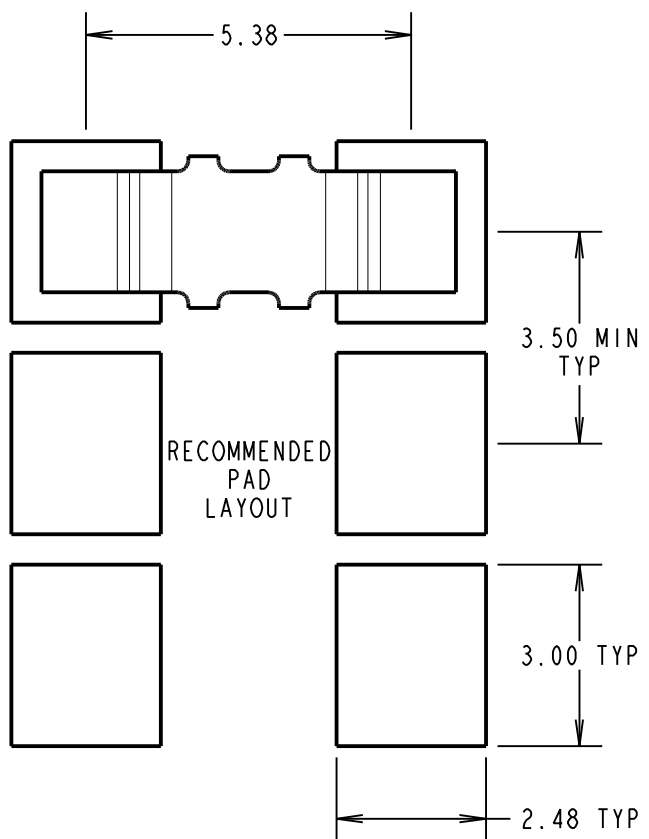
REEL DIMENSIONS



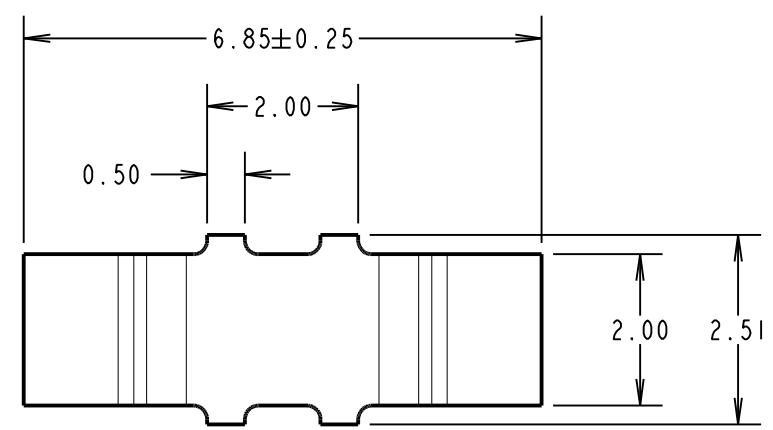
FINISHED REELING DIRECTION



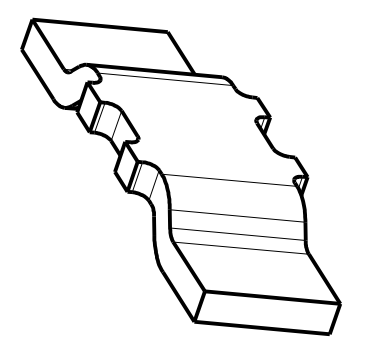
- NOTES:  
 1. QUANTITY OF COMPONENTS PER REEL = 4,000.  
 2. THIS PRODUCT IS TAPED AND REELED IN GENERAL ACCORDANCE WITH EIA-481 (ELECTRONIC INDUSTRIES ASSOCIATION).



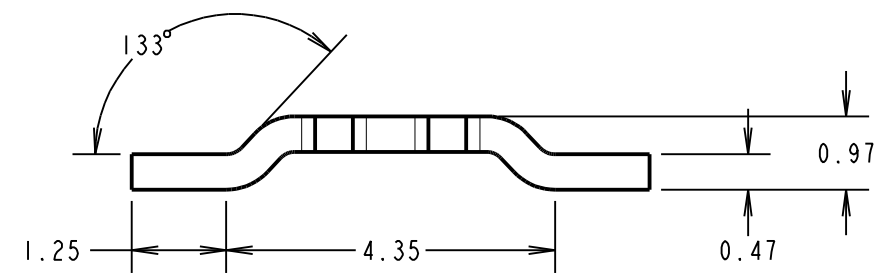
COMPONENT SPECIFICATION:  
 MATERIAL = BRASS CW508L  
 H110 TO BS EN 1652  
 COMPOSITION (IN ACCORDANCE WITH BS EN 1652)  
 FINISH = 100% TIN OVER NICKEL  
 ELECTRICAL:  
 CURRENT RATING = 10A (30°C TEMP RISE)  
 CONTACT RESISTANCE = 20mΩ MAX  
 ENVIRONMENTAL:  
 OPERATING TEMPERATURE = -40°C TO +125°C



SINGLE COMPONENT DIMENSIONS



ISOMETRIC VIEW OF SINGLE COMPONENT



MSP	5	16.10.15	13113
NAME	ISS.	DATE	C/NOTE
APPROVED:		M.PERREN	
CHECKED:		S.BENNETT	
DRAWN:		S.BENNETT	
CUSTOMER REF.:			
ASSEMBLY DRG:			

**HARWIN**  
 www.harwin.com  
 technical@harwin.com

THIS DRAWING AND ANY INFORMATION OR DESCRIPTIVE MATTER SET OUT HEREON ARE CONFIDENTIAL AND COPYRIGHT PROPERTY OF THE HARWIN GROUP AND MUST NOT BE DISCLOSED, LOANED, COPIED OR USED FOR MANUFACTURING, TENDERING OR FOR ANY OTHER PURPOSE WITHOUT THEIR WRITTEN PERMISSION.

TOLERANCES  
 X. = ±1mm  
 X.X = ±0.50mm  
 X.XX = ±0.10mm  
 X.XXX = ±0.01mm  
 ANGLES = ±5°  
 UNLESS STATED

MATERIAL: SEE ABOVE  
 FINISH: SEE ABOVE  
 S/AREA: SEE ABOVE mm<sup>2</sup>

TITLE: SMT JUMPER LINK (TAPE AND REELED)  
 DRAWING NUMBER: S1911-46R  
 SHT 2 OF 2